

PROFILE SECTIONS PROFILE SERIES MINI AND 30

PROFILE SERIES MINI



**19 x 11**  
20.1074/0



**19 x 19**  
20.1075/0



**Profilex s.a.**  
 6b, Z.I. In den Allern  
 L-9911 Troisvierges  
 Phone LU : +352 99 89 06  
 Phone BE : +32 28 88 16 29  
 Fax : +352 26 95 73 73  
[info@profilex-systems.com](mailto:info@profilex-systems.com)  
[www.profilex-systems.com](http://www.profilex-systems.com)

PROFILE SERIES 30



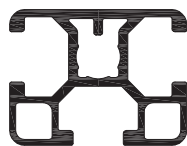
**23 x 16**  
20.1115/0



**16 x 30**  
20.0983/0



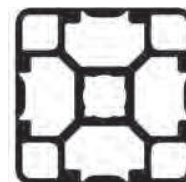
**23 x 23**  
20.1116/0



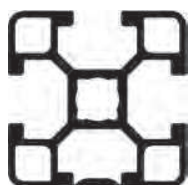
**23 x 30**  
20.1117/0



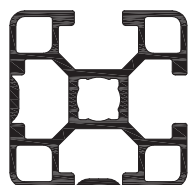
**30 x 30**  
20.1068/0



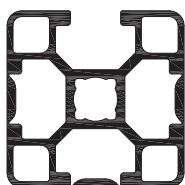
**30 x 30 G**  
20.1141/0



**30 x 30 1G**  
20.1139/0



**30 x 30 2G**  
20.1124/0



**30 x 30 3G**  
20.1085/0



**30 R 90°**  
20.1125/0



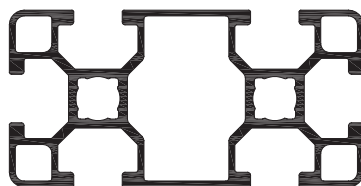
**30 R 60°**  
20.1136/0



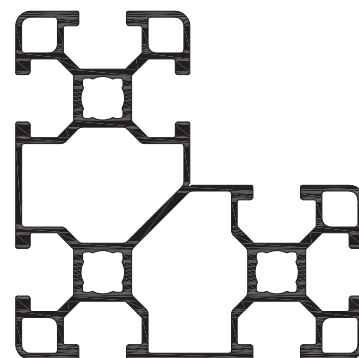
**30 R 45°**  
20.1135/0



**30 R 30°**  
20.1134/0



**30 x 60**  
20.0994/0



**60 x 60 x 30**  
20.0982/0

PROFILE SECTIONS PROFILE SERIES 45



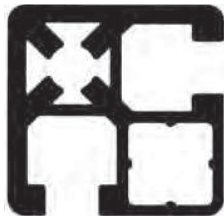
**19 x 32**  
20.1000/0



**19 x 45**  
20.1001/0



**45 x 19**  
20.0993/0



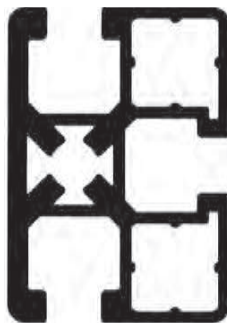
**32 x 32 UL**  
20.1064/0



**32 x 32 F**  
20.1054/0



**Clamp profile 32 x 32**  
20.1070/0



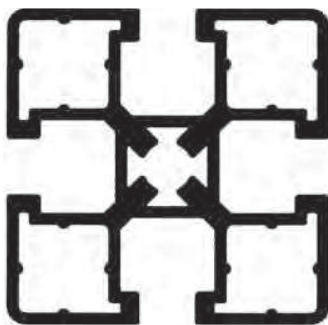
**45 x 32 UL**  
20.1065/0



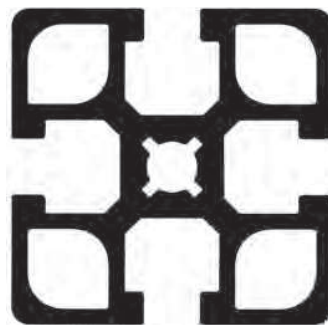
**45 x 32 F**  
20.1055/0



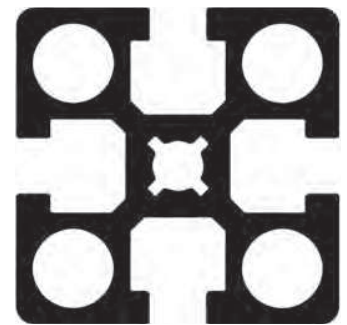
**Clamp profile 45 x 32**  
20.1053/0



**45 x 45 UL**  
20.1063/0

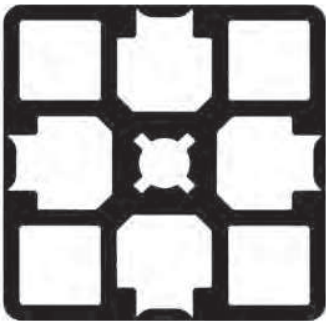


**45 x 45 F**  
20.1033/0

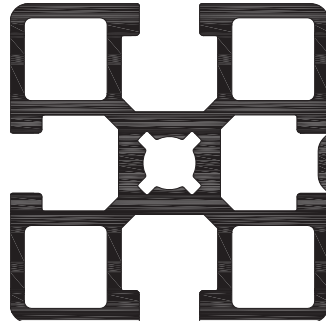


**45 x 45**  
20.1006/0

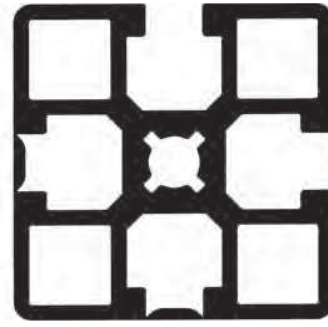
PROFILE SECTIONS PROFILE SERIES 45



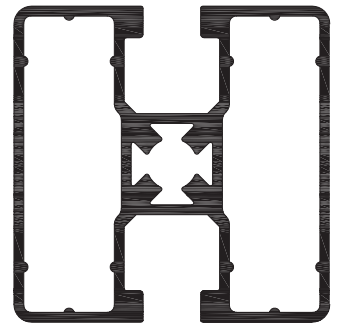
**45 x 45 G**  
20.1028/0



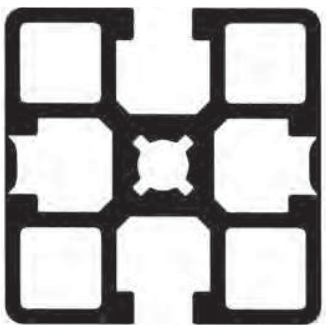
**45 x 45 1G**  
20.1126/0



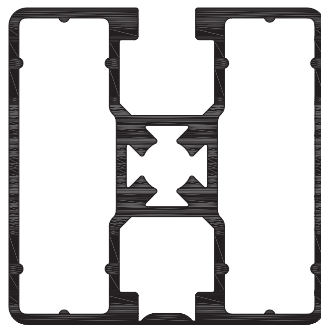
**45 x 45 2G**  
20.1072/0



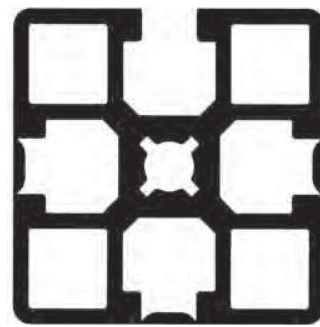
**45 x 45 UL 2GG**  
20.1122/0



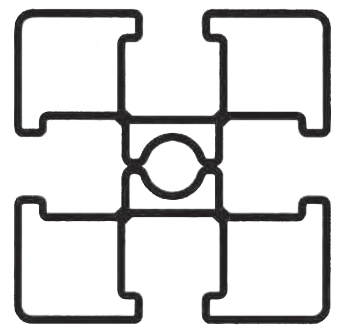
**45 x 45 2GG**  
20.1099/0



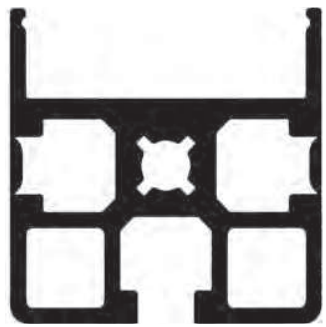
**45 x 45 UL 3G**  
20.1123/0



**45 x 45 3G**  
20.1048/0



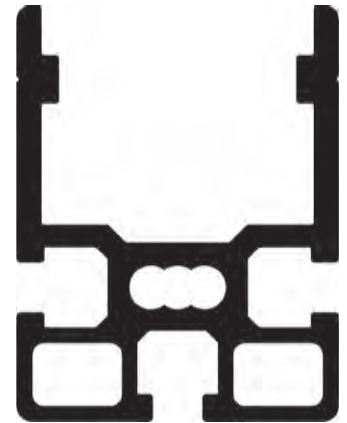
**45 x 45 VA**  
20.2000/0



**45 x 45 R**  
20.1046/0



**Cover profile  
for 45 x 45 R**  
20.1037/0



**Profile height  
adjustable**  
20.1143/0

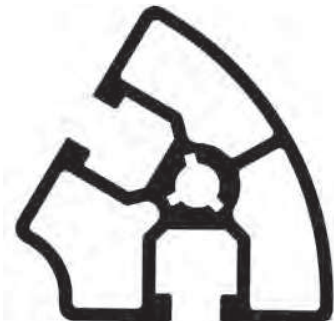


**45 R 4**  
20.1120/0



**45 R 90°**  
20.1069/0

PROFILE SECTIONS PROFILE SERIES 45



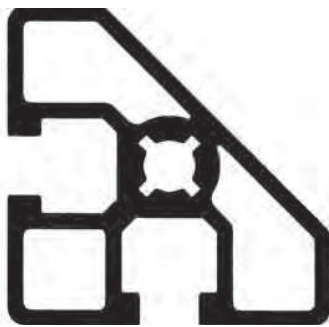
**45 R 60°**  
20.1096/0



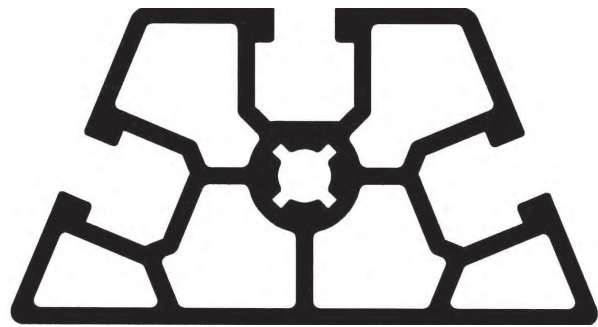
**45 R 45°**  
20.1095/0



**45 R 30°**  
20.1094/0



**45/45°**  
20.1029/0



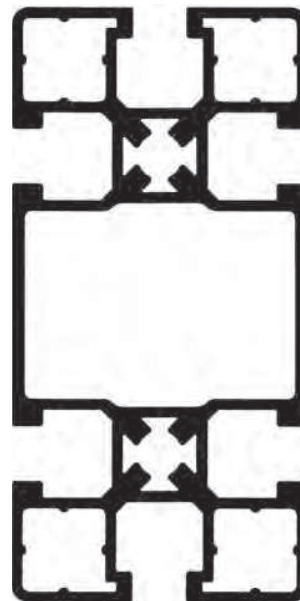
**45/22,5°**  
20.1030/0



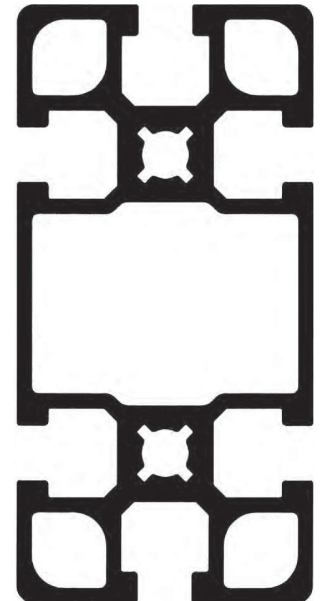
**19 x 90**  
20.0995/0



**90 x 32 UL**  
20.1066/0

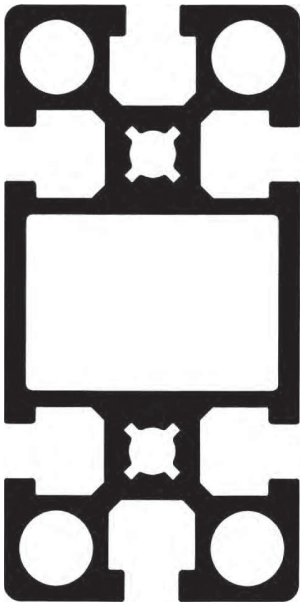


**45 x 90 UL**  
20.1067/0

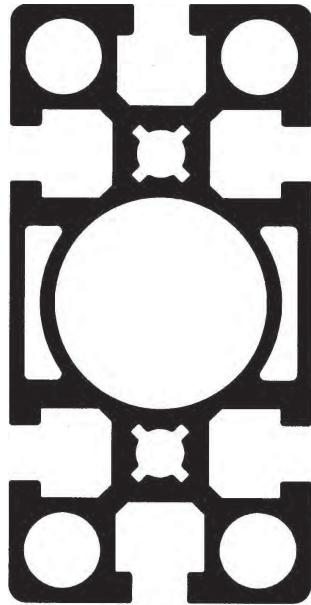


**45 x 90 F**  
20.1032/0

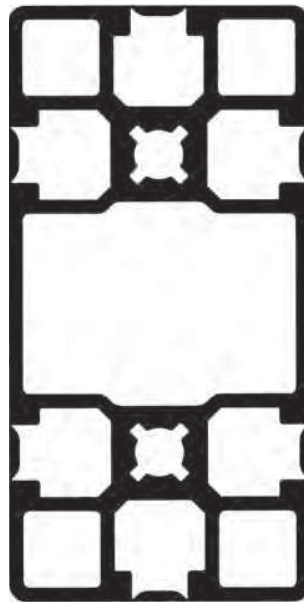
PROFILE SECTIONS PROFILE SERIES 45



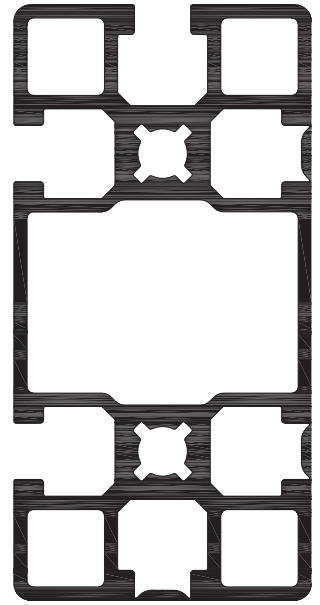
**45 x 90**  
20.1009/0



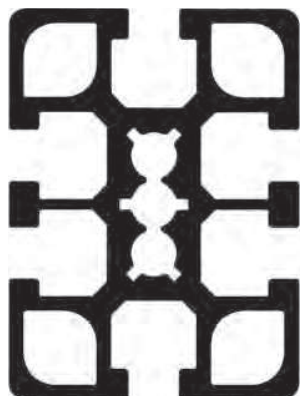
**45 x 90 S**  
20.1017/0



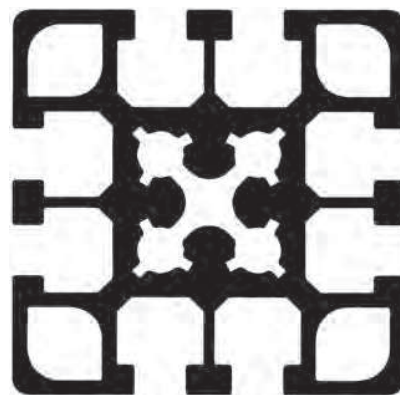
**45 x 90 G**  
20.1015/0



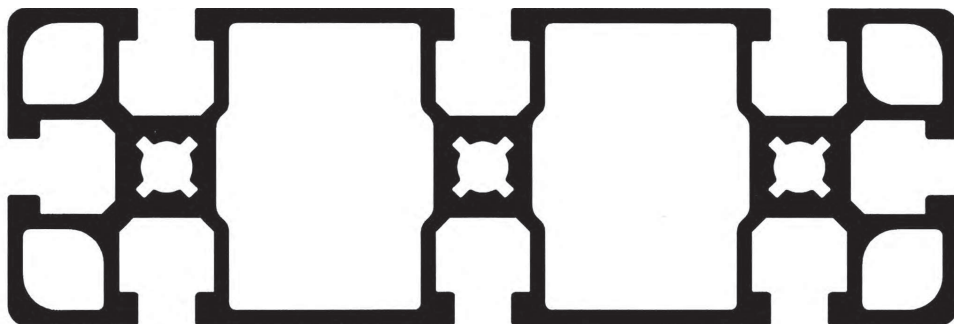
**45 x 90 2G**  
20.1081/0



**45 x 60 F**  
20.1023/0



**60 x 60 F**  
20.1049/0

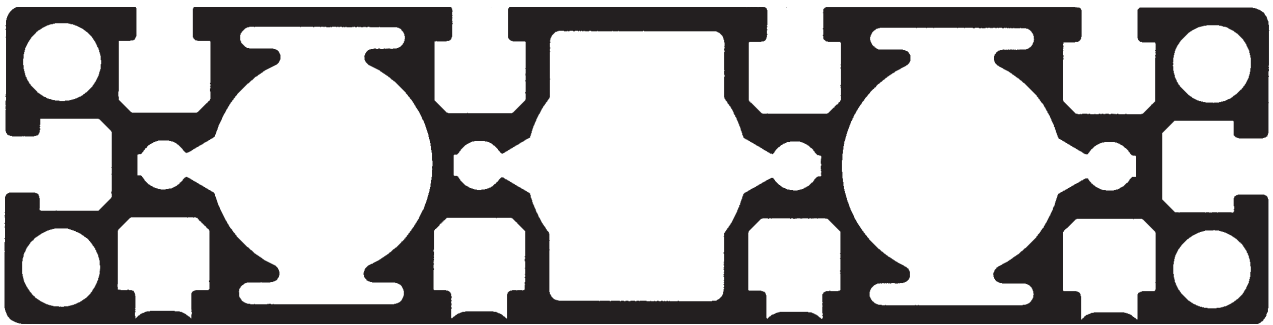


**45 x 135 F**  
20.1087/0

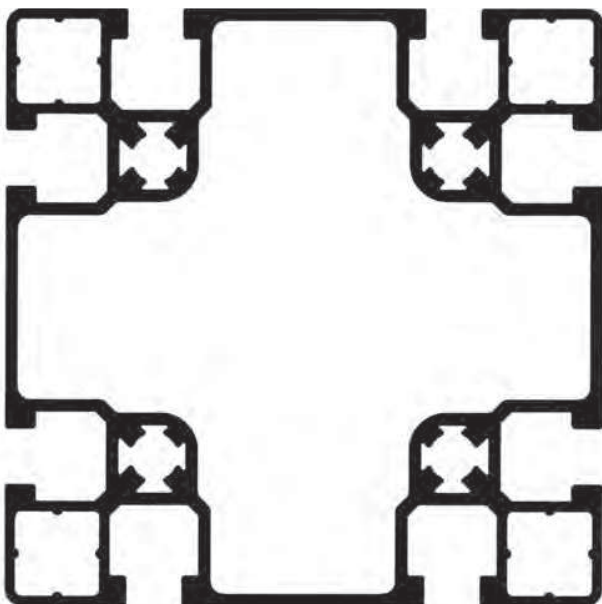
PROFILE SECTIONS PROFILE SERIES 45



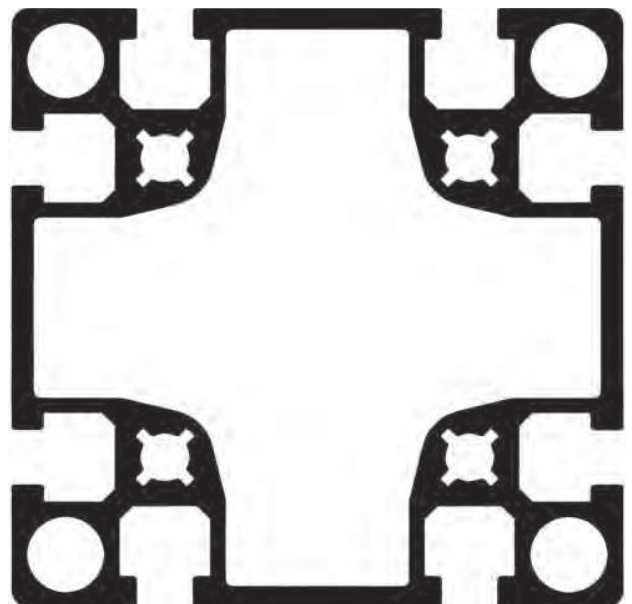
45 x 135 1G  
20.1078/0



45 x 180 1G  
20.1079/0

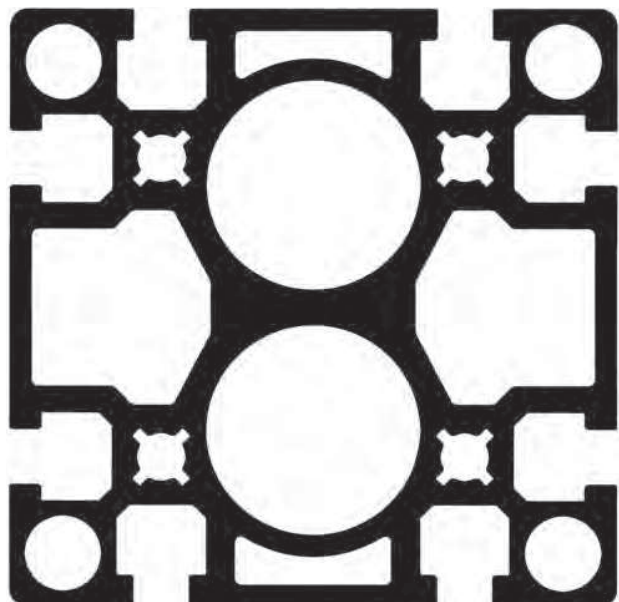


90 x 90 UL  
20.0999/0

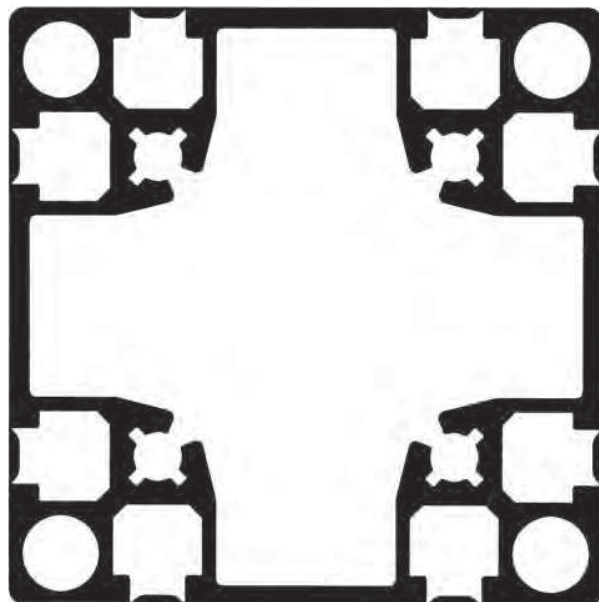


90 x 90 L  
20.1010/0

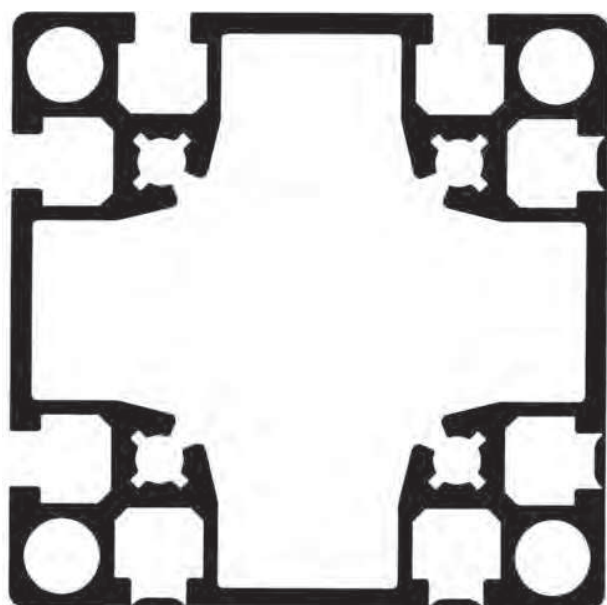
PROFILE SECTIONS PROFILE SERIES 45



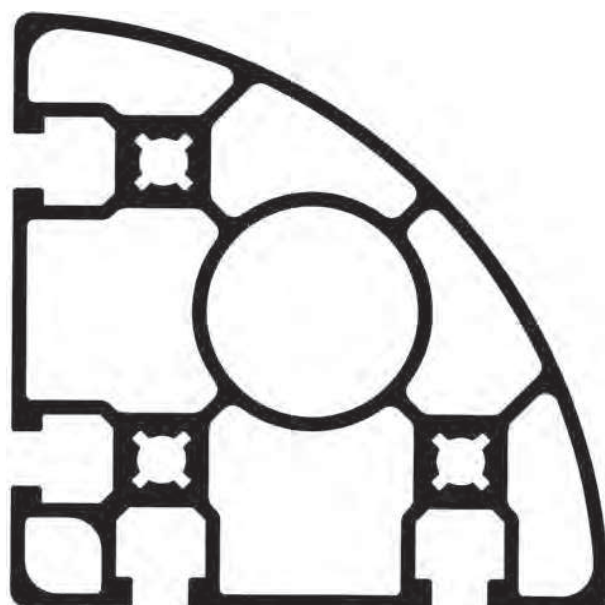
**90 x 90 S**  
20.1019/0



**90 x 90 G**  
20.1082/0

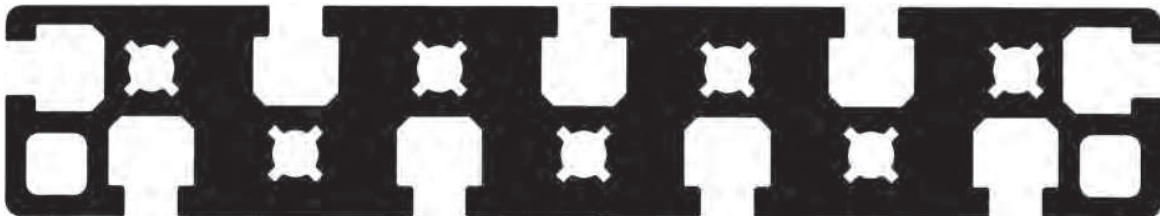


**90 x 90 2G**  
20.1044/0

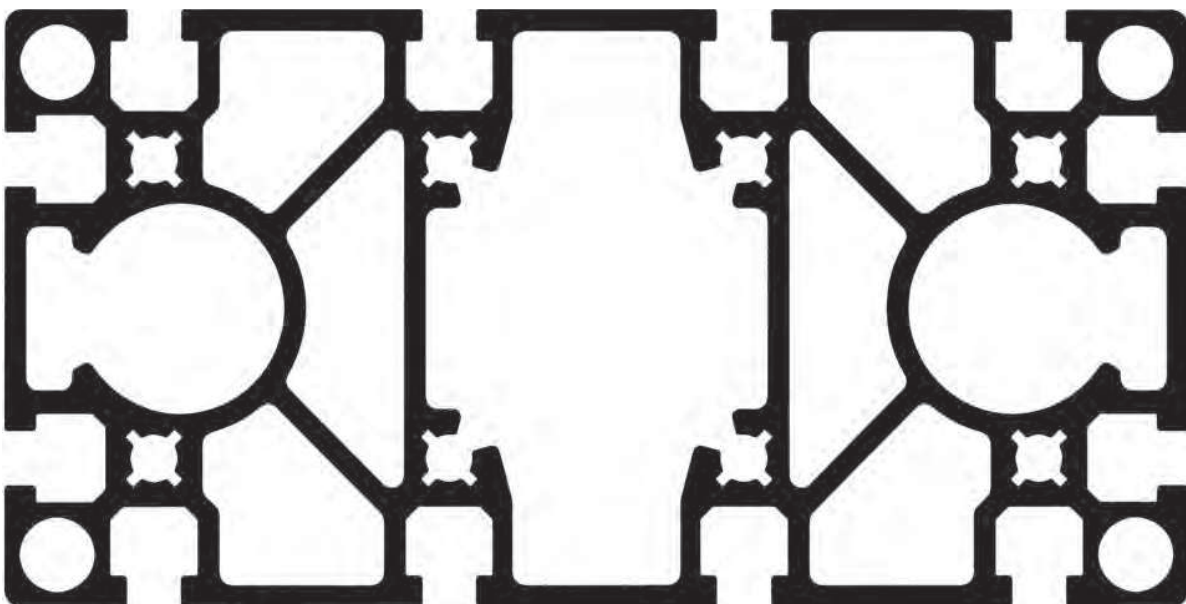


**90 R 90°**  
20.1091/0

PROFILE SECTIONS PROFILE SERIES 45



**32 x 180**  
20.1016/0



**90 x 180 S**  
20.1013/0



PROFILE SECTIONS PROFILE SERIES 45



**Handle profile**  
20.1045/0



**Handle profile 32**  
20.1088/0



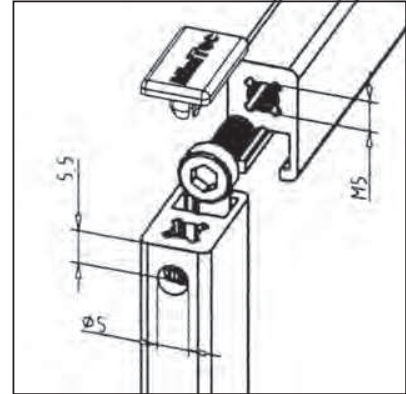
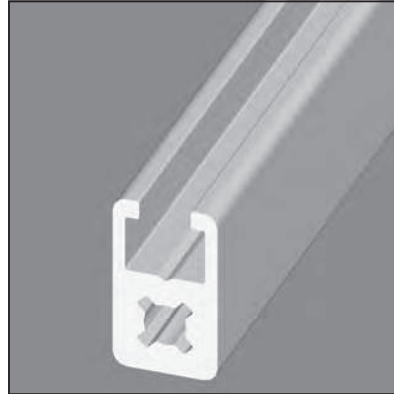
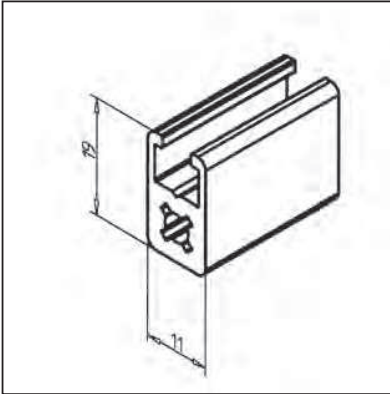
**Angular profile 89 x 89**  
20.1011/0

**270 x 19**  
20.1077/0



## PROFILE 19 X 11

part no. 20.1074/0



### TECHN. DATA / ITEMS SUPPLIED

- lx =	0,327 cm <sup>4</sup>
- ly =	0,166 cm <sup>4</sup>
- wx =	0,287 cm <sup>3</sup>
- wy =	0,302 cm <sup>3</sup>
- Slot dimension and core hole for thread M5	
- Weight	0,326 kg/m
- Length	6 m

### APPLICATIONS

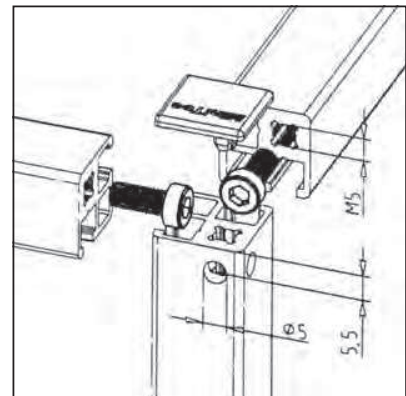
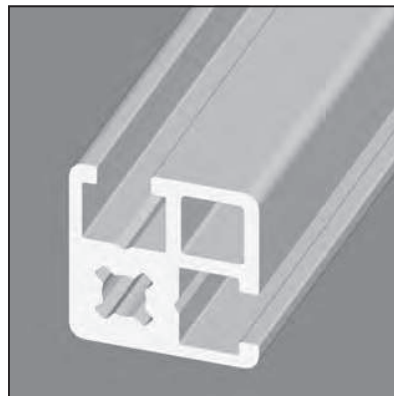
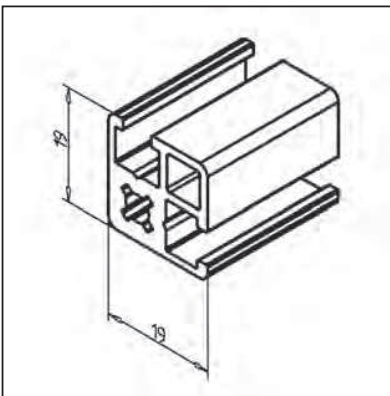
- Small guards and constructions
- Suitable end cap grey: **part no. 22.1030/1**

### ASSEMBLY

- Screw-connection 11, **part no. 21.1574/1**
- Square nut M5 for profile series MINI **part no. 21.1382/0**

## PROFILE 19 X 19

part no. 20.1075/0



### TECHN. DATA / ITEMS SUPPLIED

- lx =	0,570 cm <sup>4</sup>
- ly =	0,570 cm <sup>4</sup>
- wx =	0,543 cm <sup>3</sup>
- wy =	0,543 cm <sup>3</sup>
- Slot dimension and core hole for thread M5	
- Weight	0,460 kg/m
- Length	6 m

### APPLICATIONS

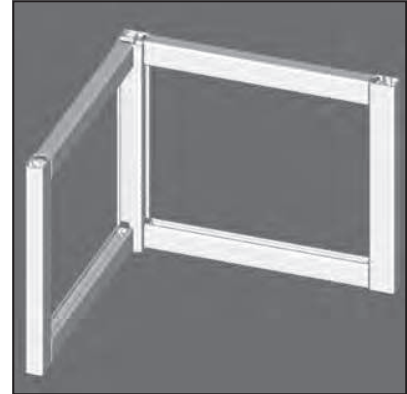
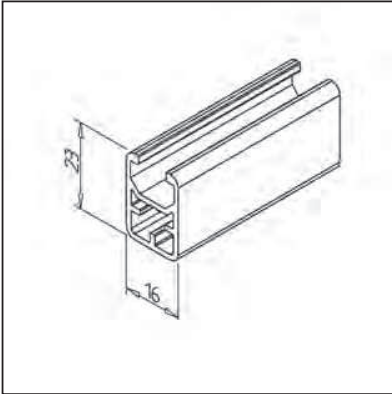
- Small guards and constructions in which very small profiles are required
- Suitable end cap grey: **part no. 22.1031/1**

### ASSEMBLY

- Screw-connection 11, **part no. 21.1574/1**
- Square nut M5 for profile series MINI **part no. 21.1382/0**

## PROFILE 23 X 16

part no. 20.1115/0



### TECHN. DATA / ITEMS SUPPLIED

- Ix =	0,602 cm <sup>4</sup>
- Iy =	0,442 cm <sup>4</sup>
- wx =	0,472 cm <sup>3</sup>
- wy =	0,552 cm <sup>3</sup>
- Weight	0,341 kg/m
- Length	6 m
- Packing unit	72 m

### APPLICATIONS

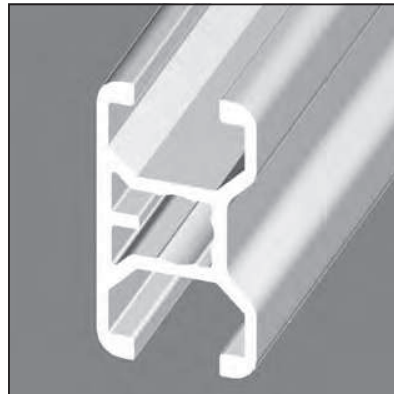
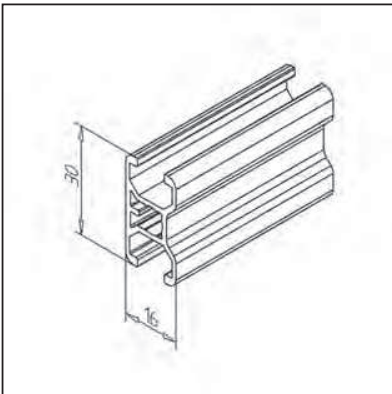
- Light constructions such as holders, protective devices, etc.

### ASSEMBLY

- Power-lock fastener 30 / N 30
- Mitre connector 30
- Screw connection 30
- Angle 16
- Mount to this profile using square nuts 30 available in M4 / M5 / M6 / M8

## PROFILE 16 X 30

part no. 20.0983/0



### TECHN. DATA / ITEMS SUPPLIED

- Ix =	1,008 cm <sup>4</sup>
- Iy =	0,479 cm <sup>4</sup>
- wx =	0,672 cm <sup>3</sup>
- wy =	0,544 cm <sup>3</sup>
- Weight	0,382 kg/m
- Length	6 m
- Packing unit	72 m

### APPLICATIONS

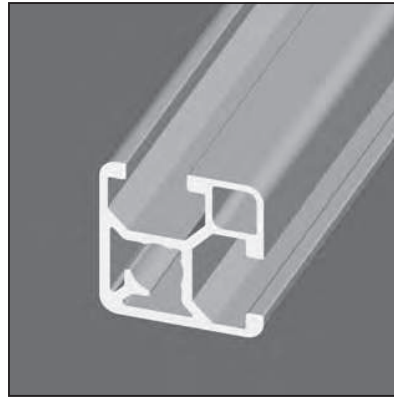
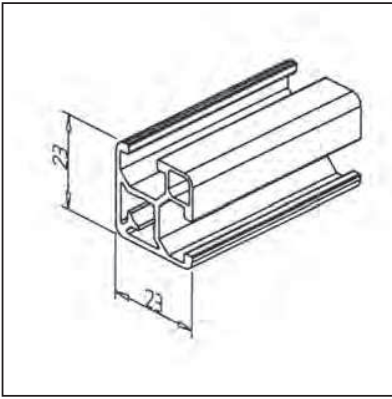
- Light constructions such as holders, protective devices, etc.

### ASSEMBLY

- Power-lock fastener 30 / N 30
- Mitre connector 30
- Screw connection 30
- Angle 16
- Mount to this profile using square nuts 30 available in M4 / M5 / M6 / M8

**PROFILE 23 X 23**

part no. 20.1116/0

**TECHN. DATA / ITEMS SUPPLIED**

- Ix =	0,921 cm <sup>4</sup>
- Iy =	0,921 cm <sup>4</sup>
- wx =	0,729 cm <sup>3</sup>
- wy =	0,729 cm <sup>3</sup>
- Weight	0,443 kg/m
- Length	6 m
- Packing unit	72 m

**APPLICATIONS**

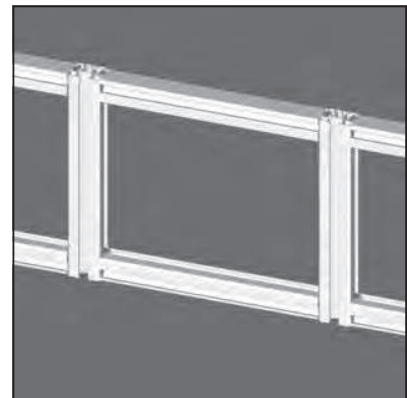
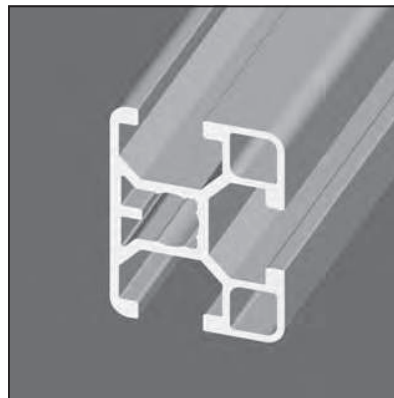
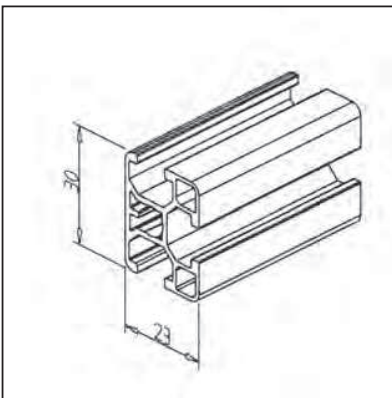
- Light constructions such as holders, protective devices, etc.

**ASSEMBLY**

- Power-lock fastener 30 / N 30  
 - Mitre connector 30  
 - Screw connection 30  
 - Angle 16  
 - Mount to this profile using square nuts 30 available in M4 / M5 / M6 / M8

**PROFILE 23 X 30**

part no. 20.1117/0

**TECHN. DATA / ITEMS SUPPLIED**

- Ix =	1,565 cm <sup>4</sup>
- Iy =	1,187 cm <sup>4</sup>
- wx =	1,043 cm <sup>3</sup>
- wy =	0,975 cm <sup>3</sup>
- Weight	0,524 kg/m
- Length	6 m
- Packing unit	72 m

**APPLICATIONS**

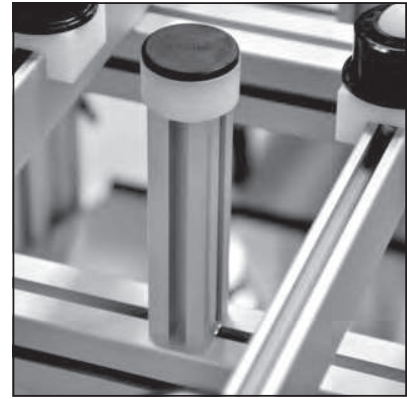
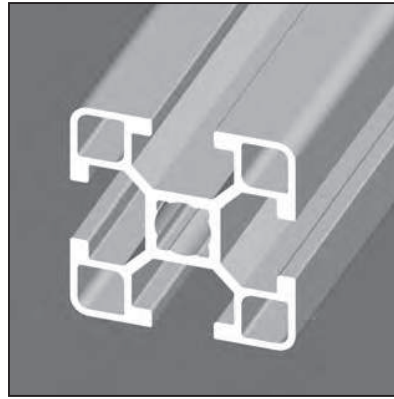
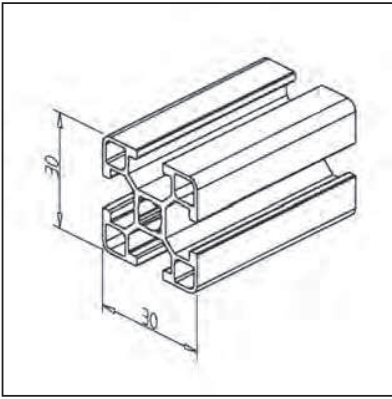
- Light constructions such as holders, protective devices, etc.

**ASSEMBLY**

- Power-lock fastener 30 / N 30  
 - Mitre connector 30  
 - Screw connection 30  
 - Angle 16 / 30  
 - Mount to this profile using square nuts 30 available in M4 / M5 / M6 / M8

## PROFILE 30 X 30

part no. 20.1068/0



### TECHN. DATA / ITEMS SUPPLIED

- Ix =	2,133 cm <sup>4</sup>
- Iy =	2,133 cm <sup>4</sup>
- wx =	1,422 cm <sup>3</sup>
- wy =	1,422 cm <sup>3</sup>
- Weight	0,652 kg/m
- Length	6 m
- Packing unit	54 m

### APPLICATIONS

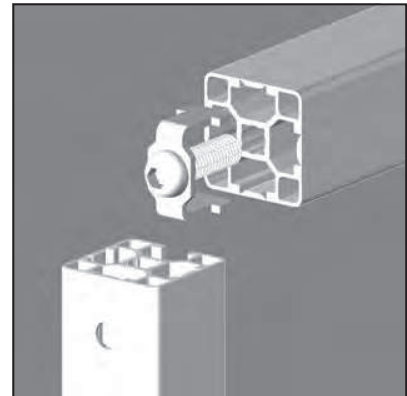
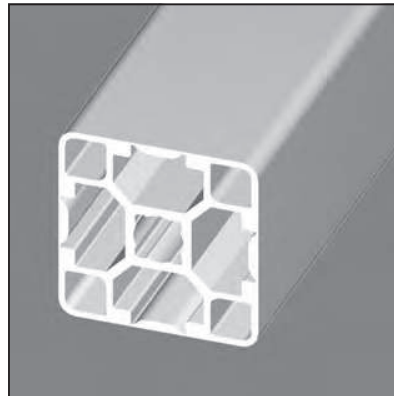
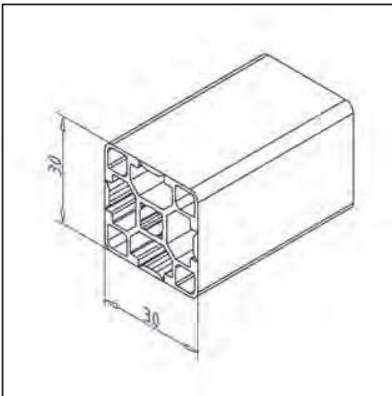
- Light constructions such as holders, protective devices, etc.

### ASSEMBLY

- Power-lock fastener 30 / N 30
- Mitre connector 30
- Screw connection 30
- Angle 16 / 30
- Mount to this profile using square nuts 30 available in M4 / M5 / M6 / M8

## PROFILE 30 X 30 G

part no. 20.1141/0



### TECHN. DATA / ITEMS SUPPLIED

- Ix =	2,554 cm <sup>4</sup>
- Iy =	2,554 cm <sup>4</sup>
- wx =	1,702 cm <sup>3</sup>
- wy =	1,702 cm <sup>3</sup>
- Weight	0,749 kg
- Length	6 m
- Packing unit	54 m

### APPLICATIONS

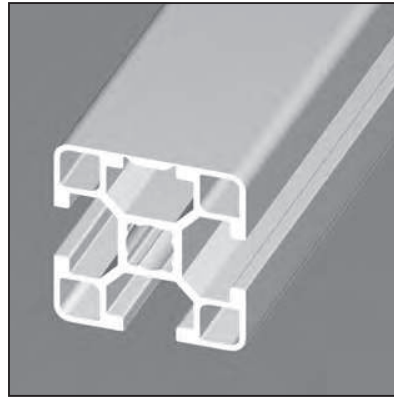
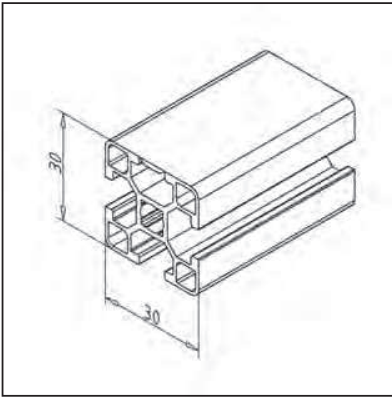
- Light constructions such as holders, protective devices, etc.  
 - Particularly useful in the food industry, in medical engineering and for the filling of beverages, where strict hygienic standards are set

### ASSEMBLY

- Power-lock fastener 30 / N 30
- Mitre connector 30
- Screw connection 30
- Angle 16 / 30
- Mount to this profile using square nuts 30 available in M4 / M5 / M6 / M8

**PROFILE 30 X 30 1G**

part no. 20.1139/0

**TECHN. DATA / ITEMS SUPPLIED**

- I <sub>x</sub> =	2,311 cm <sup>4</sup>
- I <sub>y</sub> =	2,112 cm <sup>4</sup>
- W <sub>x</sub> =	1,481 cm <sup>3</sup>
- W <sub>y</sub> =	1,408 cm <sup>3</sup>
- Weight	0,666 kg/m
- Length	6 m
- Packing unit	54 m

**APPLICATIONS**

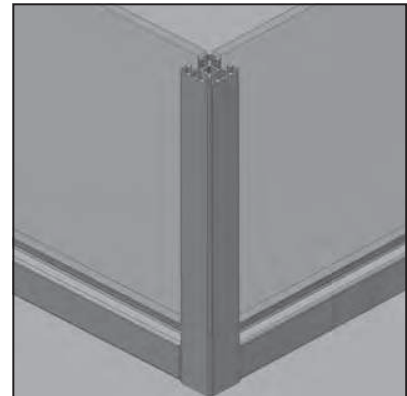
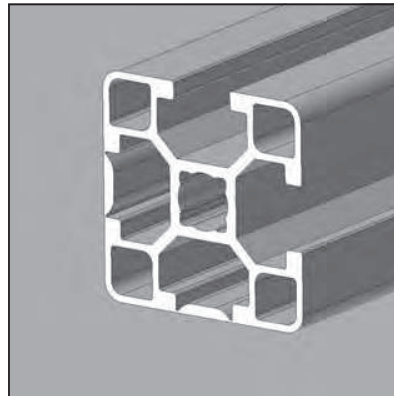
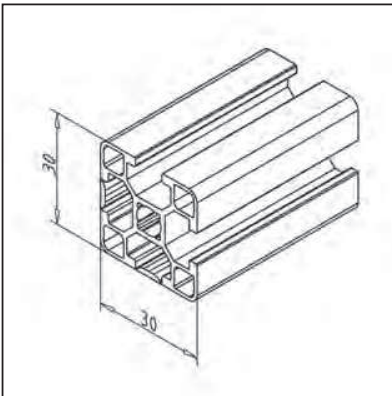
- Light constructions such as holders, protective devices, etc.
- Particularly useful in the food industry, in medical engineering and for the filling of beverages, where strict hygienic standards are set

**ASSEMBLY**

- Power-lock fastener 30 / N 30
- Mitre connector 30
- Screw connection 30
- Angle 16 / 30
- Mount to this profile using square nuts 30 available in M4 / M5 / M6 / M8

**PROFILE 30 X 30 2G**

part no. 20.1124/0

**TECHN. DATA / ITEMS SUPPLIED**

- I <sub>x</sub> =	2,334 cm <sup>4</sup>
- I <sub>y</sub> =	2,334 cm <sup>4</sup>
- W <sub>x</sub> =	1,501 cm <sup>3</sup>
- W <sub>y</sub> =	1,501 cm <sup>3</sup>
- Weight	0,695 kg/m
- Length	6 m
- Packing unit	54 m

**APPLICATIONS**

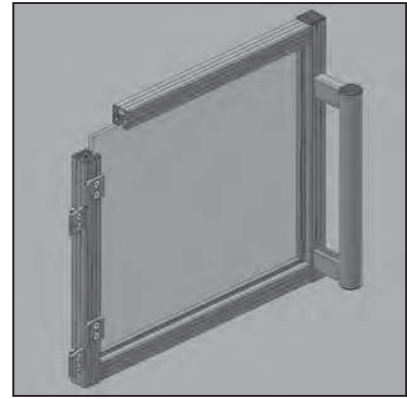
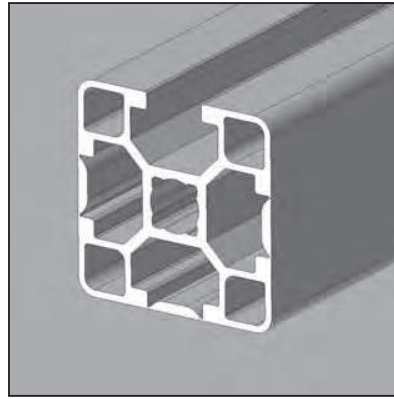
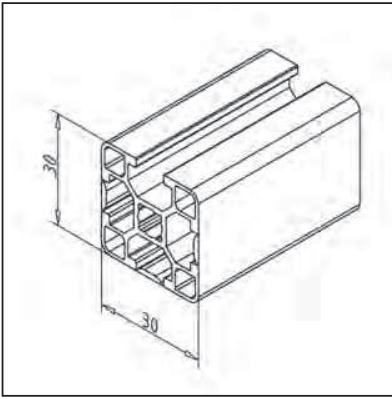
- Light constructions such as holders, protective devices, etc.
- Particularly useful in the food industry, in medical engineering and for the filling of beverages, where strict hygienic standards are set

**ASSEMBLY**

- Power-lock fastener 30 / N 30
- Mitre connector 30
- Screw connection 30
- Angle 16 / 30
- Mount to this profile using square nuts 30 available in M4 / M5 / M6 / M8

## PROFILE 30 X 30 3G

part no. 20.1085/0



### TECHN. DATA / ITEMS SUPPLIED

- Ix =	2,321 cm <sup>4</sup>
- Iy =	2,537 cm <sup>4</sup>
- wx =	1,493 cm <sup>3</sup>
- wy =	1,691 cm <sup>3</sup>
- Weight	0,722 kg/m
- Length	6 m
- Packing unit	54 m

### APPLICATIONS

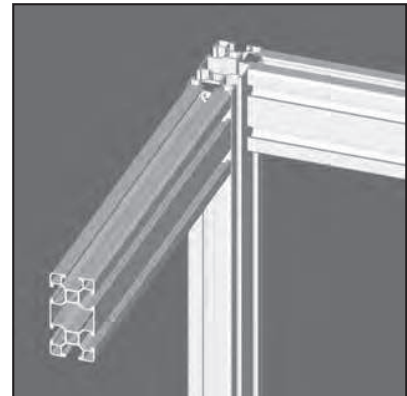
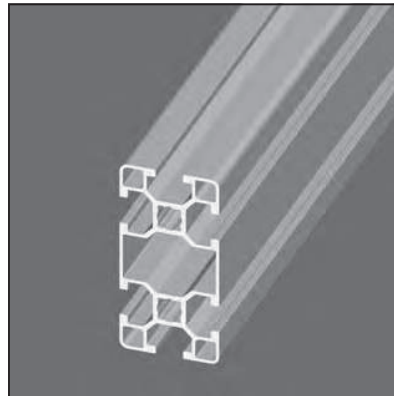
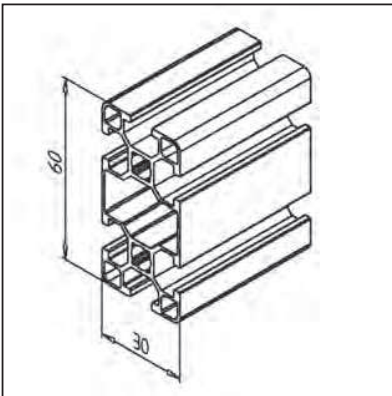
- Light constructions such as holders, protective devices, etc.
- Particularly useful in the food industry, in medical engineering and for the filling of beverages, where strict hygienic standards are set

### ASSEMBLY

- Power-lock fastener 30 / N 30
- Mitre connector 30
- Screw connection 30
- Angle 16 / 30
- Mount to this profile using square nuts 30 available in M4 / M5 / M6 / M8

## PROFILE 30 X 60

part no. 20.0994/0



### TECHN. DATA / ITEMS SUPPLIED

- Ix =	14,898 cm <sup>4</sup>
- Iy =	3,792 cm <sup>4</sup>
- wx =	4,966 cm <sup>3</sup>
- wy =	2,528 cm <sup>3</sup>
- Weight	1,069 kg/m
- Length	6 m
- Packing unit	54 m

### APPLICATIONS

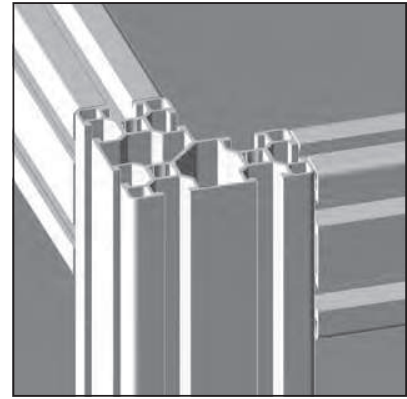
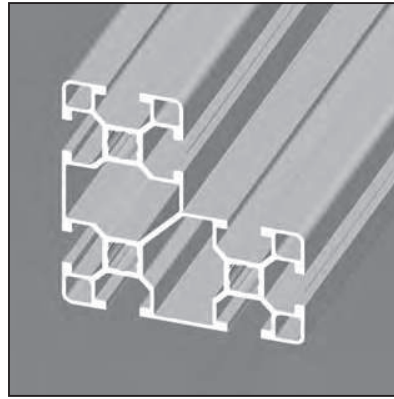
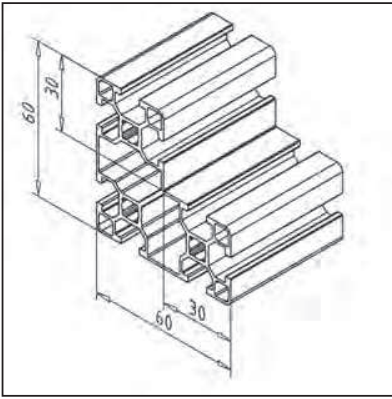
- Light constructions such as holders, protective devices

### ASSEMBLY

- Power-lock fastener 30 / N 30
- Mitre connector 30
- Screw connection 30
- Angle 16 / 30
- Mount to this profile using square nuts 30 available in M4 / M5 / M6 / M8

## PROFILE 60 X 60 X 30

part no. 20.0982/0



### TECHN. DATA / ITEMS SUPPLIED

- I <sub>x</sub> =	19,107 cm <sup>4</sup>
- I <sub>y</sub> =	19,107 cm <sup>4</sup>
- W <sub>x</sub> =	5,572 cm <sup>3</sup>
- W <sub>y</sub> =	5,572 cm <sup>3</sup>
- Weight	1,534 kg/m
- Length	6 m
- Packing unit	36 m

### APPLICATIONS

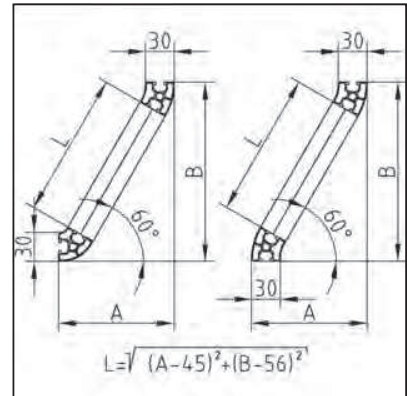
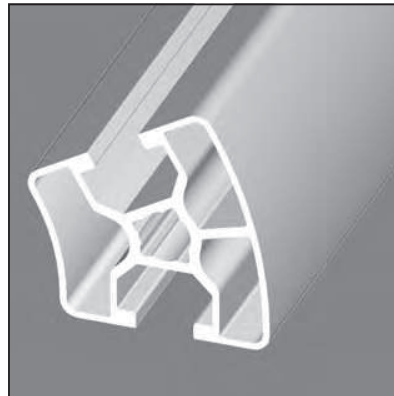
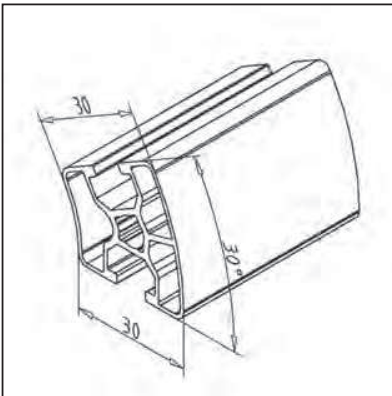
- Light construction
- Tables
- Racks
- Framework constructions
- Bracings

### ASSEMBLY

- Power-lock fastener 30 / N 30
- Mitre connector 30
- Screw connection 30
- Angle 16 / 30
- Mount to this profile using square nuts 30 available in M4 / M5 / M6 / M8

## PROFILE 30 R 30°

part no. 20.1134/0



### TECHN. DATA / ITEMS SUPPLIED

- I <sub>x</sub> =	1,939 cm <sup>4</sup>
- I <sub>y</sub> =	1,909 cm <sup>4</sup>
- W <sub>x</sub> =	0,982 cm <sup>3</sup>
- W <sub>y</sub> =	1,006 cm <sup>3</sup>
- Weight	0,601 kg/m
- Length	6 m
- Packing unit	72 m

### APPLICATIONS

- Light construction
- Tables
- Racks
- Framework constructions
- Bracings

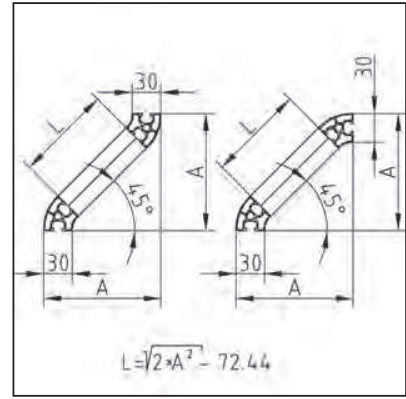
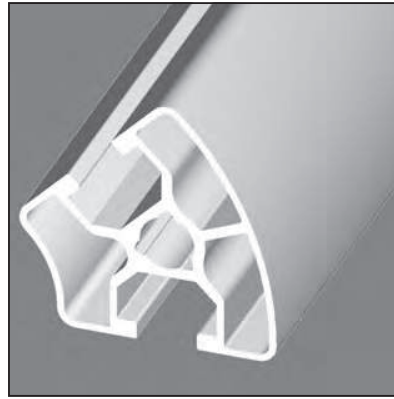
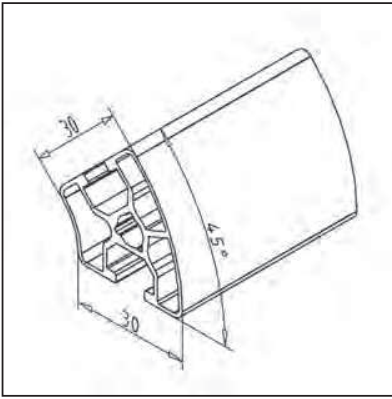
### ASSEMBLY

- Power-lock fastener 30 / N 30
- Mitre connector 30
- Screw connection 30
- Angle 16 / 30
- Mount to this profile using square nuts 30 available in M4 / M5 / M6 / M8



## PROFILE 30 R 45°

part no. 20.1135/0



### TECHN. DATA / ITEMS SUPPLIED

- Ix =	1,909 cm <sup>4</sup>
- Iy =	1,812 cm <sup>4</sup>
- wx =	0,924 cm <sup>3</sup>
- wy =	0,951 cm <sup>3</sup>
- Weight	0,601 kg/m
- Length	6 m
- Packing unit	72 m

### APPLICATIONS

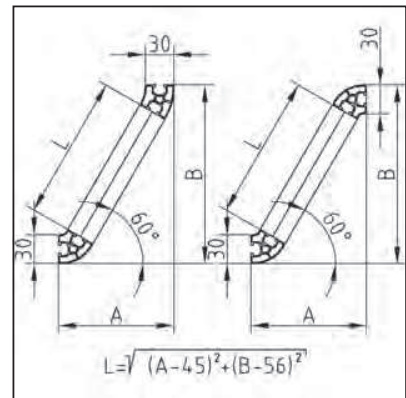
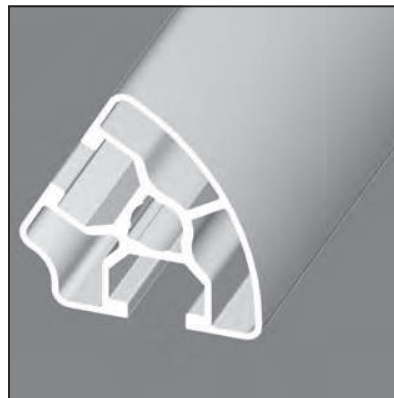
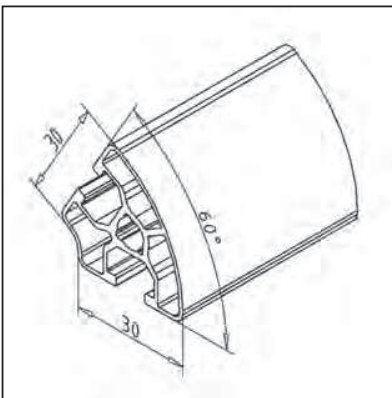
- Light construction
- Tables
- Racks
- Framework constructions
- Bracings

### ASSEMBLY

- Power-lock fastener 30 / N 30,
- Mitre connector 30
- Screw connection 30
- Angle 16 / 30
- Mount to this profile using square nuts 30 available in M4 / M5 / M6 / M8

## PROFILE 30 R 60°

part no. 20.1136/0



### TECHN. DATA / ITEMS SUPPLIED

- Ix =	1,847 cm <sup>4</sup>
- Iy =	1,721 cm <sup>4</sup>
- wx =	0,904 cm <sup>3</sup>
- wy =	0,951 cm <sup>3</sup>
- Weight	0,590 kg/m
- Length	6 m
- Packing unit	72 m

### APPLICATIONS

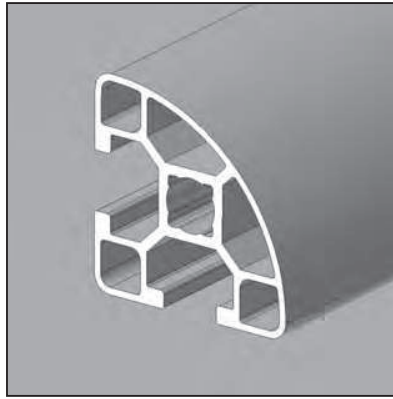
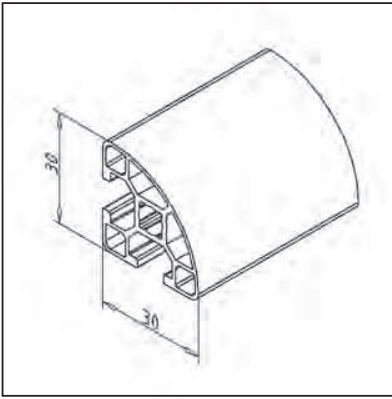
- Light construction
- Tables
- Racks
- Framework constructions
- Bracings

### ASSEMBLY

- Power-lock fastener 30 / N 30
- Mitre connector 30
- Screw connection 30
- Angle 16 / 30
- Mount to this profile using square nuts 30 available in M4 / M5 / M6 / M8

**PROFILE 30 R 90°**

part no. 20.1125/0

**TECHN. DATA / ITEMS SUPPLIED**

- Ix =	1,847 cm <sup>4</sup>
- Iy =	1,721 cm <sup>4</sup>
- wx =	0,904 cm <sup>3</sup>
- wy =	0,951 cm <sup>3</sup>
- Weight	0,590 kg/m
- Length	6 m
- Packing unit	72 m

**APPLICATIONS**

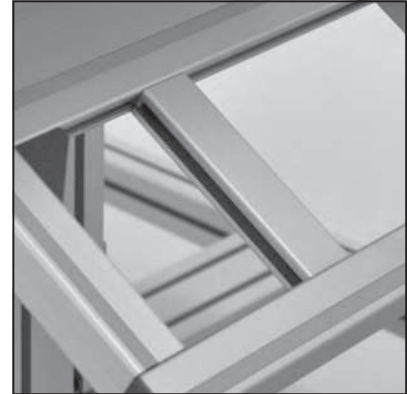
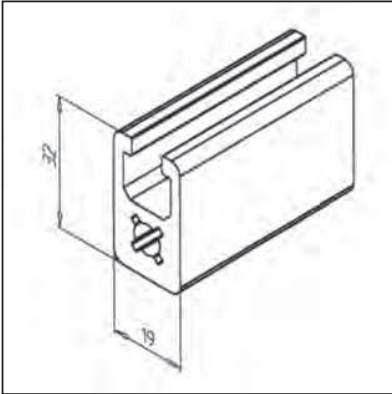
- Light construction
- Tables
- Racks
- Framework constructions

**ASSEMBLY**

- Power-lock fastener 30 / N 30
- Mitre connector 30
- Screw connection 30
- Angle 16 / 30 / 30 R 90°
- Mount to this profile using square nuts 30 available in M4 / M5 / M6 / M8

## PROFILE 19 X 32

part no. 20.1000/0



### TECHN. DATA / ITEMS SUPPLIED

- Ix =	3,102 cm <sup>4</sup>
- Iy =	1,526 cm <sup>4</sup>
- wx =	1,651 cm <sup>3</sup>
- wy =	1,606 cm <sup>3</sup>
- Weight	0,987 kg/m
- Length	6 m
- Packing unit	60 m

### APPLICATIONS

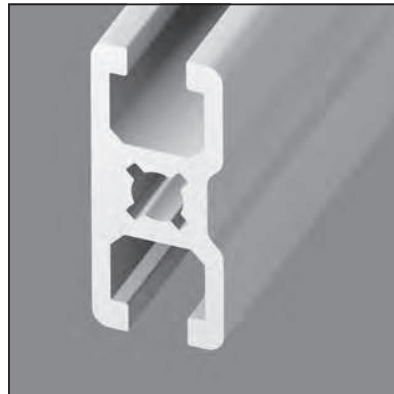
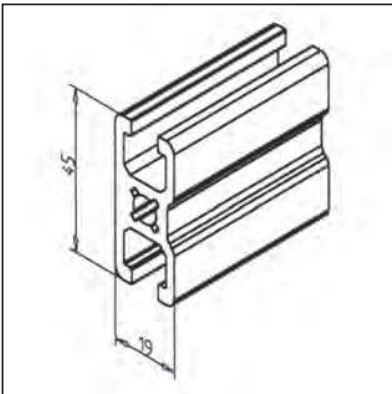
- Light constructions
- Panel frames
- Light supports
- Grip rails

### ASSEMBLY

- MiniTec power-lock fastener
- Angle 19 GD-Z
- Bolt-fastener 15
- Screw connection

## PROFILE 19 X 45

part no. 20.1001/0



### TECHN. DATA / ITEMS SUPPLIED

- Ix =	6,173 cm <sup>4</sup>
- Iy =	1,843 cm <sup>4</sup>
- wx =	2,743 cm <sup>3</sup>
- wy =	1,836 cm <sup>3</sup>
- Weight	1,101 kg/m
- Length	6 m
- Packing unit	60 m

### APPLICATIONS

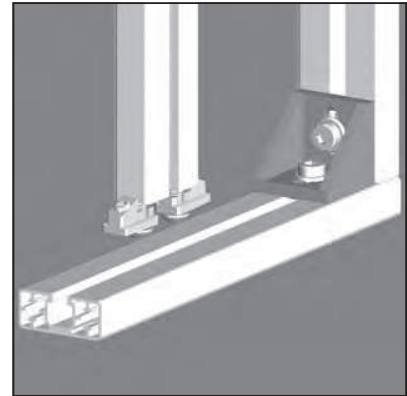
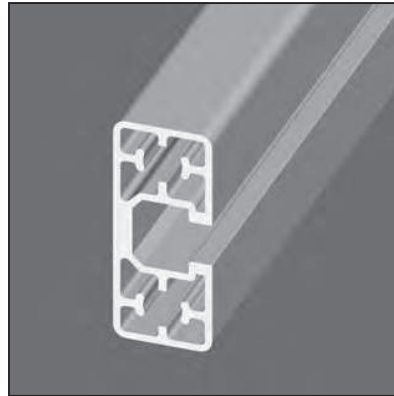
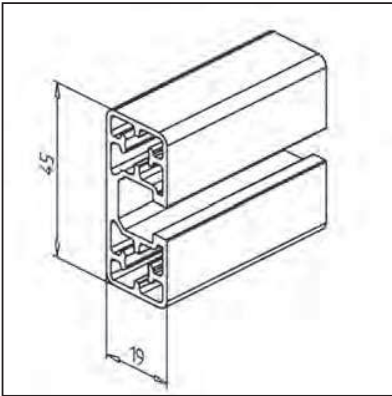
- Light supports, Bracings
- Light constructions
- Panel frames
- Shelves

### ASSEMBLY

- MiniTec power-lock fastener
- Angle 19
- Bolt-fastener 15
- Screw connection

## PROFILE 45 X 19

part no. 20.0993/0



### TECHN. DATA / ITEMS SUPPLIED

- I <sub>x</sub> =	6,106 cm <sup>4</sup>
- I <sub>y</sub> =	1,384 cm <sup>4</sup>
- w <sub>x</sub> =	2,71 cm <sup>3</sup>
- w <sub>y</sub> =	1,45 cm <sup>3</sup>
- Weight	0,814 kg/m
- Length	6 m
- Packing unit	72 m

### APPLICATIONS

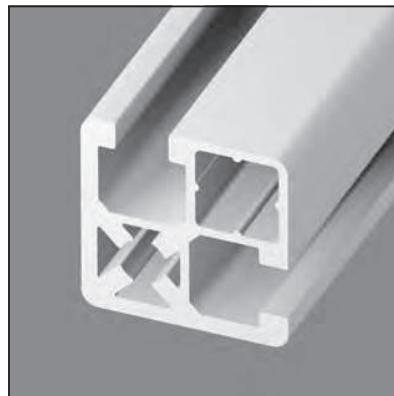
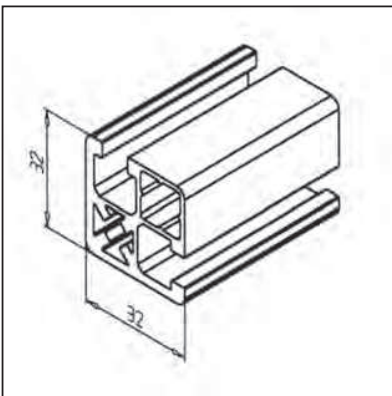
- Weight-optimized constructions
- Light constructions
- Light sliding windows
- Support plates
- Base plates

### ASSEMBLY

- Side 19 mm: MiniTec Power-lock fastener 45 F **part no. 21.0818/0**
- Side 45 mm: angle, power-lock fastener N or bolt-fastener

## PROFILE 32 X 32 UL

part no. 20.1064/0



### TECHN. DATA / ITEMS SUPPLIED

- I <sub>x</sub> =	4,100 cm <sup>4</sup>
- I <sub>y</sub> =	4,100 cm <sup>4</sup>
- w <sub>x</sub> =	2,267 cm <sup>3</sup>
- w <sub>y</sub> =	2,267 cm <sup>3</sup>
- Weight	1,052 kg/m
- Length	6 m
- Packing unit	48 m

### APPLICATIONS

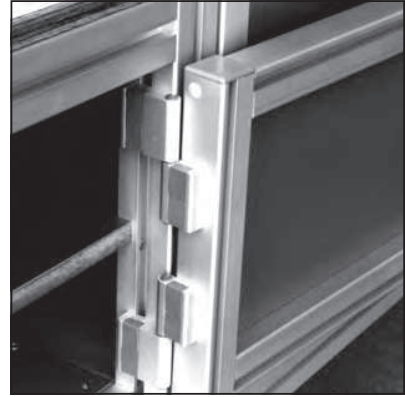
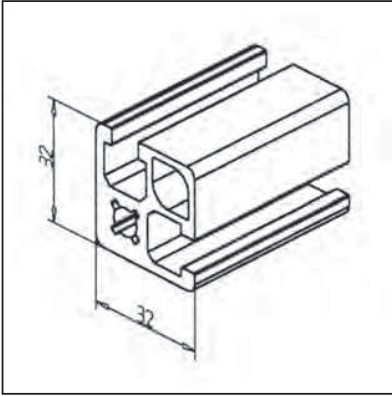
- Light constructions
- Tables
- Horizontal or vertical sliding doors
- Bracings

### ASSEMBLY

- MiniTec power-lock fastener
- Angle 19 GD-Z **part no. 21.2078/0**
- Bolt-fastener 15 **part no. 21.1024/0**
- Screw connection

## PROFILE 32 X 32 F

part no. 20.1054/0



### TECHN. DATA / ITEMS SUPPLIED

- Ix =	4,825 cm <sup>4</sup>
- Iy =	4,825 cm <sup>4</sup>
- wx =	2,703 cm <sup>3</sup>
- wy =	2,703 cm <sup>3</sup>
- Weight	1,288 kg/m
- Length	6 m
- Packing unit	48 m

### APPLICATIONS

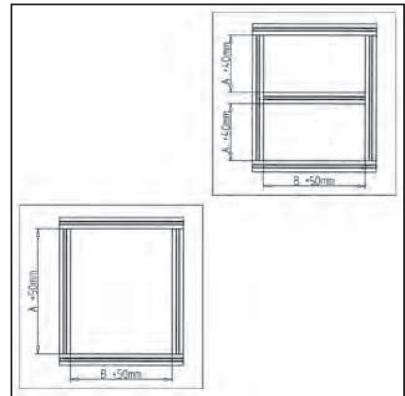
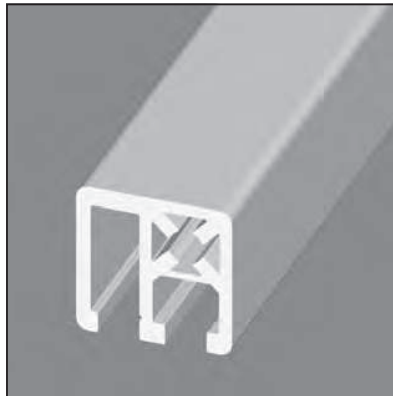
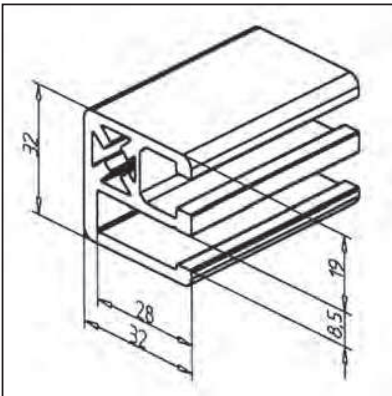
- Light constructions
- Tables
- Horizontal or vertical-sliding doors
- Bracings

### ASSEMBLY

- MiniTec power-lock fastener
- Angle 19 GD-Z, **part no. 21.2078/0**
- Bolt-fastener 15, **part no. 21.1024/0**
- Screw connection

## CLAMP PROFILE 32 X 32

part no. 20.1070/0



### TECHN. DATA / ITEMS SUPPLIED

- Ix =	5,024 cm <sup>4</sup>
- Iy =	4,418 cm <sup>4</sup>
- wx =	3,041 cm <sup>3</sup>
- wy =	2,398 cm <sup>3</sup>
- Weight	1,211 kg/m
- Length	6 m
- Packing unit	48 m

### APPLICATIONS

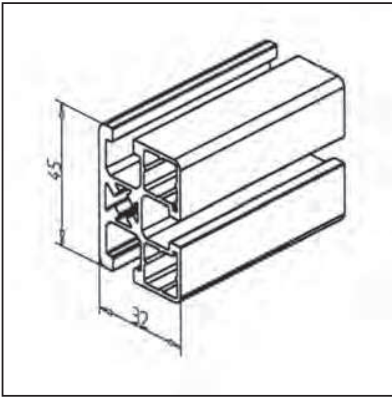
- All types of safety equipment
- For clamping surface elements such as corrugated mesh, panels or plates up to a thickness of 8 mm
- For large flexible panels, split panel into sections using a center bar of clamp profile 45x32

### ASSEMBLY

- MiniTec power-lock fastener; no bores required
- No cut-outs in surface elements required
- Premount 3 sides of the frame
- Insert surface element and mount last profile strut
- Push in distance profile on the inside or knock in with a flat tool
- For panel elements < 4 mm mount additional insert seal
- Distance profile **part no. 22.1039/0** see page 182

## PROFILE 45 X 32 UL

part no. 20.1065/0



### TECHN. DATA / ITEMS SUPPLIED

- Ix =	8,292 cm <sup>4</sup>
- Iy =	5,178 cm <sup>4</sup>
- wx =	3,685 cm <sup>3</sup>
- wy =	2,815 cm <sup>3</sup>
- Weight	1,257 kg/m
- Length	6 m
- Packing unit	48 m

### APPLICATIONS

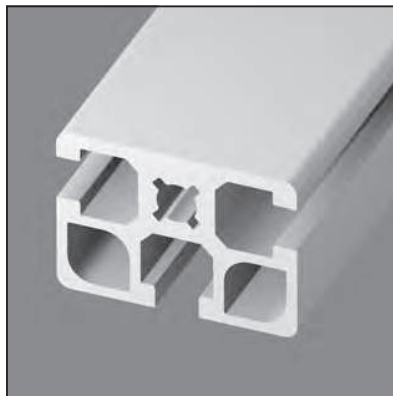
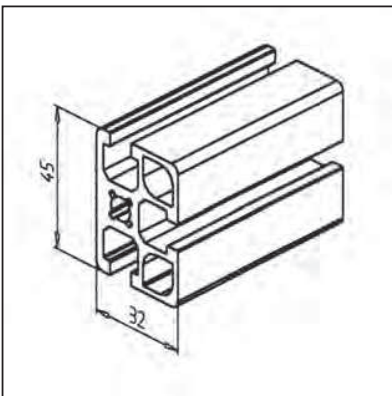
- General constructions
- Light constructions
- Tables
- Racks
- Sliding doors

### ASSEMBLY

- MiniTec power-lock fastener
- Angle 19 / 25 / 45 / 45 x 90 GD-Z
- Bolt-fastener 15 / 20
- Screw connection

## PROFILE 45 X 32 F

part no. 20.1055/0



### TECHN. DATA / ITEMS SUPPLIED

- Ix =	10,189 cm <sup>4</sup>
- Iy =	6,499 cm <sup>4</sup>
- wx =	4,528 cm <sup>3</sup>
- wy =	3,762 cm <sup>3</sup>
- Weight	1,588 kg/m
- Length	6 m
- Packing unit	48 m

### APPLICATIONS

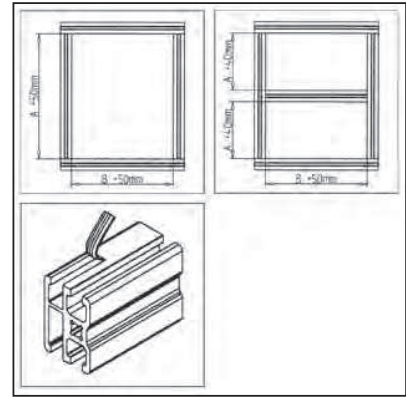
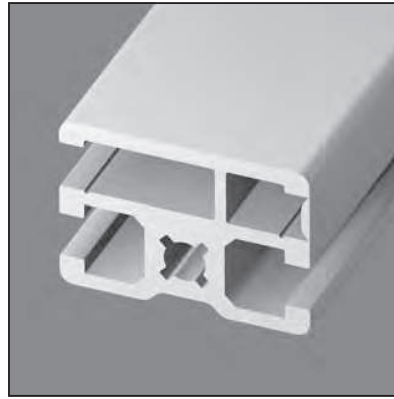
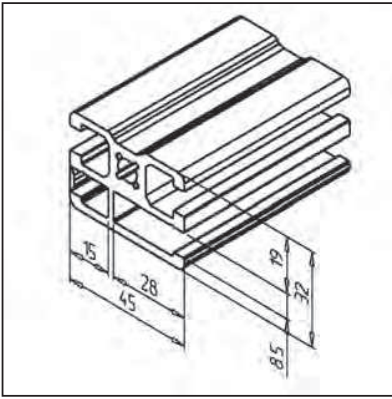
- General constructions
- Tables
- Racks
- Sliding-doors
- Rails

### ASSEMBLY

- MiniTec power-lock fastener
- Angle 19 / 25 / 45 / 45 x 90 GD-Z
- Bolt-fastener 15 / 20
- Screw connection

## CLAMP PROFILE 45 X 32

part no. 20.1053/0



### TECHN. DATA / ITEMS SUPPLIED

- Ix =	6,465 cm <sup>4</sup>
- Iy =	9,521 cm <sup>4</sup>
- wx =	3,999 cm <sup>3</sup>
- wy =	4,119 cm <sup>3</sup>
- Weight	1,615 kg/m
- Length	6 m
- Packing unit	48 m

### APPLICATIONS

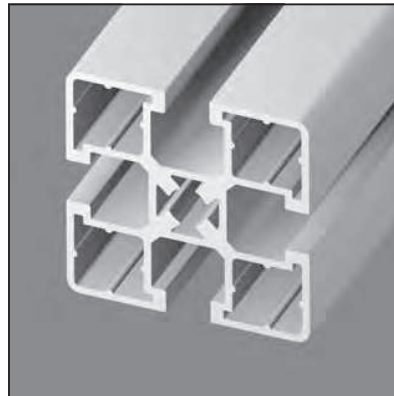
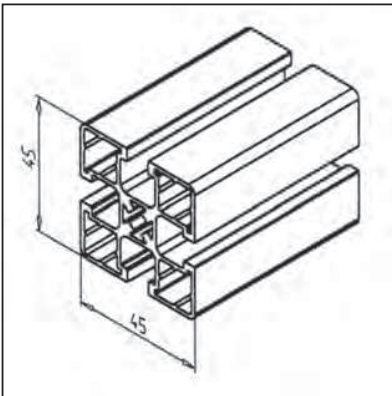
- All types of safety equipment
- Extra deep 28mm slot for fixing panels & wire mesh up to 8mm thick
- For large flexible panels, split panel into sections using a center bar of clamp profile 45x32

### ASSEMBLY

- MiniTec power-lock fastener
- No cut-outs in surface elements required
- Premount 3 sides of the frame
- Insert surface element and mount last profile strut
- Push in distance profile on the inside or knock in with a flat tool
- For panel elements < 4 mm mount additional insert seal
- Distance profile **part no. 22.1039/0** see page 182

## PROFILE 45 X 45 UL

part no. 20.1063/0



### TECHN. DATA / ITEMS SUPPLIED

- Ix =	9,953 cm <sup>4</sup>
- Iy =	9,953 cm <sup>4</sup>
- wx =	4,423 cm <sup>3</sup>
- wy =	4,423 cm <sup>3</sup>
- Weight	1,445 kg/m
- Length	6 m
- Packing unit	54 m

### APPLICATIONS

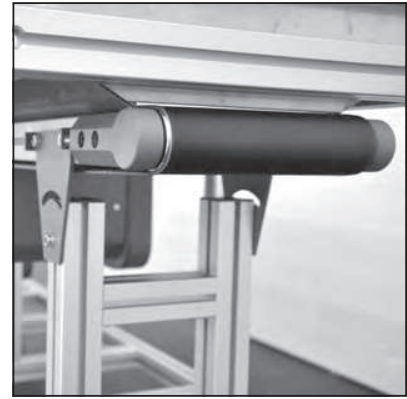
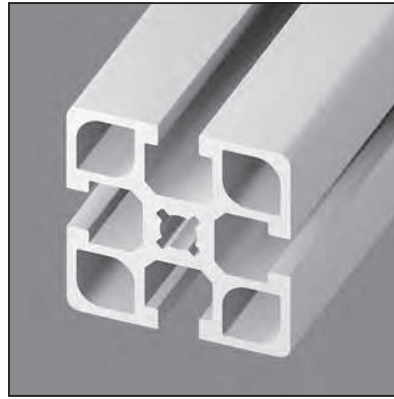
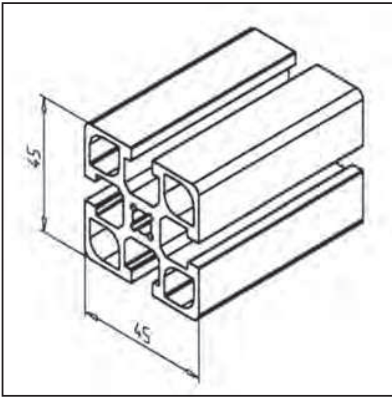
- General weight, optimized engineering structures
- General constructions

### ASSEMBLY

- MiniTec power-lock fastener
- Angle 19 / 25 / 45 / 45 x 90 GD-Z
- Bolt-fastener 20
- Screw connection

## PROFILE 45 X 45 F

part no. 20.1033/0



### TECHN. DATA / ITEMS SUPPLIED

- I <sub>x</sub> =	14,172 cm <sup>4</sup>
- I <sub>y</sub> =	14,172 cm <sup>4</sup>
- W <sub>x</sub> =	6,298 cm <sup>3</sup>
- W <sub>y</sub> =	6,298 cm <sup>3</sup>
- Weight	2,005 kg/m
- Length	6 m
- Packing unit	36 m

### APPLICATIONS

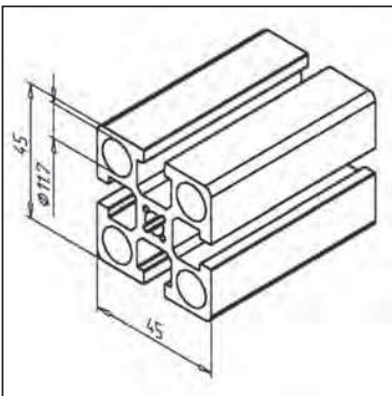
- General constructions

### ASSEMBLY

- MiniTec power-lock fastener
- Angle 19 / 25 / 45 / 45 x 90 GD-Z
- Bolt-fastener 20
- Screw connection

## PROFILE 45 X 45

part no. 20.1006/0



### TECHN. DATA / ITEMS SUPPLIED

- I <sub>x</sub> =	15,934 cm <sup>4</sup>
- I <sub>y</sub> =	15,934 cm <sup>4</sup>
- W <sub>x</sub> =	7,081 cm <sup>3</sup>
- W <sub>y</sub> =	7,081 cm <sup>3</sup>
- Weight	2,205 kg/m
- Length	6 m
- Packing unit	36 m

### APPLICATIONS

- General constructions
- Compressed air piping
- Linear guides

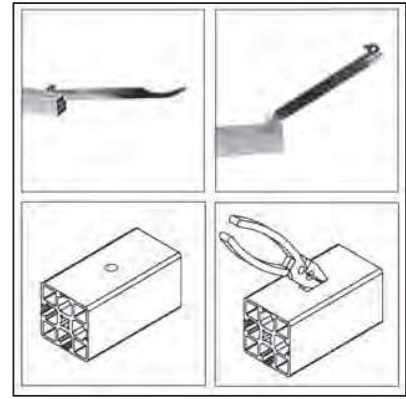
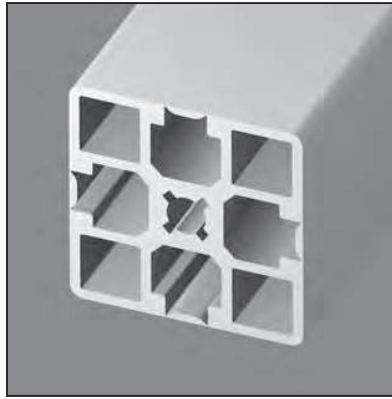
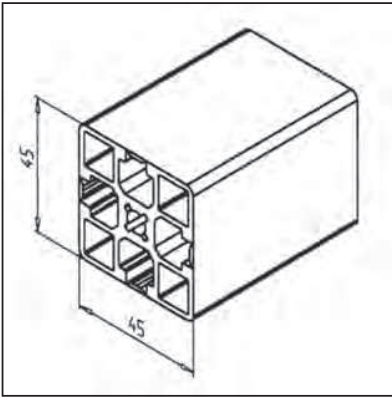
### ASSEMBLY

- MiniTec power-lock fastener
- Angle 25 / 45, bolt-fastener, screw connection
- Bores Ø 11,7 mm reborable for piping thread G 1/4" for connection of blanking screws or pneumatic elements
- Lateral connections G 1/8" direct into the profile.



## PROFILE 45 X 45 G

part no. 20.1028/0



### TECHN. DATA / ITEMS SUPPLIED

- lx =	14,087 cm <sup>4</sup>
- ly =	14,087 cm <sup>4</sup>
- wx =	6,261 cm <sup>3</sup>
- wy =	6,261 cm <sup>3</sup>
- Weight	1,997 kg/m
- Length	6 m
- Packing unit	36 m

### APPLICATIONS

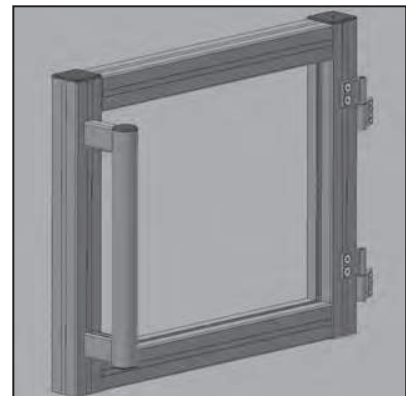
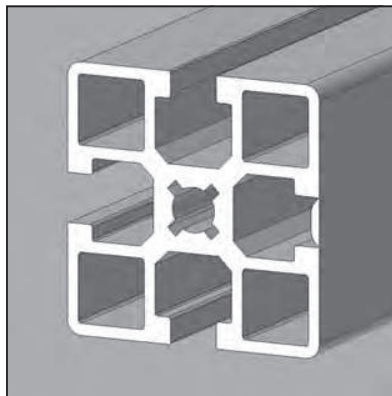
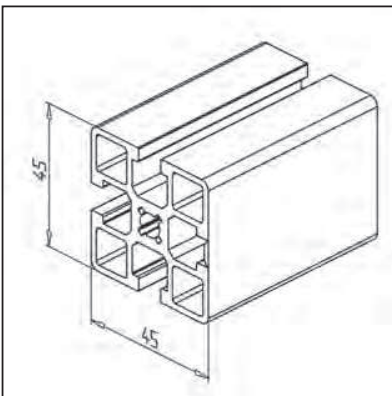
- General constructions, particularly for use in the food industry, in medical engineering and for the filling of beverages, where strict hygienic standards are set
- Grooves can be closed with the aluminium cover profile L, **part no. 20.1021/0**, when opened too far
- Silicon sealings for profile connections on request

### ASSEMBLY

- For tightening the MiniTec power-lock fastener, the groove cover must be opened by tear-off lever **part no. 26.0815/0** at the profile end. Opening can be covered with end cap profile G **part no. 22.1056/1**
- Angle 25 / 45
- The grooves can be opened up to any length with the tear-off lever **part no. 26.0815/0**

## PROFILE 45 X 45 1G

part no. 20.1126/0



### TECHN. DATA / ITEMS SUPPLIED

- lx =	13,617 cm <sup>4</sup>
- ly =	14,091 cm <sup>4</sup>
- wx =	6,052 cm <sup>3</sup>
- wy =	6,262 cm <sup>3</sup>
- Weight	1,897 kg/m
- Length	6 m
- Packing unit	36 m

### APPLICATIONS

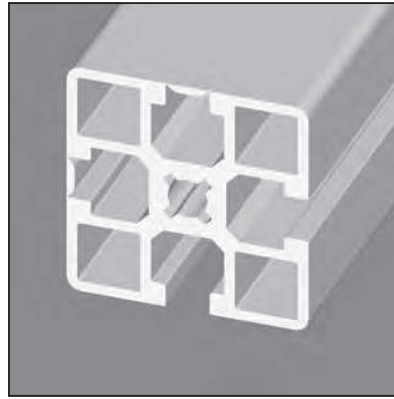
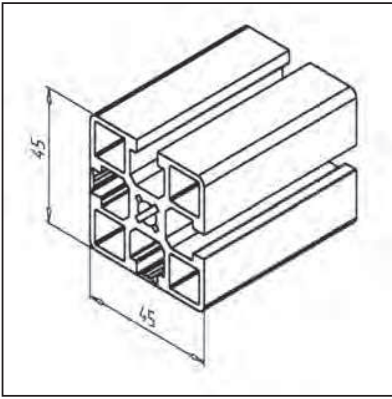
- Groove cover can be torn out
- General constructions, particularly for use in the food industry, in medical engineering and for the filling of beverages, where strict hygienic standards are set
- Opened groove can be closed with the aluminium cover profile L, **part no. 20.1021/0**
- Silicon sealings for profile connections on request

### ASSEMBLY

- For tightening power-lock fastener, the groove cover must be opened with tear-off lever, **part no. 26.0815/0** at the profile end
- Cover opened groove with end cap G **part no. 22.1056/0**
- Angle 25 / 45

**PROFILE 45 X 45 2G**

part no. 20.1072/0

**TECHN. DATA / ITEMS SUPPLIED**

- Ix =	13,549 cm <sup>4</sup>
- Iy =	13,549 cm <sup>4</sup>
- wx =	5,938 cm <sup>3</sup>
- wy =	5,938 cm <sup>3</sup>
- Weight	1,925 kg/m
- Length	6 m
- Packing unit	36 m

**APPLICATIONS**

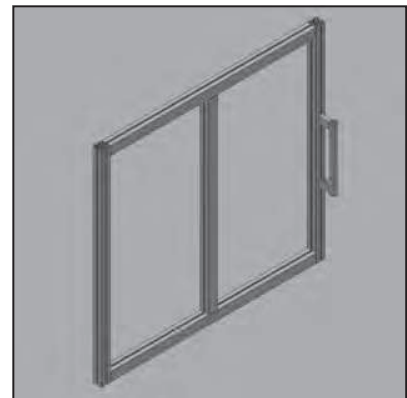
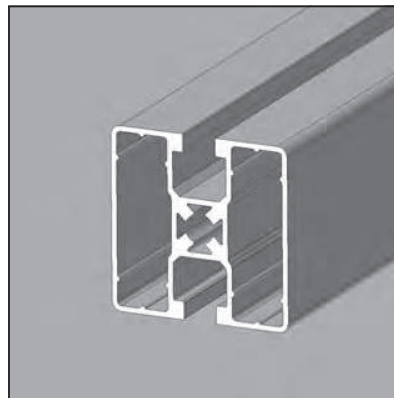
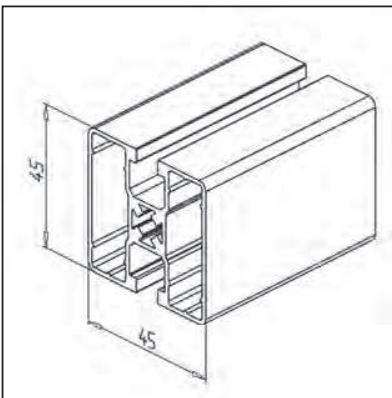
- General engineering structures, particularly for use in the food industry, in medical engineering and for the filling of beverages, where strict hygienic standards are set
- Grooves can be closed with the aluminium cover profile L, **part no. 20.1021/0**, when opened too far
- Silicon sealings for profile connections on request

**ASSEMBLY**

- For tightening power-lock fastener, the groove cover must be opened with tear-off lever, **part no. 26.0815/0** at the profile end
- Cover with end cap G **part no. 22.1056/1**
- Angle 25 / 45

**PROFILE 45 X 45 UL 2GG**

part no. 20.1122/0

**TECHN. DATA / ITEMS SUPPLIED**

- Ix =	9,974 cm <sup>4</sup>
- Iy =	8,553 cm <sup>4</sup>
- wx =	4,432 cm <sup>3</sup>
- wy =	3,801 cm <sup>3</sup>
- Weight	1,254 kg/m
- Length	6 m
- Packing unit	54 m

**APPLICATIONS**

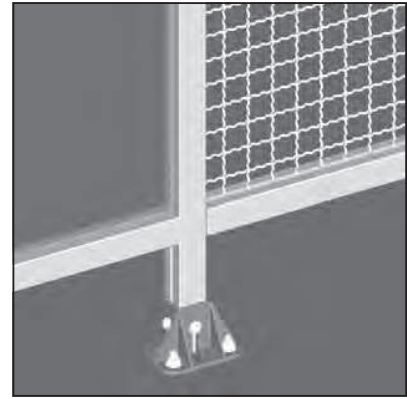
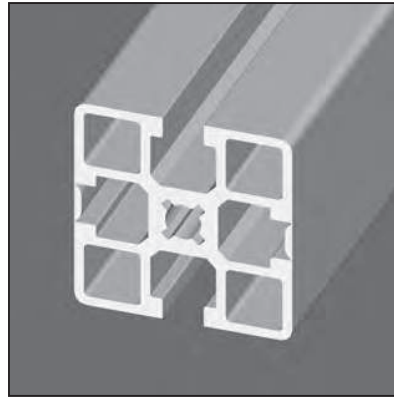
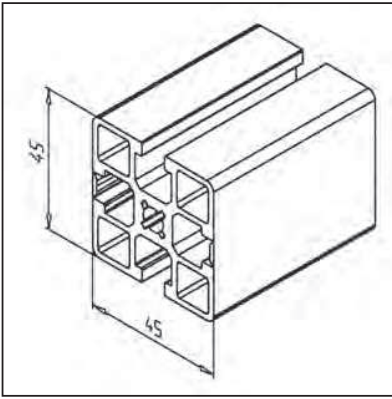
- Weight optimized constructions
- General constructions, particularly for use in the food industry, in medical engineering and for the filling of beverages, where strict hygienic standards are set
- Silicon sealings for profile connections on request

**ASSEMBLY**

- MiniTec power-lock fastener
- Angle 19 / 25 / 45 / 45 x 90
- Bolt-fastener 20
- Screw connection

## PROFILE 45 X 45 2GG

part no. 20.1099/0



### TECHN. DATA / ITEMS SUPPLIED

- Ix =	13,069 cm <sup>4</sup>
- Iy =	14,045 cm <sup>4</sup>
- wx =	5,808 cm <sup>3</sup>
- wy =	6,242 cm <sup>3</sup>
- Weight	1,925 kg/m
- Length	6 m
- Packing unit	36 m

### APPLICATIONS

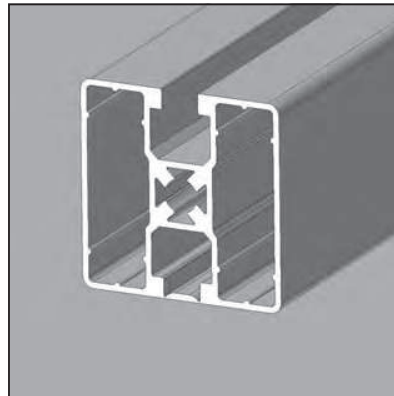
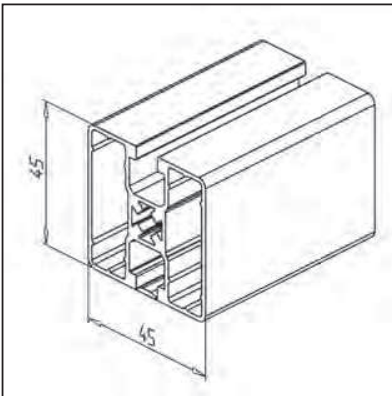
- General constructions, particularly for use in the food industry, in medical engineering and for the filling of beverages, where strict hygienic standards are set
- Grooves can be closed with the aluminium cover profile L, **part no. 20.1021/0**, when opened too far
- Silicon sealings for profile connections on request

### ASSEMBLY

- For tightening power-lock fastener, the groove cover must be opened with tear-off lever, **part no. 26.0815/0** at the profile end
- Cover with end cap G **part no. 22.1056/1**
- Angle 25 / 45

## PROFILE 45 X 45 UL 3G

part no. 20.1123/0



### TECHN. DATA / ITEMS SUPPLIED

- Ix =	10,44 cm <sup>4</sup>
- Iy =	8,557 cm <sup>4</sup>
- wx =	4,64 cm <sup>3</sup>
- wy =	3,803 cm <sup>3</sup>
- Weight	1,281 kg/m
- Length	6 m
- Packing unit	54 m

### APPLICATIONS

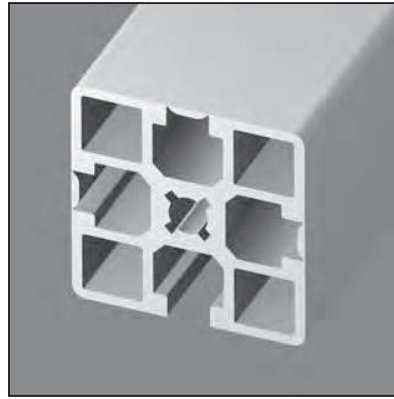
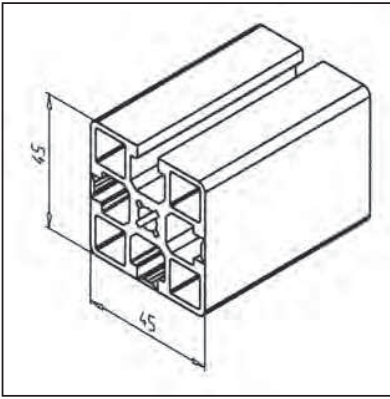
- Groove cover can be torn out
- Weight optimized constructions
- General constructions, particularly useful in the food industry, in medical engineering and for the filling of beverages, where strict hygienic standards are set
- Silicon sealings for profile connections on request

### ASSEMBLY

- MiniTec power-lock fastener
- Angle 19 / 25 / 45 / 45 x 90
- Screw connection

## PROFILE 45 X 45 3G

part no. 20.1048/0



### TECHN. DATA / ITEMS SUPPLIED

- Ix =	13,554 cm <sup>4</sup>
- Iy =	14,049 cm <sup>4</sup>
- wx =	5,941 cm <sup>3</sup>
- wy =	6,244 cm <sup>3</sup>
- Weight	1,953 kg/m
- Length	6 m
- Packing unit	36 m

### APPLICATIONS

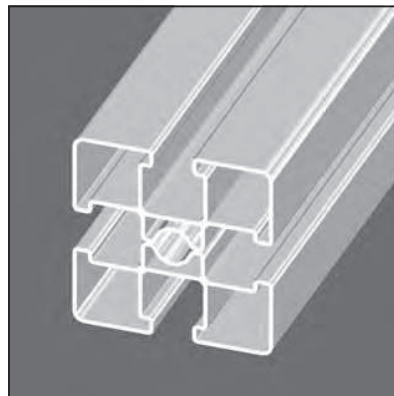
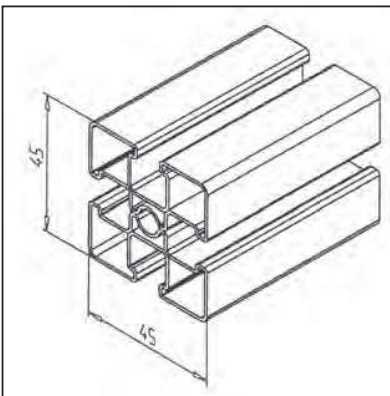
- General constructions, particularly useful in the food industry, in medical engineering and for the filling of beverages, where strict hygienic standards are set
- Grooves can be closed with the aluminium cover profile L, **part no. 20.1021/0**
- Silicon sealings for profile connections on request

### ASSEMBLY

- For tightening power-lock fastener, the groove cover must be opened with tear-off lever, **part no. 26.0815/0** at the profile end
- Cover with end cap G **part no. 22.1056/1**
- Angle 25 / 45
- The grooves can be opened up to any length with the tear-off lever **part no. 26.0815/0**

## PROFILE 45 X 45 VA

part no. 20.2000/0



### TECHN. DATA / ITEMS SUPPLIED

- Material: WN DIN 1.4301 (x5 Cr Ni 18-10, SUS 304)	
- Ix =	6,47 cm <sup>4</sup>
- Iy =	6,47 cm <sup>4</sup>
- wx =	2,88 cm <sup>3</sup>
- wy =	2,88 cm <sup>3</sup>
- Weight	2,85 kg/m
- Length	6 m
- Packing unit	40 m

### APPLICATIONS

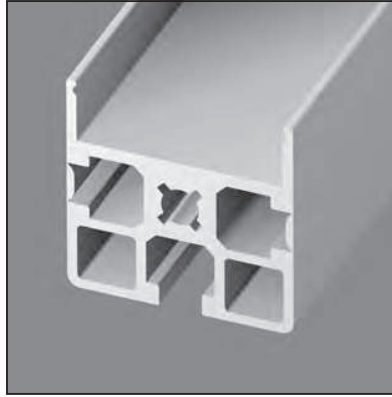
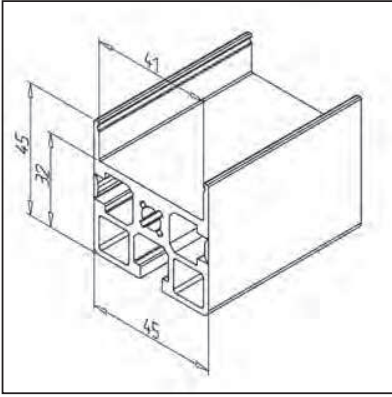
- Food and beverage industry
- Outdoor constructions
- Chemical industry
- Pharmaceutical industry
- High temperatures

### ASSEMBLY

- Power-lock fastener H, **part no. 21.1018/1**
- Angles
- Screws M8, stainless

## PROFILE 45 X 45 R

part no. 20.1046/0



### TECHN. DATA / ITEMS SUPPLIED

- Ix =	8,296 cm <sup>4</sup>
- Iy =	12,997 cm <sup>4</sup>
- wx =	3,247 cm <sup>3</sup>
- wy =	5,776 cm <sup>3</sup>
- Weight	1,711 kg/m
- Length	6 m
- Packing unit	36 m

### APPLICATIONS

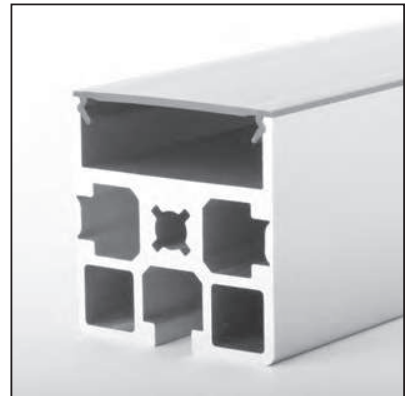
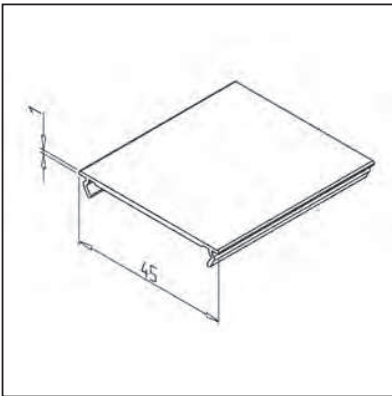
- Combination of constructional element and:
- Cable duct
- Guiding groove for belt conveyor
- Serpentine energy chain guide
- Multi-purpose conduit with snap on cover

### ASSEMBLY

- MiniTec power-lock fastener
- The lateral grooves can be opened up to any length with the tear-off lever **part no. 26.0815/0**

## COVER PROFILE 45 X 45 R

part no. 20.1037/0



### TECHN. DATA / ITEMS SUPPLIED

- PVC impact resistant, grey	
- Weight	0,110 kg/m
- Length	2 m

### APPLICATIONS

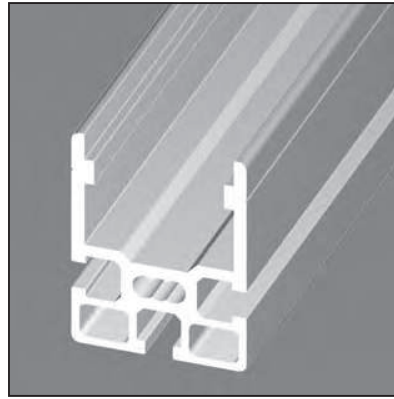
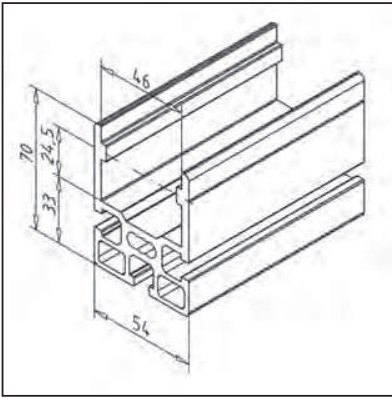
- Covering of profiles 45 x 45 R

### ASSEMBLY

- Snaps onto profile 45 x 45 R

## PROFILE HEIGHT ADJUSTMENT

part no. 20.1143/0



### TECHN. DATA / ITEMS SUPPLIED

- Ix =	40,251 cm <sup>4</sup>
- Iy =	39,822 cm <sup>4</sup>
- wx =	9,624 cm <sup>3</sup>
- wy =	14,749 cm <sup>3</sup>
- Weight	2,94 kg/m
- Length	6 m
- Packing unit	24 m

### APPLICATIONS

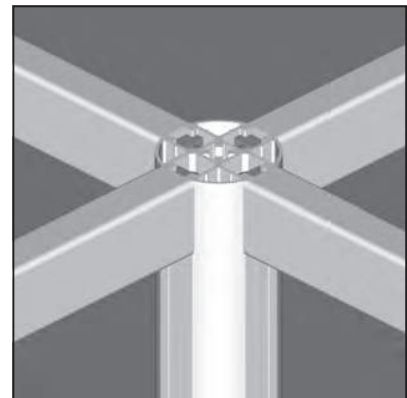
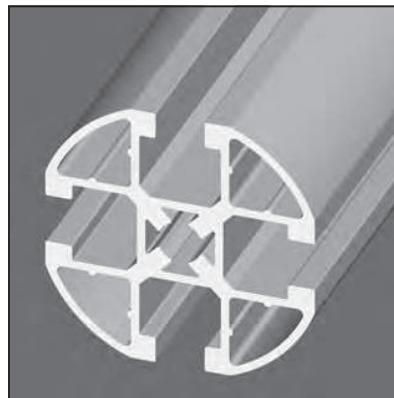
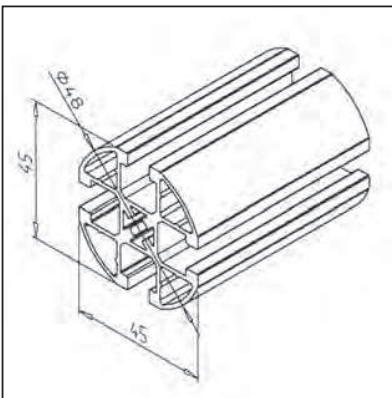
- Height adjustment
- Telescopic applications

### ASSEMBLY

- When processed profile can be either clamped or snapped in

## PROFILE 45 R 4

part no. 20.1120/0



### TECHN. DATA / ITEMS SUPPLIED

- Ix =	8,163 cm <sup>4</sup>
- Iy =	8,163 cm <sup>4</sup>
- wx =	3,628 cm <sup>3</sup>
- wy =	3,628 cm <sup>3</sup>
- Weight	1,405 kg
- Length	6 m
- Packing unit	48 m

### APPLICATIONS

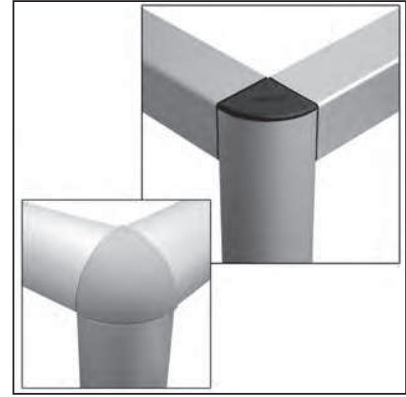
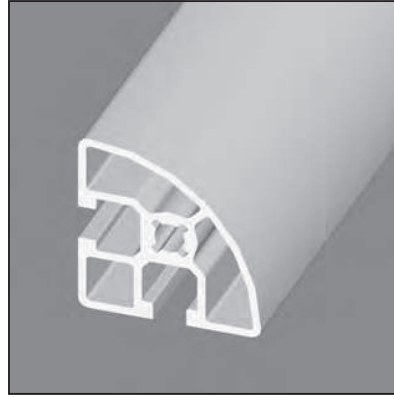
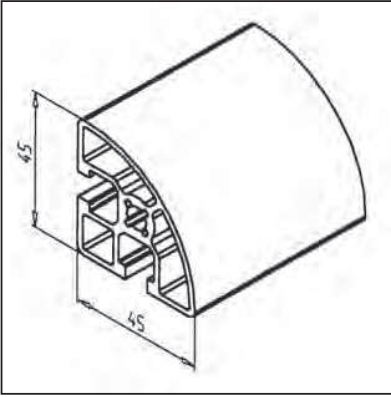
- Weight-optimised constructions
- Handrail
- Connection of profiles 19
- Handles with different length for doors and drawers

### ASSEMBLY

- MiniTec Power lock fastener
- Angle 19 GD-Z, **part no. 21.2078/0**
- Screw connection

## PROFILE 45 R 90°

part no. 20.1069/0



### TECHN. DATA / ITEMS SUPPLIED

- I <sub>x</sub> =	9,138 cm <sup>4</sup>
- I <sub>y</sub> =	9,138 cm <sup>4</sup>
- w <sub>x</sub> =	3,581 cm <sup>3</sup>
- w <sub>y</sub> =	3,581 cm <sup>3</sup>
- Weight	1,478 kg/m
- Length	6 m
- Packing unit	48 m

### APPLICATIONS

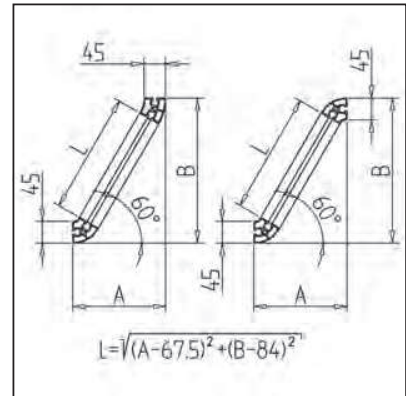
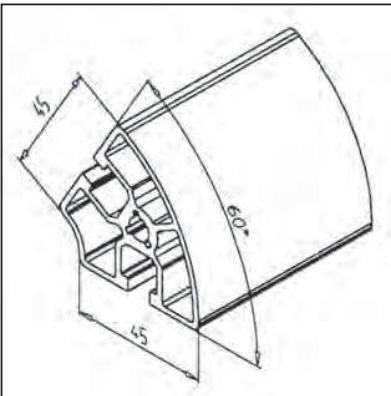
- Light construction
- Tables
- Racks
- Framework constructions

### ASSEMBLY

- MiniTec power-lock fastener
- Angle 45 R 90°
- Cross bolt-fastener

## PROFILE 45 R 60°

part no. 20.1096/0



### TECHN. DATA / ITEMS SUPPLIED

- I <sub>x</sub> =	11,446 cm <sup>4</sup>
- I <sub>y</sub> =	10,280 cm <sup>4</sup>
- w <sub>x</sub> =	3,667 cm <sup>3</sup>
- w <sub>y</sub> =	3,752 cm <sup>3</sup>
- Weight	1,575 kg/m
- Length	6 m
- Packing unit	48 m

### APPLICATIONS

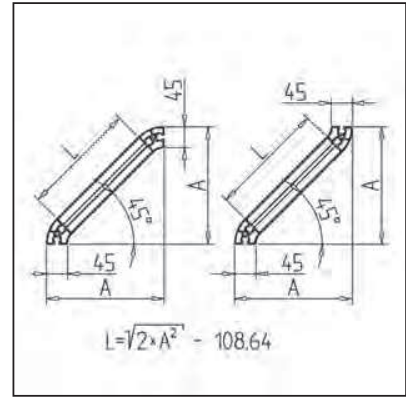
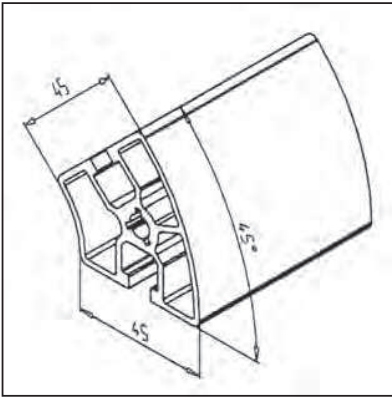
- Angled enclosures
- Tables
- Racks
- Framework constructions
- Bracings

### ASSEMBLY

- MiniTec power-lock fastener
- Bolt-fastener

## PROFILE 45 R 45°

part no. 20.1095/0



### TECHN. DATA / ITEMS SUPPLIED

- Ix =	12,457 cm <sup>4</sup>
- Iy =	11,296 cm <sup>4</sup>
- wx =	3,976 cm <sup>3</sup>
- wy =	3,837 cm <sup>3</sup>
- Weight	1,607 kg/m
- Length	6 m
- Packing unit	48 m

### APPLICATIONS

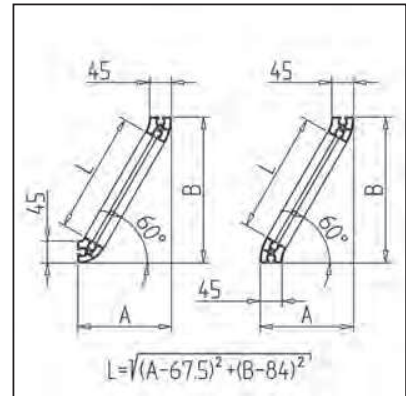
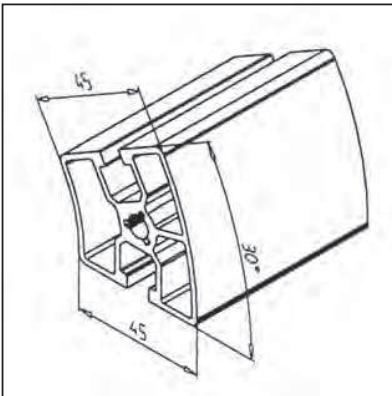
- Angled enclosures
- Tables
- Racks
- Framework constructions
- Bracings

### ASSEMBLY

- MiniTec power-lock fastener
- Bolt-fastener

## PROFILE 45 R 30°

part no. 20.1094/0



### TECHN. DATA / ITEMS SUPPLIED

- Ix =	12,138 cm <sup>4</sup>
- Iy =	11,006 cm <sup>4</sup>
- wx =	4,018 cm <sup>3</sup>
- wy =	3,883 cm <sup>3</sup>
- Weight	1,626 kg/m
- Length	6 m
- Packing unit	48 m

### APPLICATIONS

- Angled enclosures
- Tables
- Racks
- Framework constructions
- Bracings

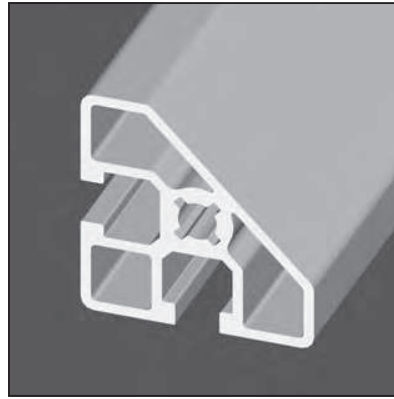
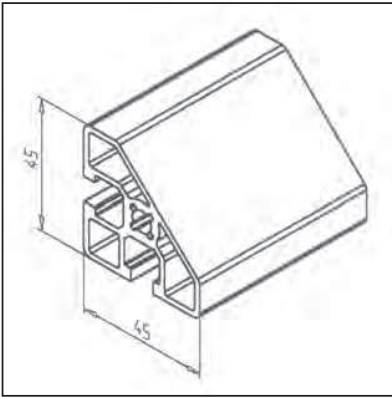
### ASSEMBLY

- MiniTec power-lock fastener
- Bolt-fastener



## PROFILE 45 / 45°

part no. 20.1029/0



### TECHN. DATA / ITEMS SUPPLIED

- Ix =	8,626 cm <sup>4</sup>
- Iy =	8,626 cm <sup>4</sup>
- wx =	3,315 cm <sup>3</sup>
- wy =	3,315 cm <sup>3</sup>
- Weight	1,443 kg/m
- Length	6 m
- Packing unit	48 m

### APPLICATIONS

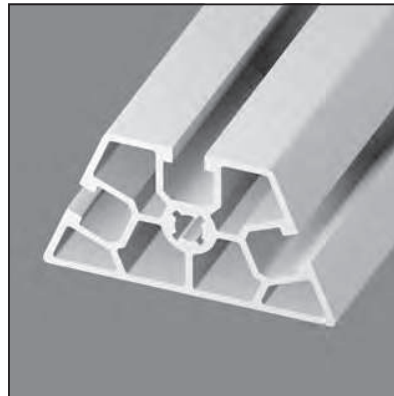
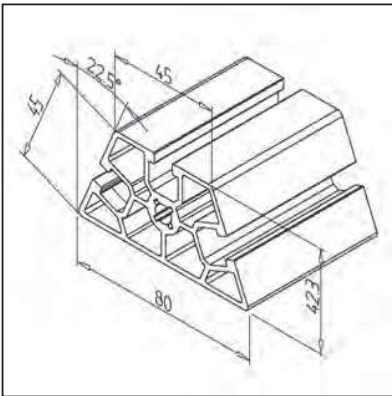
- Light construction
- Tables
- Framework constructions
- Bracings

### ASSEMBLY

- MiniTec power-lock fastener
- Angle 45°
- Angle 45 / 90
- Bolt-fastener

## PROFILE 45 / 22,5°

part no. 20.1030/0



### TECHN. DATA / ITEMS SUPPLIED

- Ix =	14,506 cm <sup>4</sup>
- Iy =	33,432 cm <sup>4</sup>
- wx =	7,934 cm <sup>3</sup>
- wy =	8,515 cm <sup>3</sup>
- Weight	2,225 kg/m
- Length	6 m
- Packing unit	36 m

### APPLICATIONS

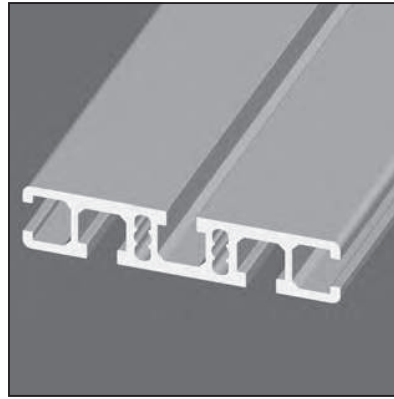
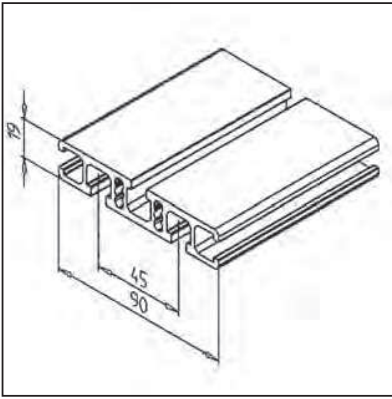
- Machine guards + angled enclosures
- Tables
- Connection of construction elements at an angle of 45°
- Bracings

### ASSEMBLY

- MiniTec power-lock fastener
- Angle
- Bolt-fastener

## PROFILE 19 X 90

part no. 20.0995/0



### TECHN. DATA / ITEMS SUPPLIED

- I <sub>x</sub> =	3,436 cm <sup>4</sup>
- I <sub>y</sub> =	45,455 cm <sup>4</sup>
- W <sub>x</sub> =	3,493 cm <sup>3</sup>
- W <sub>y</sub> =	10,101 cm <sup>3</sup>
- Weight	1,919 kg/m
- Length	6 m
- Packing unit	48 m

### APPLICATIONS

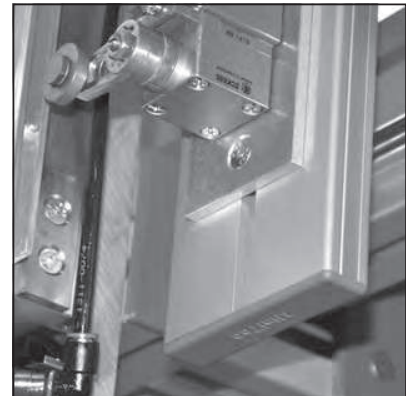
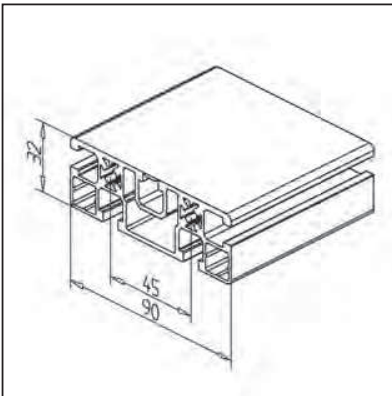
- Base plates
- Bearing surfaces
- Slide plate for linear guide
- Plates for floor fastening
- Showcases

### ASSEMBLY

- Bolt-fastener
- Angle

## PROFILE 90 X 32 UL

part no. 20.1066/0



### TECHN. DATA / ITEMS SUPPLIED

- I <sub>x</sub> =	10,627 cm <sup>4</sup>
- I <sub>y</sub> =	64,889 cm <sup>4</sup>
- W <sub>x</sub> =	5,832 cm <sup>3</sup>
- W <sub>y</sub> =	14,340 cm <sup>3</sup>
- Weight	2,464 kg/m
- Length	6 m
- Packing unit	36 m

### APPLICATIONS

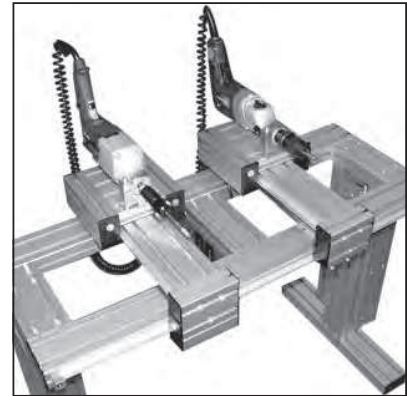
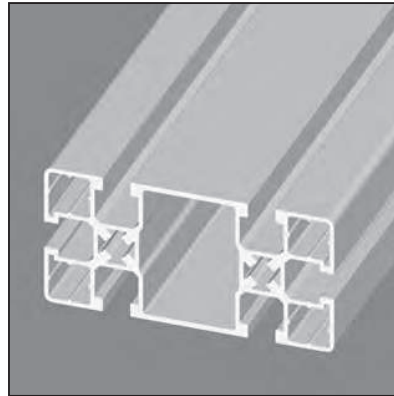
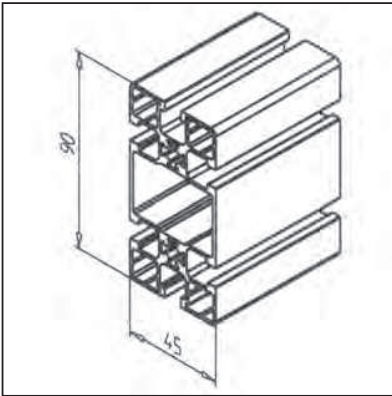
- General constructions
- General weight, optimized engineering structures
- Tables
- Racks
- Enclosures

### ASSEMBLY

- MiniTec power-lock fastener
- Angle
- Screw connector
- The t-slot can be opened up to any length with the tear-off lever **part no. 26.0815/0**

## PROFILE 45 X 90 UL

part no. 20.1067/0



### TECHN. DATA / ITEMS SUPPLIED

- I <sub>x</sub> =	73,907 cm <sup>4</sup>
- I <sub>y</sub> =	19,194 cm <sup>4</sup>
- W <sub>x</sub> =	16,423 cm <sup>3</sup>
- W <sub>y</sub> =	8,530 cm <sup>3</sup>
- Weight	2,421 kg/m
- Length	6 m
- Packing unit	24 m

### APPLICATIONS

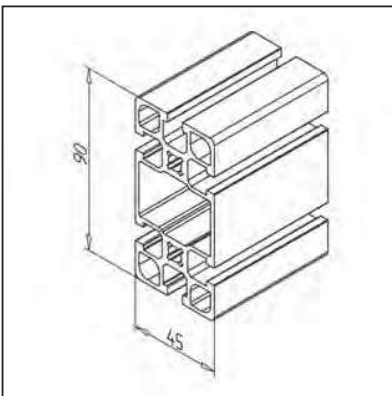
- General weight, optimized engineering structures
- Counterweighted sliding doors and devices

### ASSEMBLY

- MiniTec power-lock fastener
- Angle 19 / 25 / 45 / 45 x 90 GD-Z
- Bolt-fastener 20
- Screw connection

## PROFIL 45 X 90 F

part no. 20.1032/0



### TECHN. DATA / ITEMS SUPPLIED

- I <sub>x</sub> =	100,988 cm <sup>4</sup>
- I <sub>y</sub> =	24,340 cm <sup>4</sup>
- W <sub>x</sub> =	22,441 cm <sup>3</sup>
- W <sub>y</sub> =	10,818 cm <sup>3</sup>
- Weight	3,134 kg/m
- Length	6 m
- Packing unit	24 m

### APPLICATIONS

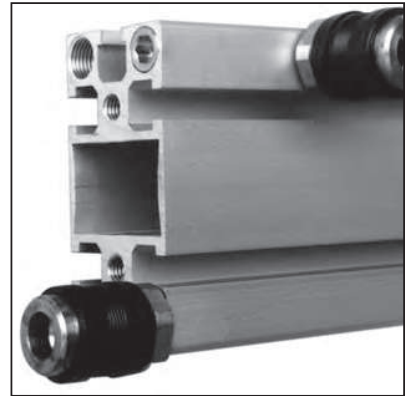
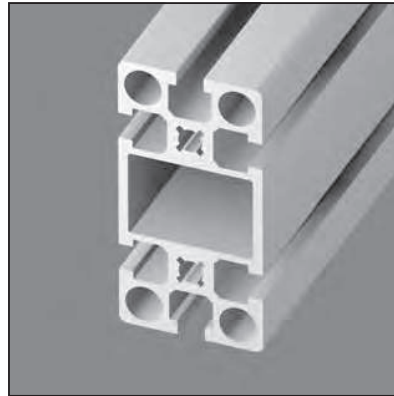
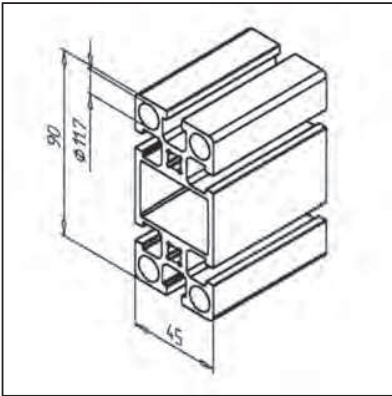
- General constructions
- Counterweighted vertical doors

### ASSEMBLY

- MiniTec power-lock fastener
- Angle 19 / 25 / 45 / 45 x 90 GD-Z
- Bolt-fastener 20

## PROFILE 45 X 90

part no. 20.1009/0



### TECHN. DATA / ITEMS SUPPLIED

- Ix =	113,205 cm <sup>4</sup>
- Iy =	28,584 cm <sup>4</sup>
- wx =	25,156 cm <sup>3</sup>
- wy =	12,704 cm <sup>3</sup>
- Weight	3,667 kg/m
- Length	6 m
- Packing unit	24 m

### APPLICATIONS

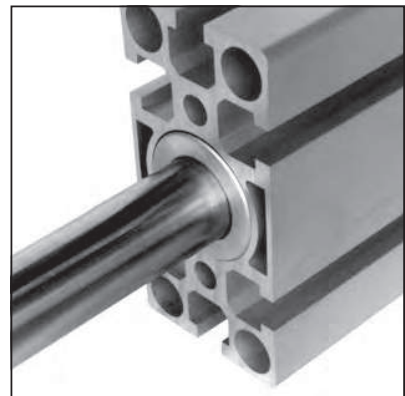
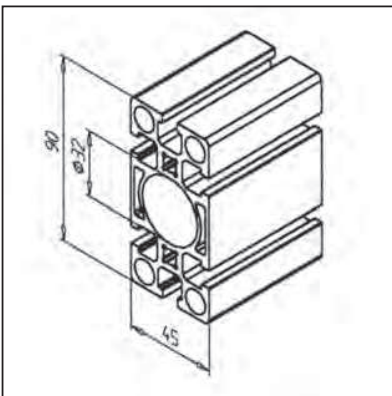
- General heavy duty construction
- 4 cavities for compressed air piping
- Cavity is not suitable for counterweights

### ASSEMBLY

- MiniTec power-lock fastener
- Angle 25 / 45 / 90
- Bolt-fastener
- Bores Ø 11,7 mm reborable for piping thread G 1/4" for connection of blanking screws or pneumatic elements
- Lateral connections G 1/8" direct into the profile

## PROFILE 45 X 90 S

part no. 20.1017/0



### TECHN. DATA / ITEMS SUPPLIED

- Ix =	113,487 cm <sup>4</sup>
- Iy =	30,719 cm <sup>4</sup>
- wx =	25,219 cm <sup>3</sup>
- wy =	13,653 cm <sup>3</sup>
- Weight	3,860 kg/m
- Length	6 m
- Packing unit	24 m

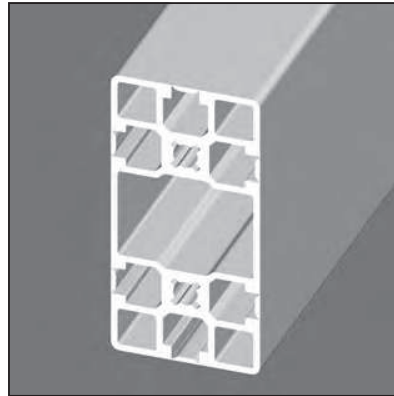
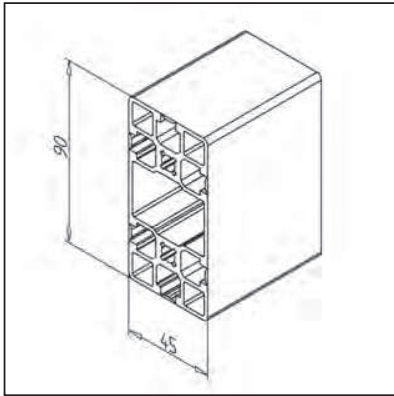
### APPLICATIONS

- General constructions
- Linear guides LB as slide
- Pillar guides
- Use as a compressed air line with connecting plate and seal kit
- Central bore Ø 32 mm for ball-bushings LME 20, for ball-bearings 6201 or 6002, for compressed air piping or guiding of hydraulic add-in cylinders

### ASSEMBLY

- MiniTec power-lock fastener
- Angle 45 / 90
- Screw connection

## PROFILE 45 X 90 G



part no. 20.1015/0

### TECHN. DATA / ITEMS SUPPLIED

- Ix =	101,241 cm <sup>4</sup>
- Iy =	25,318 cm <sup>4</sup>
- wx =	22,498 cm <sup>3</sup>
- wy =	11,252 cm <sup>3</sup>
- Weight	3,191 kg/m
- Length	6 m
- Packing unit	24 m

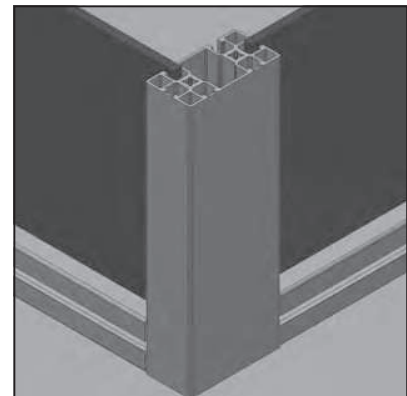
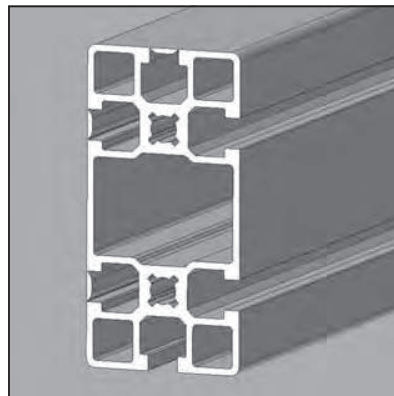
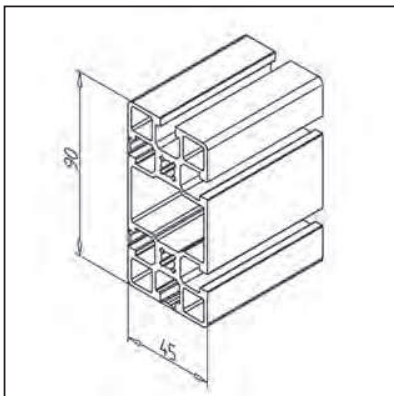
### APPLICATIONS

- General constructions, particularly useful in the food industry, in medical engineering and for the filling of beverages, where strict hygienic standards are set
- Cavity is suitable for counterweights

### ASSEMBLY

- MiniTec power-lock fastener
- All 6 grooves can be opened up to the length desired
- Groove cover be removed using tear-off lever **part no. 26.0815/0**

## PROFILE 45 X 90 2 G



part no. 20.1081/0

### TECHN. DATA / ITEMS SUPPLIED

- Ix =	98,137 cm <sup>4</sup>
- Iy =	24,317 cm <sup>4</sup>
- wx =	21,808 cm <sup>3</sup>
- wy =	10,807 cm <sup>3</sup>
- Weight	3,108 kg/m
- Length	6 m
- Packing unit	24 m

### APPLICATIONS

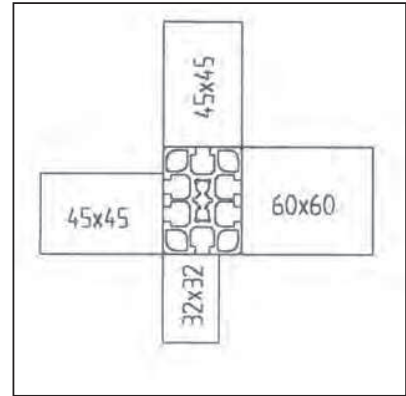
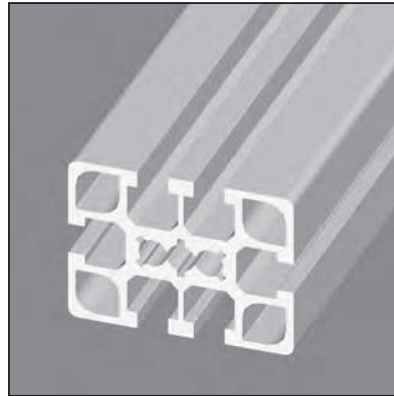
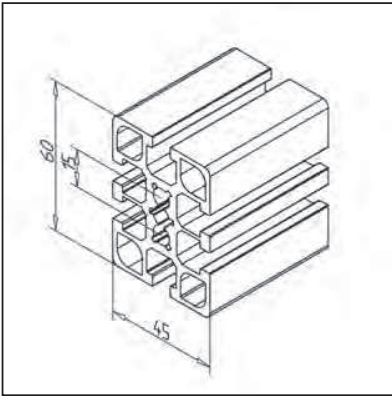
- Groove cover can be torn out
- General constructions, particularly useful in the food industry, in medical engineering and for the filling of beverages, where strict hygienic standards are set
- Cavity is suitable for counterweights

### ASSEMBLY

- MiniTec power-lock fastener
- Groove cover be removed using tear-off lever **part no. 26.0815/0**

## PROFILE 45 X 60 F

part no. 20.1023/0



### TECHN. DATA / ITEMS SUPPLIED

- Ix =	32,068 cm <sup>4</sup>
- Iy =	17,587 cm <sup>4</sup>
- wx =	10,689 cm <sup>3</sup>
- wy =	7,816 cm <sup>3</sup>
- Weight	2,603 kg/m
- Length	6 m
- Packing unit	24 m

### APPLICATIONS

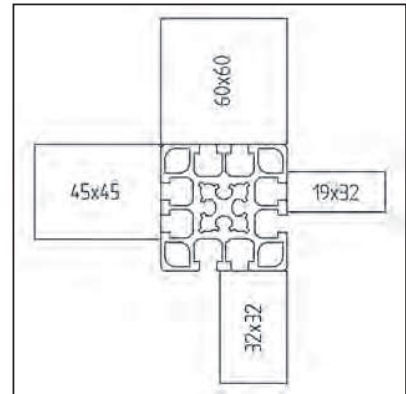
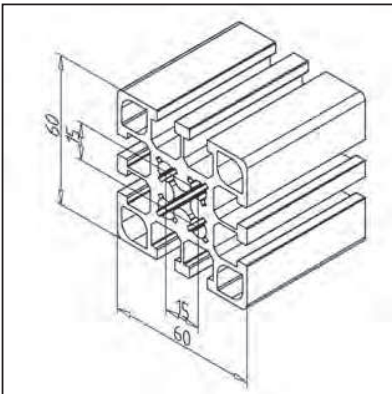
- Universal for general constructions
- Corner post in large guard units

### ASSEMBLY

- MiniTec power-lock fastener
- Angle 19 / 25 / 45 / 45 x 90
- Central boring for thread M8

## PROFILE 60 X 60 F

part no. 20.1049/0



### TECHN. DATA / ITEMS SUPPLIED

- Ix =	40,715 cm <sup>4</sup>
- Iy =	40,715 cm <sup>4</sup>
- wx =	13,571 cm <sup>3</sup>
- wy =	13,571 cm <sup>3</sup>
- Weight	3,655 kg/m
- Length	6 m
- Packing unit	24 m

### APPLICATIONS

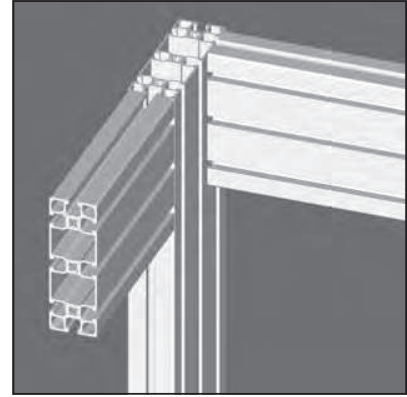
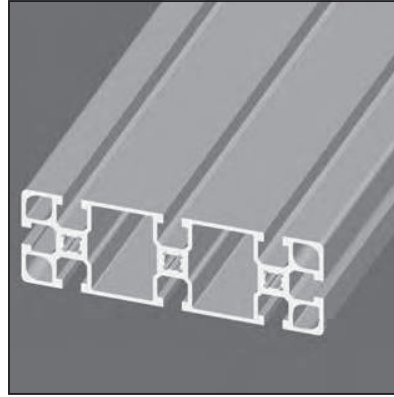
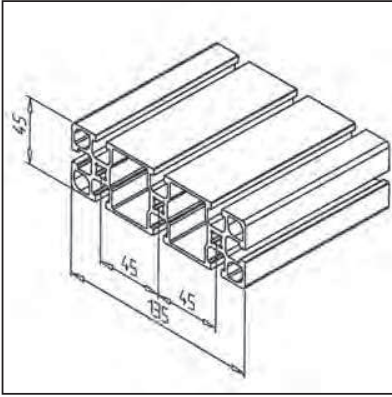
- Universal for general constructions
- Corner post in large guard units

### ASSEMBLY

- MiniTec power-lock fastener
- Angle 19 / 25 / 45 / 45 x 90
- Central boring for thread M10

## PROFILE 45 X 135 F

part no. 20.1087/0



### TECHN. DATA / ITEMS SUPPLIED

- I <sub>x</sub> =	34,958 cm <sup>4</sup>
- I <sub>y</sub> =	307,866 cm <sup>4</sup>
- W <sub>x</sub> =	15,537 cm <sup>3</sup>
- W <sub>y</sub> =	45,609 cm <sup>3</sup>
- Weight	4,319 kg/m
- Length	6 m
- Packing unit	12 m

### APPLICATIONS

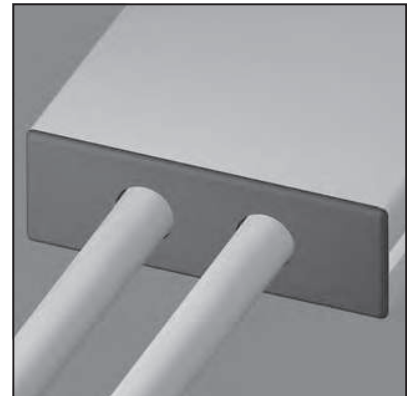
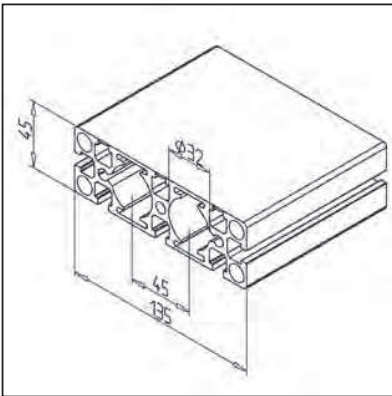
- General constructions
- Cavity is suitable for counterweights

### ASSEMBLY

- MiniTec power-lock fastener
- Angle 19 / 25 / 45 / 45 x 90
- Bolt-fastener

## PROFILE 45 X 135 1G

part no. 20.1078/0



### TECHN. DATA / ITEMS SUPPLIED

- I <sub>x</sub> =	47,064 cm <sup>4</sup>
- I <sub>y</sub> =	359,242 cm <sup>4</sup>
- W <sub>x</sub> =	20,618 cm <sup>3</sup>
- W <sub>y</sub> =	53,221 cm <sup>3</sup>
- Weight	5,570 kg/m
- Length	6 m
- Packing unit	12 m

### APPLICATIONS

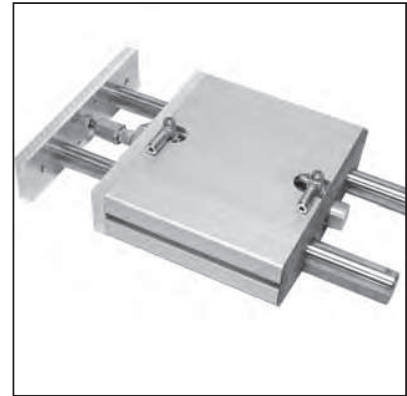
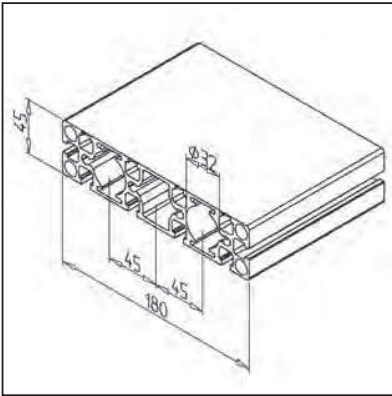
- General constructions, particularly useful in the food industry, in medical engineering and for the filling of beverages, where strict hygienic standards are set
- Linear guides as slide
- Central bore Ø 32 mm for ball-bushings LME 20, for ball-bearings 6201 or 6002, for compressed air piping or guiding of hydraulic add-in cylinders

### ASSEMBLY

- MiniTec power-lock fastener
- 3 closed t-slots can be opened up to any length with the tear-off lever  
**part no. 26.0815/0**

**PROFILE 45 X 180 1G**

part no. 20.1079/0

**TECHN. DATA / ITEMS SUPPLIED**

- I <sub>x</sub> =	61,015 cm <sup>4</sup>
- I <sub>y</sub> =	810,885 cm <sup>4</sup>
- W <sub>x</sub> =	26,704 cm <sup>3</sup>
- W <sub>y</sub> =	90,097 cm <sup>3</sup>
- Weight	6,954 kg/m
- Length	6 m
- Packing unit	12 m

**APPLICATIONS**

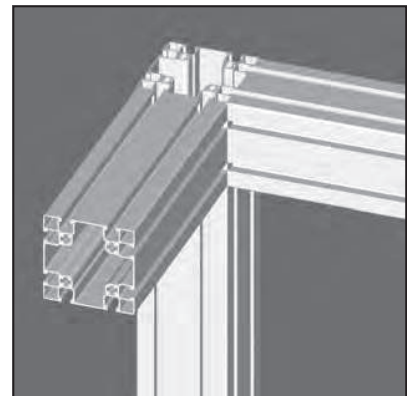
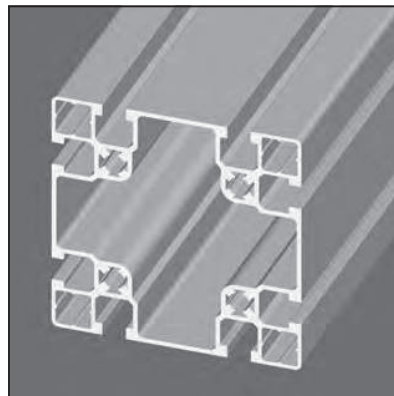
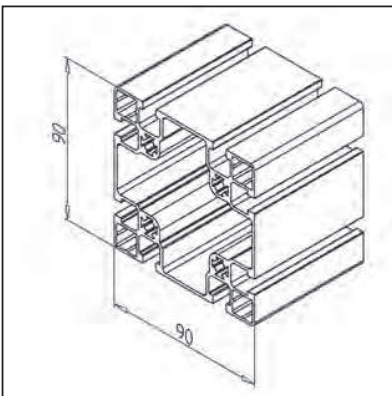
- General constructions, particularly useful in the food industry, in medical engineering and for the filling of beverages, where strict hygienic standards are set
- Linear guides LB as slide
- Central bore Ø 32 mm for ball-bushings LME 20, for ball-bearings 6201 or 6002, for compressed air piping or guiding of hydraulic add-in cylinders

**ASSEMBLY**

- MiniTec power-lock fastener
- 4 closed t-slots can be opened up to any length with the tear-off lever  
**part no. 26.0815/0**

**PROFIL 90 X 90 UL**

part no. 20.0999/0

**TECHN. DATA / ITEMS SUPPLIED**

- I <sub>x</sub> =	132,001 cm <sup>4</sup>
- I <sub>y</sub> =	132,001 cm <sup>4</sup>
- W <sub>x</sub> =	29,334 cm <sup>3</sup>
- W <sub>y</sub> =	29,334 cm <sup>3</sup>
- Weight	3,776 kg/m
- Length	6 m
- Packing unit	12 m

**APPLICATIONS**

- Weight optimized constructions
- Cavity is suitable for counterweights

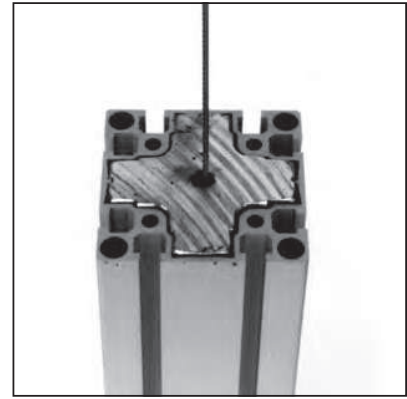
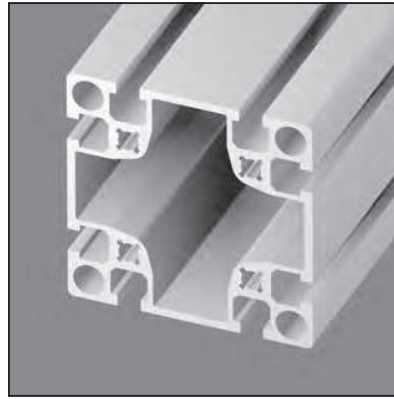
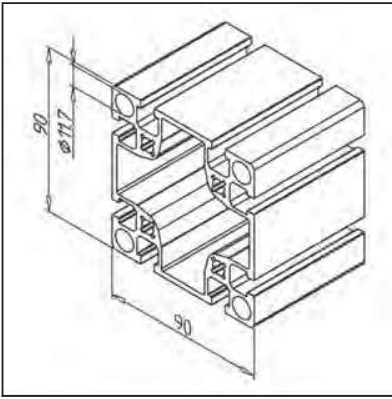
**ASSEMBLY**

- MiniTec power-lock fastener
- Angle 45 GD-Z or 90 GD-Z
- Screw connection
- Bolt-fastener



## PROFILE 90 X 90 L

part no. 20.1010/0



### TECHN. DATA / ITEMS SUPPLIED

- Ix =	186,260 cm <sup>4</sup>
- Iy =	186,260 cm <sup>4</sup>
- wx =	41,391 cm <sup>3</sup>
- wy =	41,391 cm <sup>3</sup>
- Weight	5,222 kg/m
- Length	6 m
- Packing unit	12 m

### APPLICATIONS

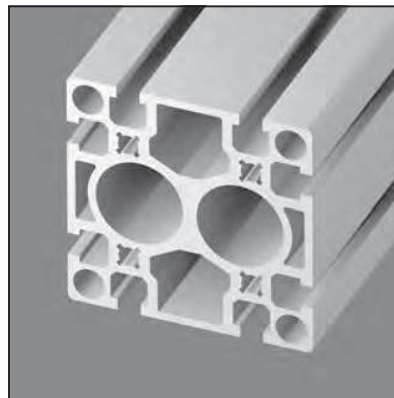
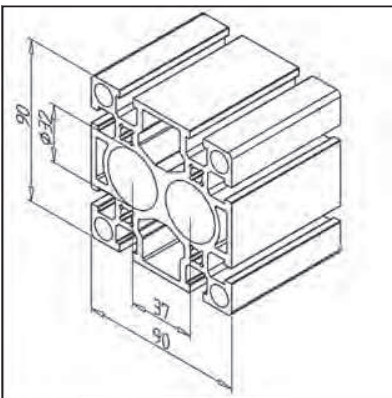
- General heavy duty applications
- Cavity is suitable for counterweights

### ASSEMBLY

- MiniTec power-lock fastener
- Angle 45 GD-Z or 90 GD-Z
- Screw connection
- Bolt-fastener 20

## PROFILE 90 X 90 S

part no. 20.1019/0



### TECHN. DATA / ITEMS SUPPLIED

- Ix =	223,949 cm <sup>4</sup>
- Iy =	208,888 cm <sup>4</sup>
- wx =	49,766 cm <sup>3</sup>
- wy =	46,419 cm <sup>3</sup>
- Weight	7,514 kg/m
- Length	6 m
- Packing unit	12 m

### APPLICATIONS

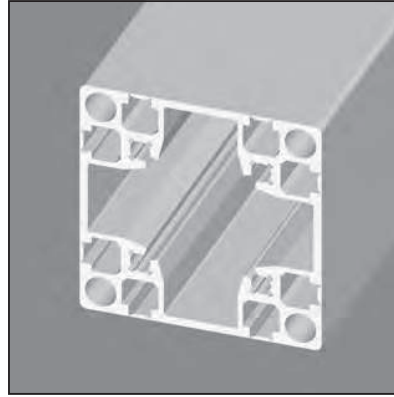
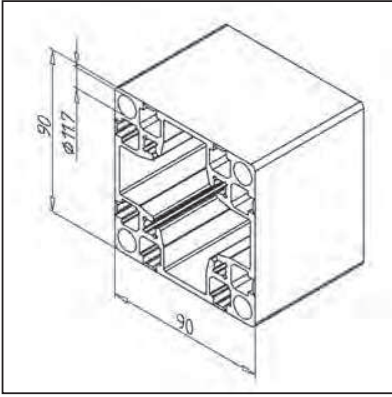
- General heavy duty constructions
- Linear guides LB as slide
- Central bore Ø 32 mm for ball-bushings LME 20, for ball-bearings 6201 or 6002, for compressed air piping or guiding of hydraulic add-in cylinders

### ASSEMBLY

- MiniTec power-lock fastener
- Angle 45 or 90
- Screw connection

**PROFILE 90 X 90 G**

part no. 20.1082/0

**TECHN. DATA / ITEMS SUPPLIED**

- lx =	195,271 cm <sup>4</sup>
- ly =	195,271 cm <sup>4</sup>
- wx =	43,393 cm <sup>3</sup>
- wy =	43,393 cm <sup>3</sup>
- Weight	5,329 kg/m
- Length	6 m
- Packing unit	12 m

**APPLICATIONS**

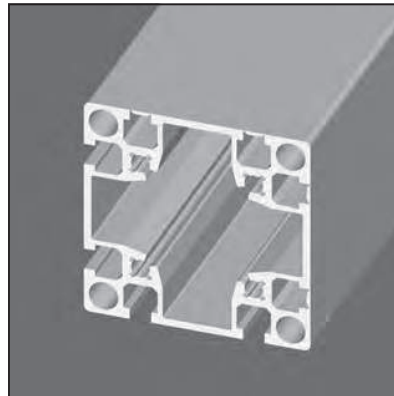
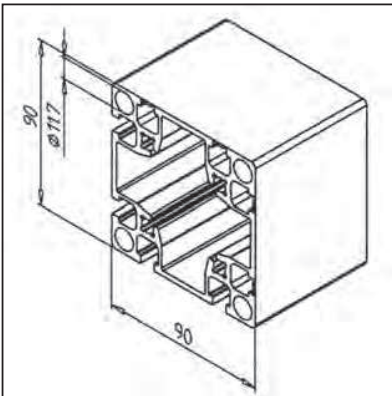
- Groove cover can be torn out
- General constructions, particularly useful in the food industry, in medical engineering and for the filling of beverages, where strict hygienic standards are set
- Cavity is suitable for counterweights

**ASSEMBLY**

- MiniTec power-lock fastener
- 8 closed t-slots can be opened up to any length with the tear-off lever **part no. 26.0815/0**

**PROFILE 90 X 90 2 G**

part no. 20.1044/0

**TECHN. DATA / ITEMS SUPPLIED**

- lx =	190,169 cm <sup>4</sup>
- ly =	190,178 cm <sup>4</sup>
- wx =	41,825 cm <sup>3</sup>
- wy =	42,707 cm <sup>3</sup>
- Weight	5,217 kg/m
- Length	6 m
- Packing unit	12 m

**APPLICATIONS**

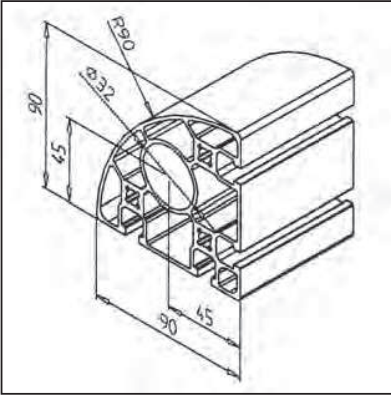
- Groove cover can be torn out
- General constructions, particularly useful in the food industry, in medical engineering and for the filling of beverages, where strict hygienic standards are set
- Cavity is suitable for counterweights

**ASSEMBLY**

- MiniTec power-lock fastener
- 4 closed t-slots can be opened up to any length with the tear-off lever **part no. 26.0815/0**

## PROFILE 90 R 90°

part no. 20.1091/0



### TECHN. DATA / ITEMS SUPPLIED

- Ix =	113,389 cm <sup>4</sup>
- Iy =	113,389 cm <sup>4</sup>
- wx =	21,874 cm <sup>3</sup>
- wy =	21,874 cm <sup>3</sup>
- Weight	4,265 kg/m
- Length	6 m
- Packing unit	12 m

### APPLICATIONS

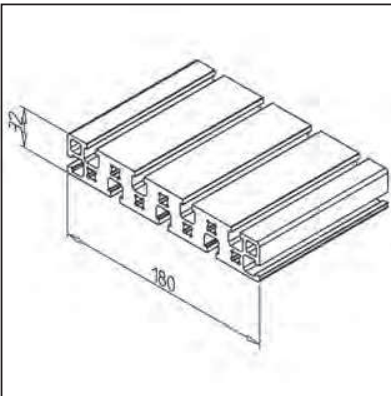
- Tables, frames
- General constructions

### ASSEMBLY

- MiniTec power-lock fastener
- Angle
- Cross bolt-fastener
- Bolt-fastener
- End cap, **part no. 22.1021/1**
- Base and transport plate M10 - M20
- Corner Connection 90 R 90°

## PROFILE 32 X 180

part no. 20.1016/0



### TECHN. DATA / ITEMS SUPPLIED

- Ix =	33,804 cm <sup>4</sup>
- Iy =	843,825 cm <sup>4</sup>
- wx =	21,068 cm <sup>3</sup>
- wy =	93,758 cm <sup>3</sup>
- Weight	9,539 kg/m
- Length	6 m
- Packing unit	6 m

### APPLICATIONS

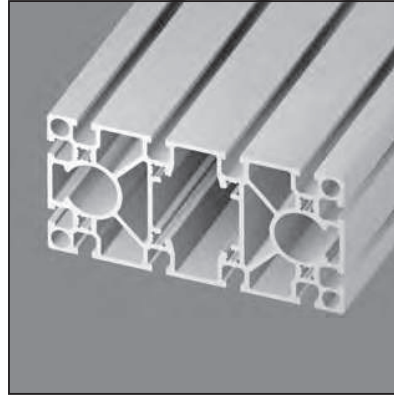
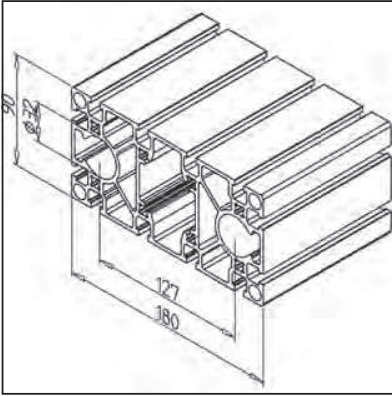
- Slides for MiniTec- linear system LR
- Clamping surfaces
- Base plate
- Heavy duty constructions

### ASSEMBLY

- MiniTec power-lock fastener
- Angle 45 GD-Z or 90 GD-Z
- Screw connection

## PROFILE 90 X 180 S

part no. 20.1013/0



### TECHN. DATA / ITEMS SUPPLIED

- I <sub>x</sub> =	376,784 cm <sup>4</sup>
- I <sub>y</sub> =	1421,865 cm <sup>4</sup>
- w <sub>x</sub> =	83,729 cm <sup>3</sup>
- w <sub>y</sub> =	157,983 cm <sup>3</sup>
- Weight	11,482 kg/m
- Length	6 m
- Packing unit	6 m

### APPLICATIONS

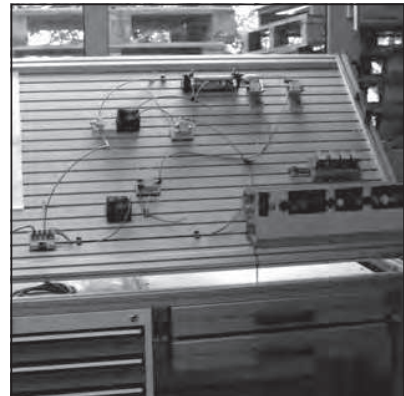
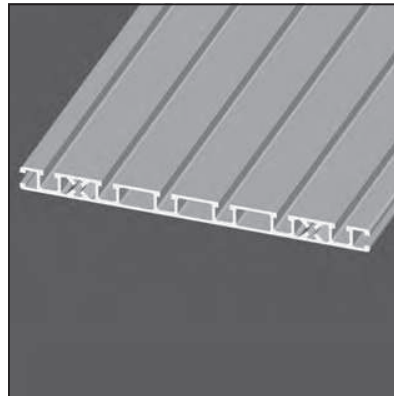
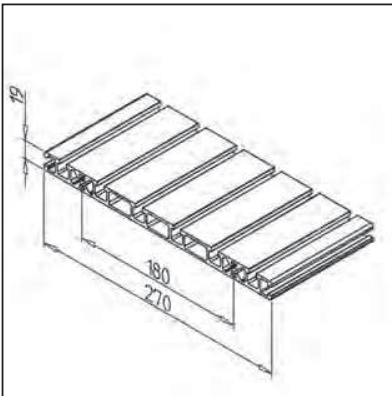
- General heavy duty constructions
- Linear guiding LB as slide
- Central bore Ø 32 mm for ball-bushings LME 20, for ball-bearings 6201 or 6002, for compressed air piping or guiding of hydraulic add-in cylinders

### ASSEMBLY

- MiniTec power-lock fastener
- Angle 45 or 90
- Screw connection

## PROFILE 270 X 19

part no. 20.1077/0



### TECHN. DATA / ITEMS SUPPLIED

- I <sub>x</sub> =	10,348 cm <sup>4</sup>
- I <sub>y</sub> =	1352,197 cm <sup>4</sup>
- w <sub>x</sub> =	10,167 cm <sup>3</sup>
- w <sub>y</sub> =	100,162 cm <sup>3</sup>
- Weight	5,612 kg/m
- Length	6 m
- Packing unit	18 m

### APPLICATIONS

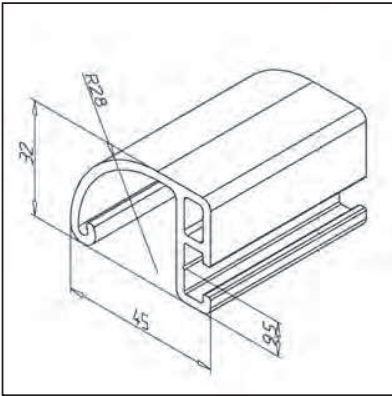
- Table tops
- Workstations
- Can be used for breadboard constructions in schooling and training projects - i.e. pneumatic, electronics, automatic-control with universal clamping socket, **part no. P20060/0**
- Demonstration units

### ASSEMBLY

- MiniTec power-lock fastener
- Screw connection
- Bolt-fastener 15, **part no. 21.1024/0**

## HANDLE PROFILE

part no. 20.1045/0



### TECHN. DATA / ITEMS SUPPLIED

- lx =	3,531 cm <sup>4</sup>
- ly =	7,654 cm <sup>4</sup>
- wx =	1,985 cm <sup>3</sup>
- wy =	2,856 cm <sup>3</sup>
- Weight	0,890 kg/m
- Length	6 m

### APPLICATIONS

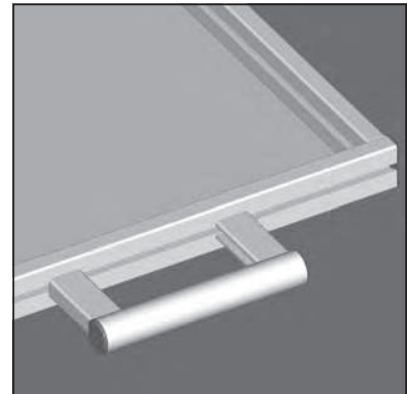
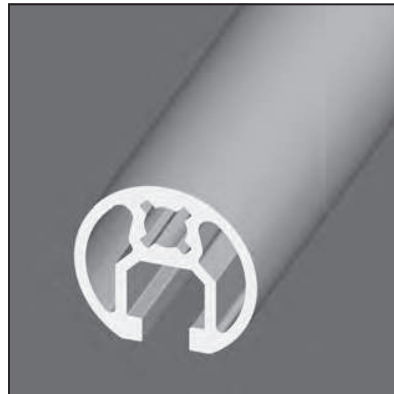
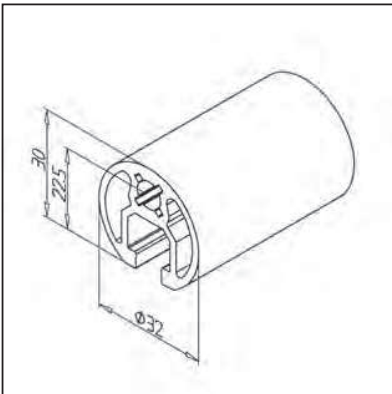
- Handles of different lengths
- Edges
- Table edges
- Cover ledge for cable, pneumatic conducts

### ASSEMBLY

- Screw connection
- Mounting angle
- Lateral cover with end caps left **part no. 22.1055/0** and right **part no. 22.1054/0**

## HANDLE PROFILE 32

part no. 20.1088/0



### TECHN. DATA / ITEMS SUPPLIED

- lx =	2,601 cm <sup>4</sup>
- ly =	2,636 cm <sup>4</sup>
- wx =	1,682 cm <sup>3</sup>
- wy =	1,649 cm <sup>3</sup>
- Weight	0,911 kg
- Length	6 m
- Packing unit	84 m

### APPLICATIONS

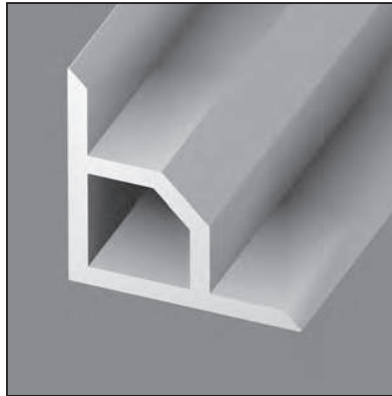
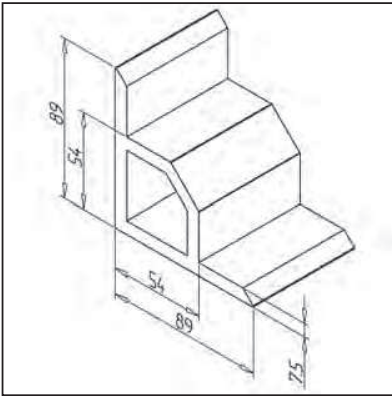
- Handles of different lengths for doors, drawers, handrails
- Edging of panel elements or posters up to 8 mm
- Horizontal profile for fixing of small roller conveyors

### ASSEMBLY

- MiniTec power lock fastener
- Angle 19 GD, **part no. 21.1107/0**
- Bolt-fastener
- Screw connection
- Lateral cover with end cap for handle profile 32

**ANGULAR PROFILE 89 X 89**

part no. 20.1011/0

**TECHN. DATA / ITEMS SUPPLIED**

- Ix =	105,416 cm <sup>4</sup>
- Iy =	105,416 cm <sup>4</sup>
- wx =	17,413 cm <sup>3</sup>
- wy =	17,413 cm <sup>3</sup>
- Weight	4,868 kg/m
- Length	3 m
- Packing unit	36 m

**APPLICATIONS**

- Consoles
- Support surface
- Material for special mounting angles

**ASSEMBLY**

- Screws M8 x 20 and square nuts M8
-------------------------------------

**Profilex s.a.**

6b, Z.I. In den Allern  
L-9911 Troisvierges  
Phone LU : +352 99 89 06  
Phone BE : +32 28 88 16 29  
Fax : +352 26 95 73 73

[info@profilex-systems.com](mailto:info@profilex-systems.com)  
[www.profilex-systems.com](http://www.profilex-systems.com)