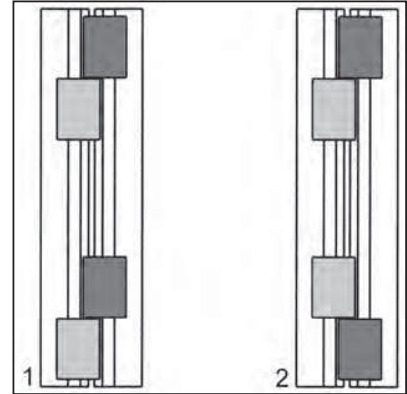
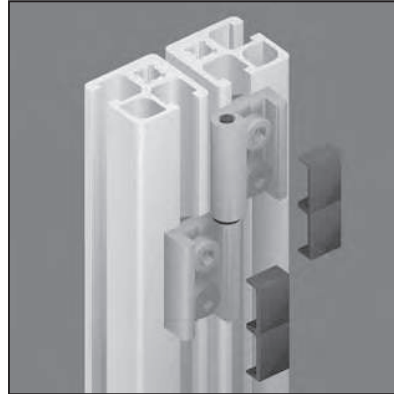
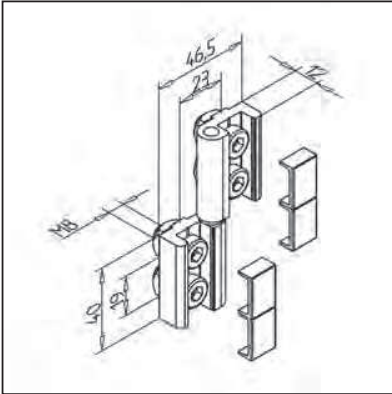


## HINGE 19

part no. 21.1100/0



### TECHN. DATA / ITEMS SUPPLIED

- Aluminium, natural anodized with stainless steel cylinder
- Fastening kit
- End caps
- Weight 0,111 kg
- Load max. 400 N
- Order with position fixing nuts, part no. 21.1100/7

### APPLICATIONS

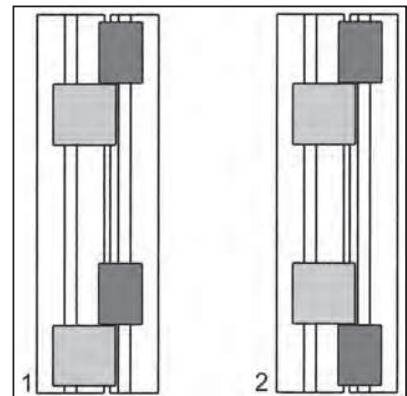
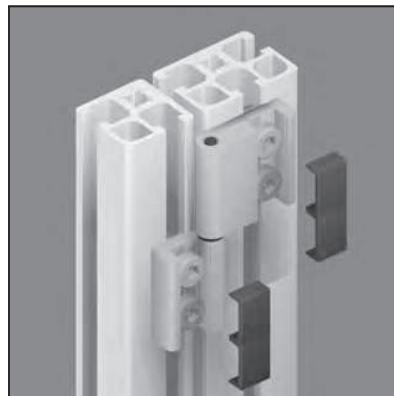
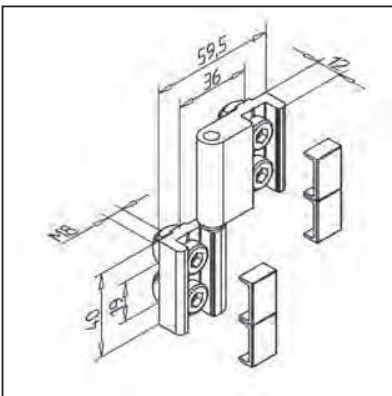
- Swing doors and lids
- Mount in reversed orientation for non lift removable or horizontal applications
- Connection of profiles 19 at various angles

### ASSEMBLY

- Use fastening kit
- For fixing directly on panel elements or on profile surfaces we deliver hinge 19 without fixing element **part no. 21.1100/2**
- 1: lift removable
- 2: non lift removable

## HINGE 32

part no. 21.1095/0



### TECHN. DATA / ITEMS SUPPLIED

- Aluminium, natural anodized with stainless steel cylinder
- Fastening kit
- End caps
- Weight 0,128 kg
- Load max. 400 N
- Order with position fixing nuts, part no. 21.1095/7

### APPLICATIONS

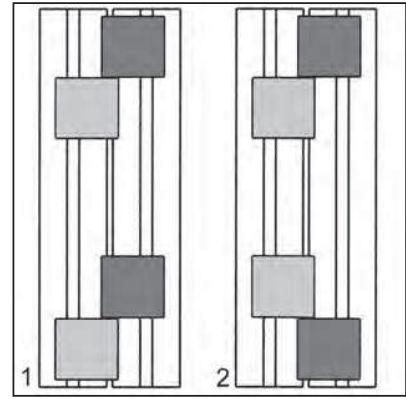
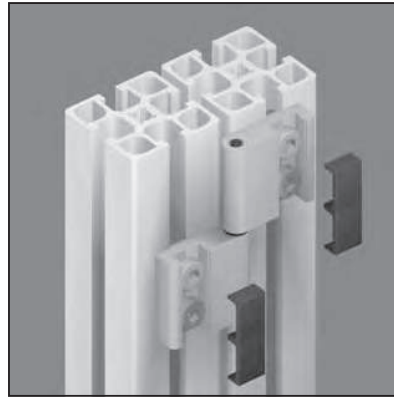
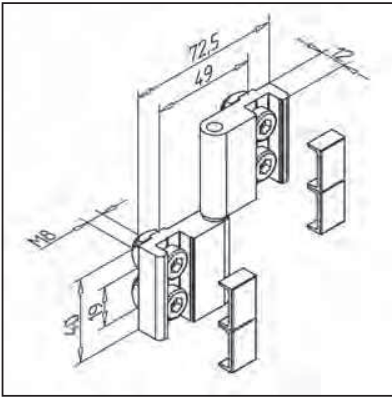
- Swing doors and lids
- Mount in reversed orientation for non lift removable or horizontal applications
- Connection of profiles 19, 32 and 45 at various angles

### ASSEMBLY

- Use fastening kit
- For fixing directly on panel elements or on profile surfaces we deliver hinge 32 without fixing element **part no. 21.1095/2**
- 1: lift removable
- 2: non lift removable

## HINGE 45

part no. 21.1096/0



### TECHN. DATA / ITEMS SUPPLIED

- Aluminium, natural anodized with stainless steel cylinder
- Fastening kit
- End caps
- Weight 0,145 kg
- Load max. 400 N
- Order with position fixing nuts, part no. 21.1096/7

### APPLICATIONS

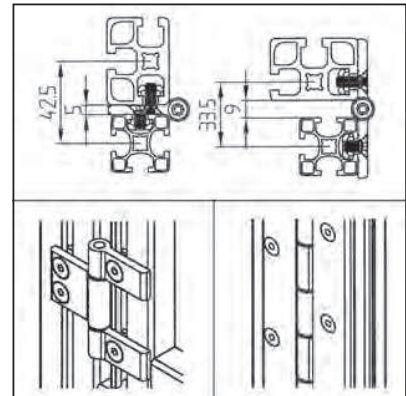
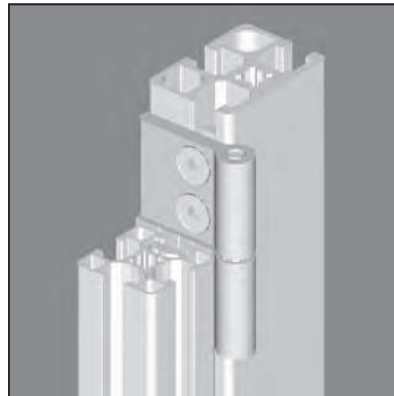
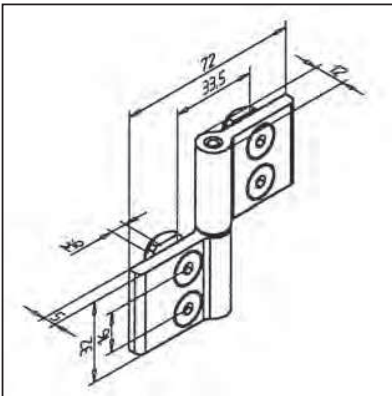
- Swing doors and lids
- Connection of profiles 45 at various angles
- Attachment of guards
- Mount in reversed orientation for non lift removable or horizontal applications

### ASSEMBLY

- Use fastening kit
- For fixing directly on panel elements or on profile surfaces we deliver hinge 45 without fixing element **part no. 21.1096/2**
- 1: lift removable
- 2: non lift removable

## HINGE L 19/30

part no. 21.1374/0



### TECHN. DATA / ITEMS SUPPLIED

- Aluminium, natural anodized, steel cylinder-bolt
- Fastening kit
- End caps
- Weight 0,089 kg
- Load max. 400 N

### APPLICATIONS

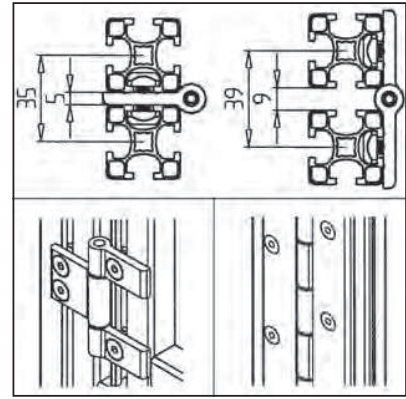
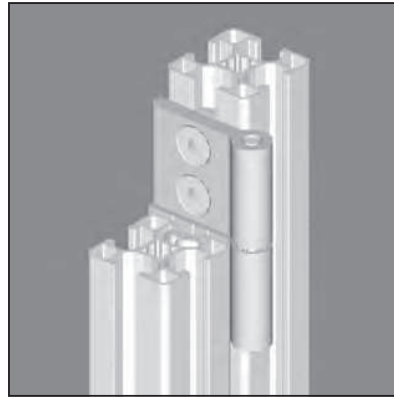
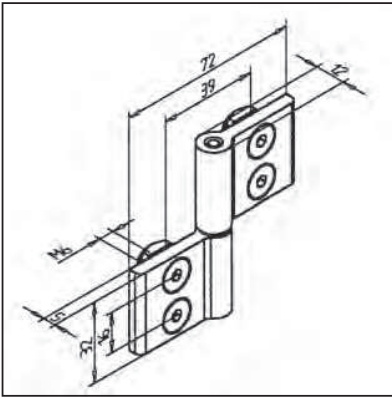
- Doors, lids, movable attached constructions on profiles 19, 32 and 45
- According to arrangement of hinges, lift removable or non-lift-removable constructions are possible
- Connection of profiles 19 and 30 at various angles

### ASSEMBLY

- Use fastening kit
- For production of hinges in various length or bore distances or piano-hinges extrusion **part no. 20.0093/0** is available

## HINGE L 30/30

part no. 21.1376/0



### TECHN. DATA / ITEMS SUPPLIED

- Aluminium, natural anodized, steel cylinder-bolt	
- Fastening kit	
- End caps	
- Weight	0,089 kg
- Load max.	400 N

### APPLICATIONS

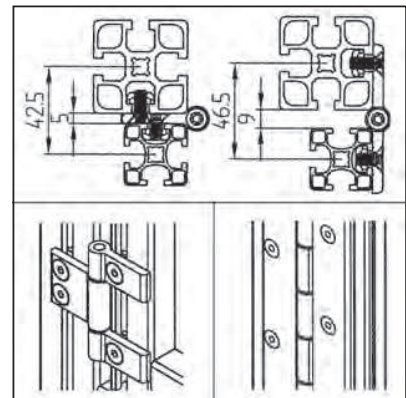
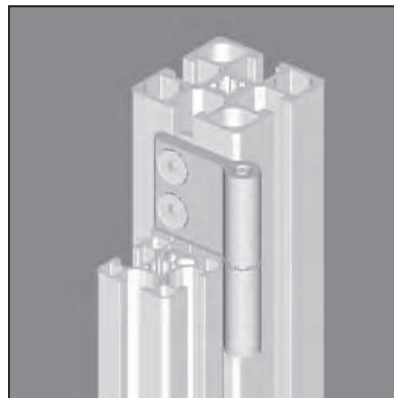
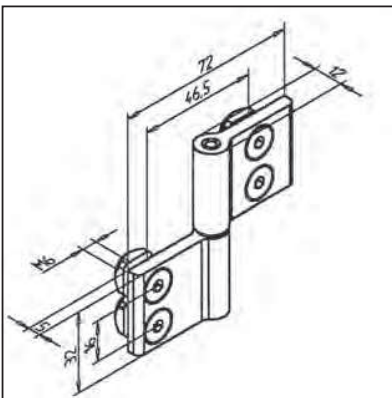
- Doors, lids, movable attached constructions
- According to arrangement of hinges, lift removable or non-lift-removable constructions are possible
- Connection of profiles 30 at various angles

### ASSEMBLY

- Use fastening kit
- For production of hinges in various length or bore distances or piano-hinges extrusion **part no. 20.0093/0** is available

## HINGE L 30/45

part no. 21.1377/0



### TECHN. DATA / ITEMS SUPPLIED

- Aluminium, natural anodized, steel cylinder-bolt	
- Fastening kit	
- End caps	
- Weight	0,089 kg
- Load max.	400 N

### APPLICATIONS

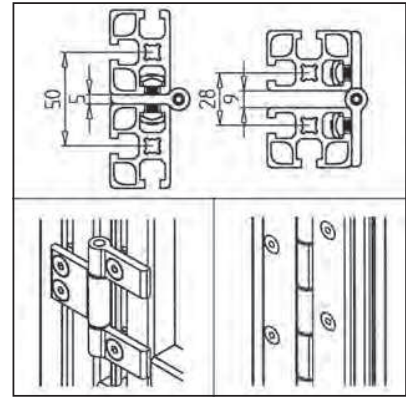
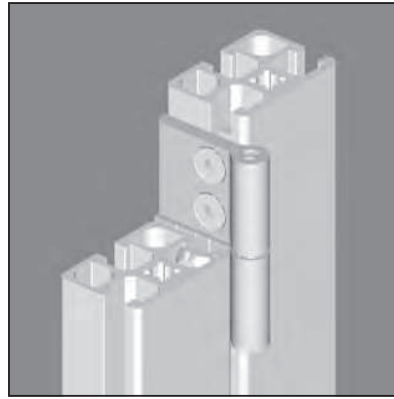
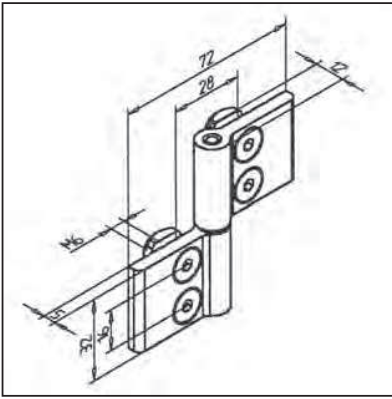
- Doors, lids, movable attached constructions
- According to arrangement of hinges, lift removable or non-lift-removable constructions are possible
- Connection of profiles 30 and 45 at various angles

### ASSEMBLY

- Use fastening kit
- For production of hinges in various length or bore distances or piano-hinges extrusion **part no. 20.0093/0** is available

## HINGE L 19/19

part no. 21.1373/0



### TECHN. DATA / ITEMS SUPPLIED

- Aluminium, natural anodized with stainless steel cylinder	
- Fastening kit	
- Weight	0,089 kg
- Load max.	400 N

### APPLICATIONS

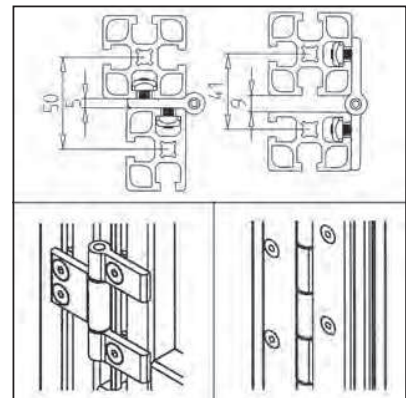
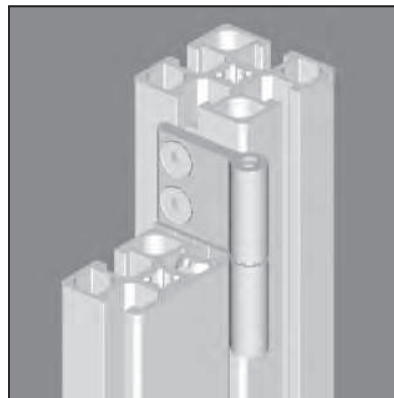
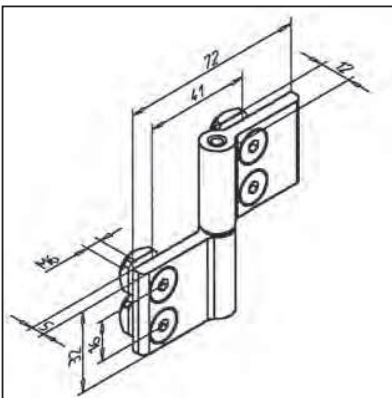
- Doors, lids, movable attachments at profiles 19 and 32
- Attachment of guards
- Mount in reversed orientation for non lift removable or horizontal applications
- Connection of profiles 19 at various angles

### ASSEMBLY

- Use fastening kit
- For production of hinges at various length or piano-hinges is hinge-profile 5GB, **part no. 20.0093/0** available

## HINGE L 19/45

part no. 21.1375/0



### TECHN. DATA / ITEMS SUPPLIED

- Aluminium, natural anodized with stainless steel cylinder	
- Fastening kit	
- Weight	0,089 kg
- Load max.	400 N

### APPLICATIONS

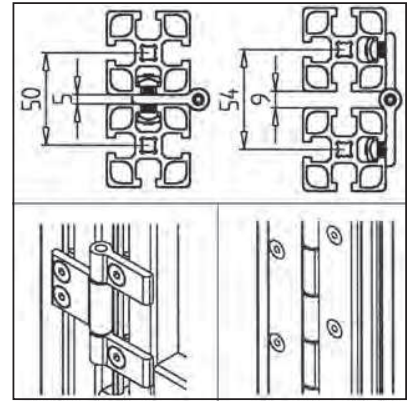
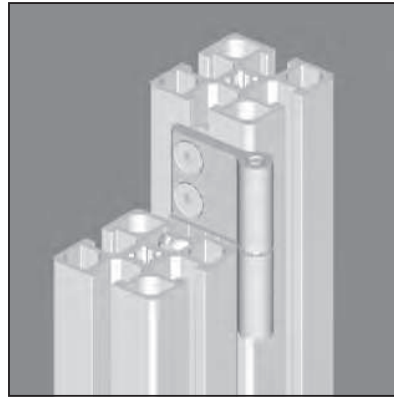
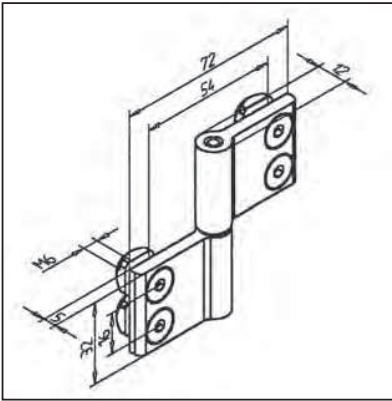
- Doors, lids, movable attachments at profiles 19, 32 and 45
- Mounting of guards
- Mount in reversed orientation for non lift removable or horizontal applications
- Connection of profiles 19, 32 and 45 at various angles

### ASSEMBLY

- Use fastening kit
- For production of hinges at various length or piano-hinges is hinge-profile 5GB, **part no. 20.0093/0** available

## HINGE L 45/45

part no. 21.1378/0



### TECHN. DATA / ITEMS SUPPLIED

- Aluminium, natural anodized with stainless steel cylinder
- Fastening kit
- Weight 0,089 kg
- Load max. 400 N

### APPLICATIONS

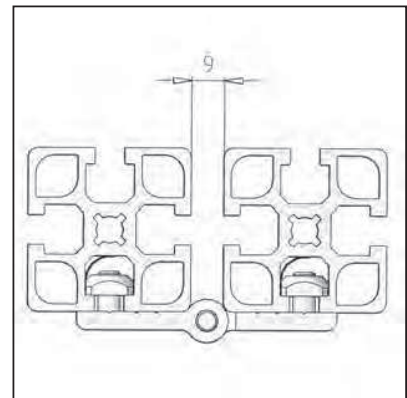
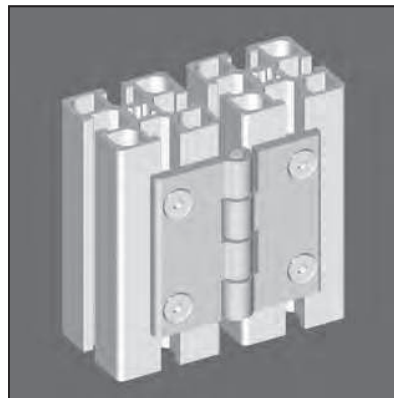
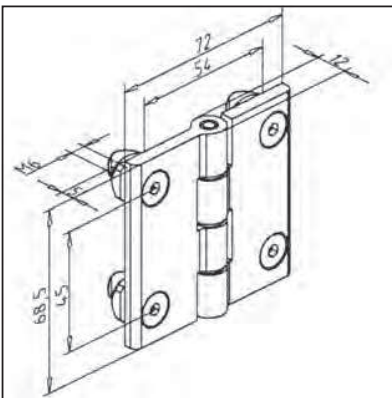
- Doors, lids, movable attachments at profiles 45
- Mounting of guards
- Mount in reversed orientation for non lift removable or horizontal applications
- Connection of profiles 45 at various angles

### ASSEMBLY

- Use fastening kit
- For production of hinges at various length or piano-hinges is hinge-profile 5GB, **part no. 20.0093/0** available

## DOOR HINGE SMALL

part no. 21.0973/0



### TECHN. DATA / ITEMS SUPPLIED

- Aluminium
- Fastening kit
- Weight 0,120 kg

### APPLICATIONS

- Suitable for large doors and lids
- Guard units
- Connection of profiles at any angle

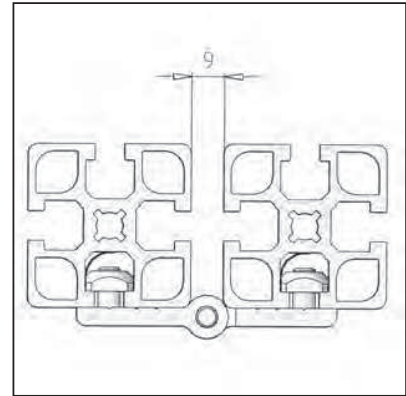
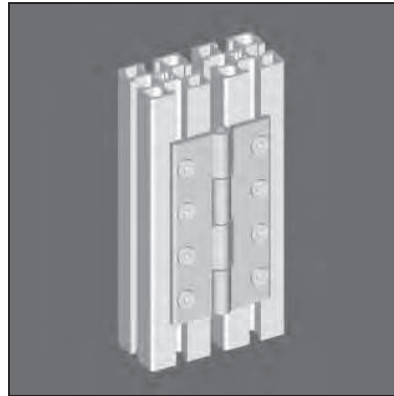
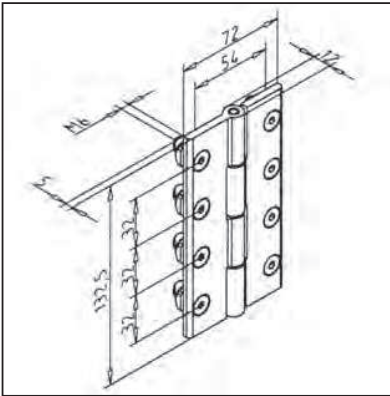
### ASSEMBLY

- Use fastening kit



## DOOR HINGE LARGE

part no. 21.0970/0



### TECHN. DATA / ITEMS SUPPLIED

- Aluminium
- Fastening kit
- Weight 0,235 kg

### APPLICATIONS

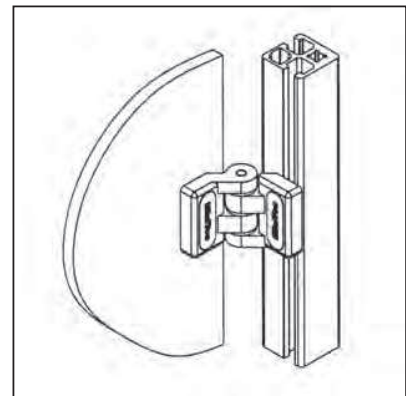
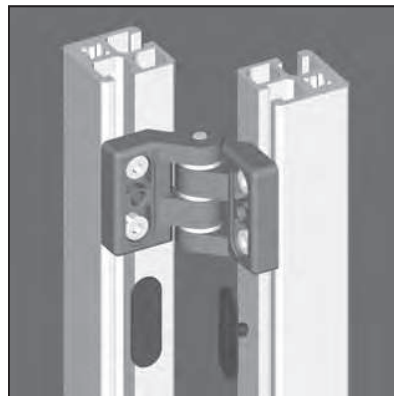
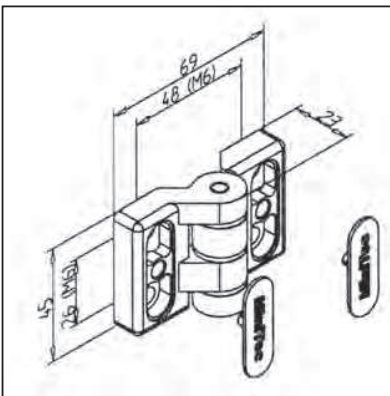
- Suitable for large doors and lids
- Guard units
- Connection of profiles at any angle

### ASSEMBLY

- Use fastening kit

## HINGE 19 S

part no. 21.1044/0



### TECHN. DATA / ITEMS SUPPLIED

- Aluminium GD, powder coated, grey
- Without fastening kit
- End caps
- Weight 0,100 kg
- Load max. 600 N

### APPLICATIONS

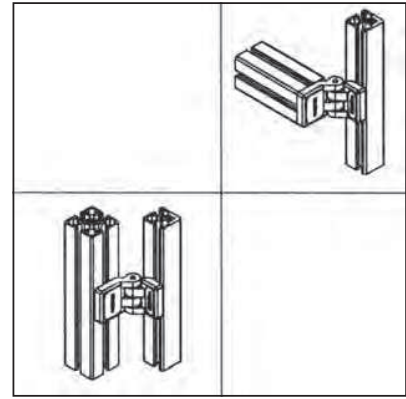
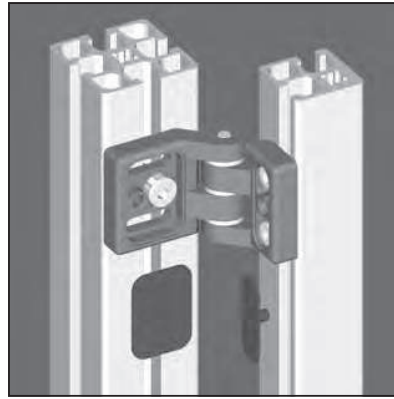
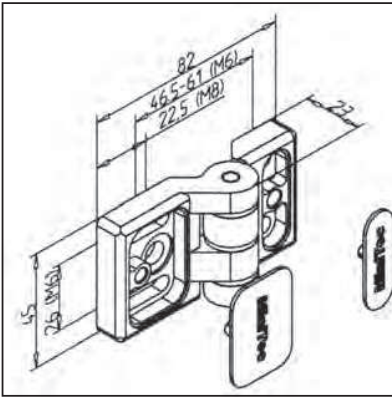
- Suitable for large doors and flaps of profiles type 19 or 32
- Guard units
- Connection of profiles 19 and 32 at any angle

### ASSEMBLY

- Fasten hinge with 2 M6 x 18 bolts and 2 square nuts on the profile groove, or with screws corresponding to the material thickness directly on the panel elements
- For heavy-duty applications use multiple hinges
- Bending range 270°

## HINGE 32 S

part no. 21.1055/0



### TECHN. DATA / ITEMS SUPPLIED

- Aluminium GD, powder-coated, grey
- Without fastening kit
- End caps
- Weight 0,105 kg
- Load max. 600 N

### APPLICATIONS

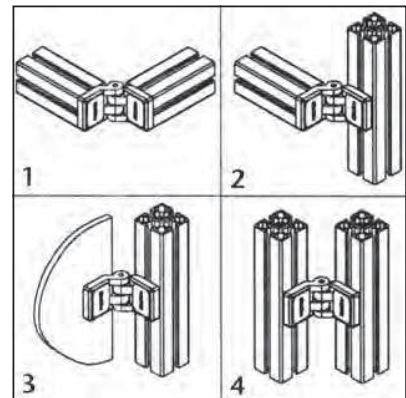
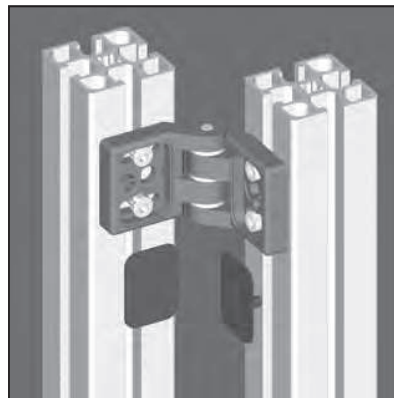
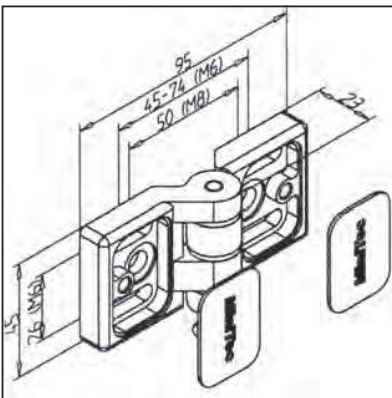
- Suitable for large doors and flaps
- Guard units
- Connection of profiles 19, 32 and 45 at any angles

### ASSEMBLY

- Fasten hinge with 2 M6 x 18 bolts and 2 square nuts on the profile groove or with screws corresponding to the material thickness directly on the panel elements
- Other hinge half on profile 45 x 45 with screw M8 x 30 or 2 screws M6 x 18 fasten
- For heavy-duty applications use multiple hinges
- Bending range 270°

## HINGE 45 S

part no. 21.1098/0



### TECHN. DATA / ITEMS SUPPLIED

- Aluminium GD, powder-coated, grey
- Without fastening kit
- End caps
- Weight 0,100 kg
- Load max. 600 N

### APPLICATIONS

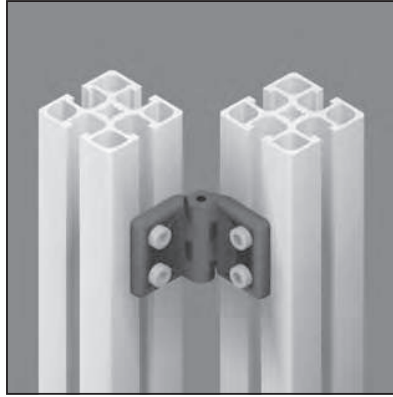
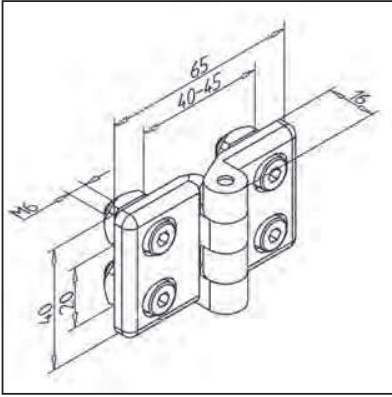
- Suitable for large doors and flaps
- Guard units
- Connection of profiles at various angles
- For heavy-duty application use multiple hinges

### ASSEMBLY

- 1: 2 screws M8 x 30
- 2: 2 screws M6 x 18, 2 square nuts M6, 1 screw M8 x 30
- 3: 2 screws M6 x 18, 2 square nuts M6, 2 screws M6 for panel element according to material
- 4: 4 screws M6 x 18, 4 square nuts M6
- Bending range 270°

## HINGE 45 M6

part no. 21.1175/0



### TECHN. DATA / ITEMS SUPPLIED

- ABS, grey
- Fastening kit
- Weight 0,061 kg
- Load max. 160 N

### APPLICATIONS

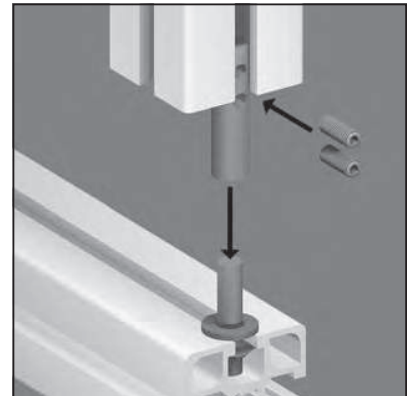
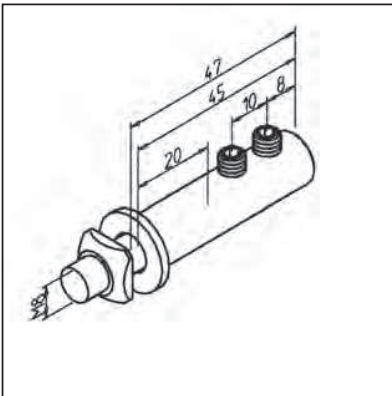
- Suitable for light doors and lids
- Guard units
- Connection of profiles at various angles

### ASSEMBLY

- Use fastening kit

## INTERNAL HINGE AL

part no. 21.1142/0



### TECHN. DATA / ITEMS SUPPLIED

- Aluminium, natural
- Fastening kit
- Weight 0,020 kg
- Load max. 250 N

### APPLICATIONS

- Doors
- Lids
- Movable elements
- Subsequent insertion of doors

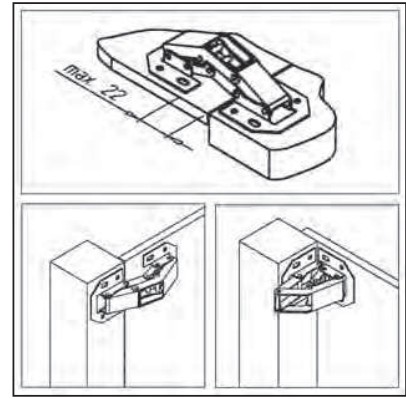
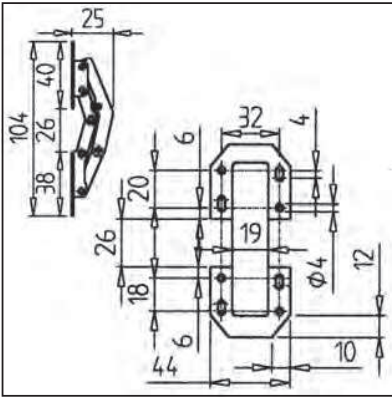
### ASSEMBLY

- Screw snap bolts onto the frame and insert washer
- Insert hinge into door element
- Hold the door element above the grooves, push hinges onto snap bolts and tighten them



## SWING-OUT HINGE

part no. 21.1187/0



### TECHN. DATA / ITEMS SUPPLIED

- Steel, zinc plated	
- Without fastening kit	
- Weight	0,082 kg
- Load max.	50 N

### APPLICATIONS

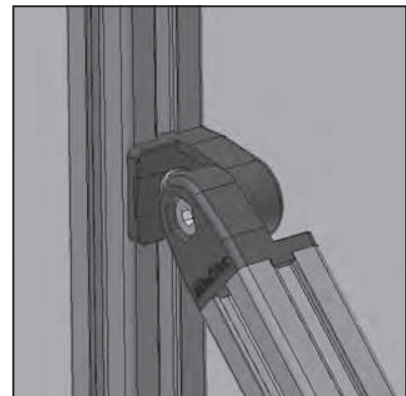
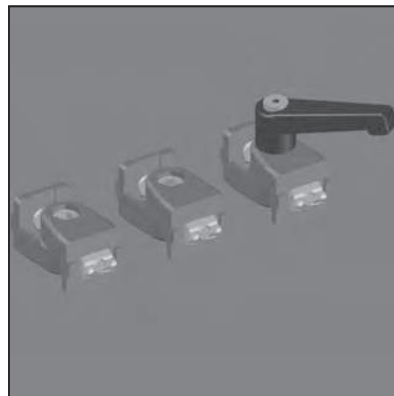
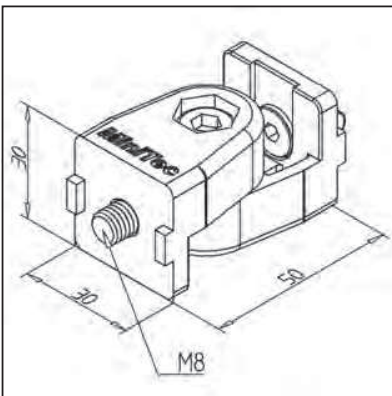
- Light doors
- Show cases, Fair equipment, guards
- Doors close without gap, bearing on the outside or flush on the inside

### ASSEMBLY

- On profile grooves with screws M4 x 16 and square nut M4
- Direct fastening on panel elements; screw length according to material thickness
- Direct fastening on profile surface

## LINK 30 S

part no. 21.2106/0



### TECHN. DATA / ITEMS SUPPLIED

- Aluminium GD, powder coated, grey	
- Fastening kit	
- Locking device against torsion	
- Weight	0,087 kg

### APPLICATIONS

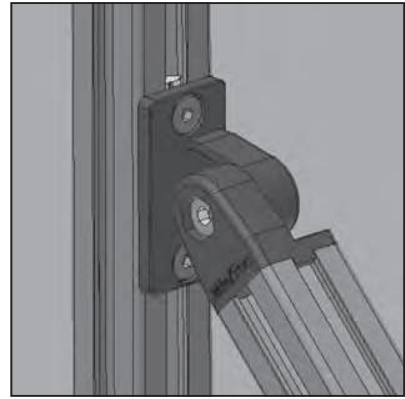
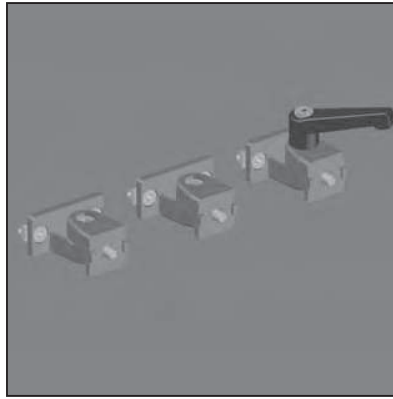
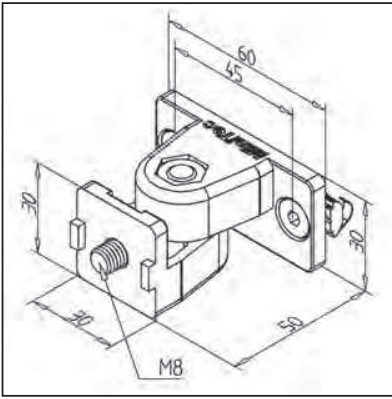
- Connection of profiles at any angle
- Subsequent insertion of profiles into existing frames
- Alternatively: Angle bracket 30 S **part no. 21.2222/0**
- Alternatively: Angle bracket fixed 30 S **part no. 21.2225/0**

### ASSEMBLY

- First part of hinge to be mounted on profile face
- Second part of hinge to be mounted on frame
- Screw both parts together on hinge point

## LINK 30 F / S

part no. 21.2105/0



### TECHN. DATA / ITEMS SUPPLIED

- Aluminium GD, powder coated, grey
- Fastening kit
- Locking device against torsion
- Weight 0,105 kg

### APPLICATIONS

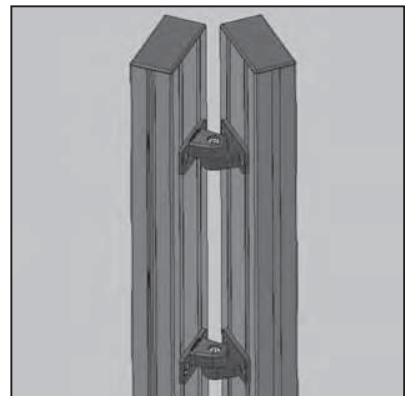
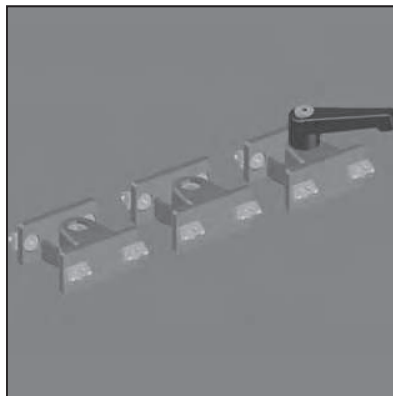
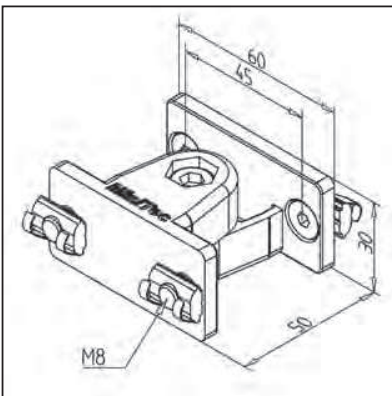
- Connection of profiles at any angle
- Subsequent insertion of profiles into existing frames
- Alternatively:  
Angle bracket 30 F / S **part no. 21.2221/0**
- Alternatively:  
Angle bracket fixed 30 F / S **part no. 21.2224/0**

### ASSEMBLY

- First part of hinge to be mounted on profile face
- Mount profile with angle bracket on frame

## LINK 30 F

part no. 21.2111/0



### TECHN. DATA / ITEMS SUPPLIED

- Aluminium GD, powder coated, grey
- Fastening kit
- Locking device against torsion
- Weight 0,126 kg

### APPLICATIONS

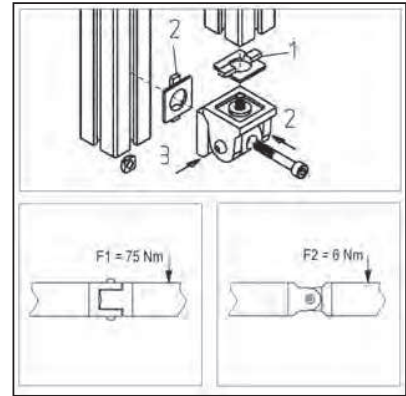
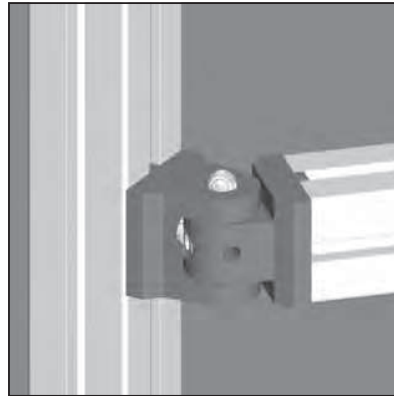
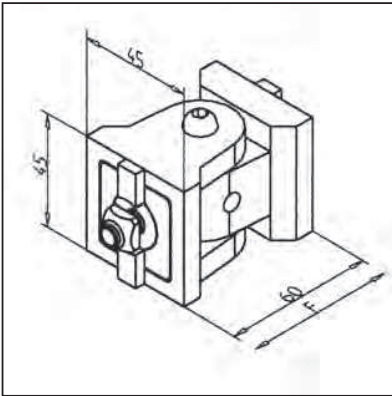
- Connection of profiles at any angle
- Subsequent insertion of profiles into existing frames
- Alternatively:  
Angle bracket 30 F **part no. 21.2223/0**
- Alternatively:  
Angle bracket fixed 30 F **part no. 21.2226/0**

### ASSEMBLY

- Fastening of hinges on profile groove
- Screw both parts together on hinge point

## LINK

part no. 21.2030/0



### TECHN. DATA / ITEMS SUPPLIED

- Aluminium GD, powder coated, grey
- Fastening kit
- AL GD locking device against torsion
- Load Fmax. 5000 N
- Weight 0,250 kg

### APPLICATIONS

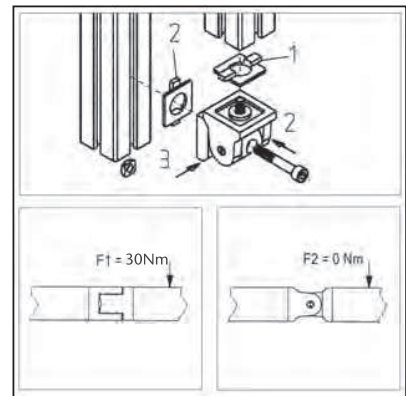
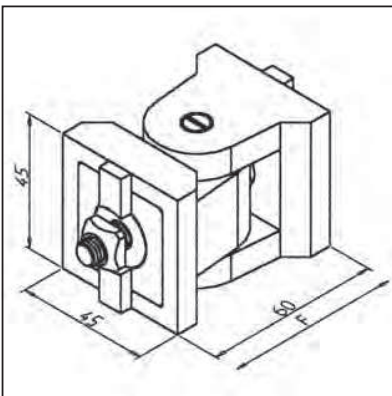
- Connection of profiles at any angle
- Braces
- Reinforcement of frame constructions
- Not to be used as a hinge

### ASSEMBLY

- 1: Joint half with pre-mounted screw to desired position fasten
- 2: Screw from scope of supply insert and joint half of 2 fix swivel (to it mobile side 90°)
- 3: Tighten lateral connecting screws

## ANGLE BRACKET

part no. 21.2020/0



### TECHN. DATA / ITEMS SUPPLIED

- Aluminium GD, powder coated, grey
- Fastening kit
- AL GD locking device against torsion
- Load max. 1500 N
- Weight 0,240 kg

### APPLICATIONS

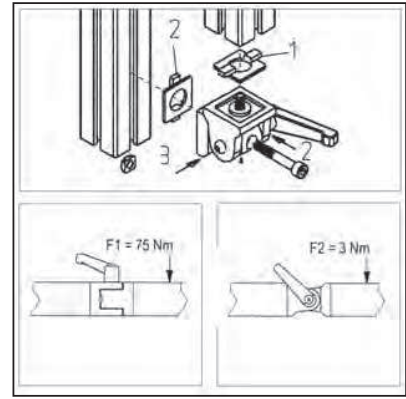
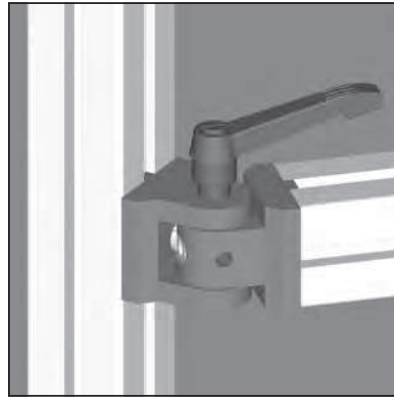
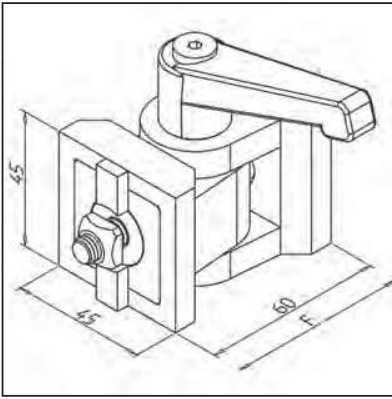
- Heavy swivel doors, bearing assembly of movable add-on pieces
- Not lockable
- For heavy loads use multiple hinges

### ASSEMBLY

- 1: Joint half with pre-mounted screw to desired position fasten
- 2: Screw from scope of supply insert and joint half of 2 fix (to it, do not solve camp pins swivel mobile side 90°!)
- 3: Tighten lateral connecting screws

## ANGLE BRACKET FIXABLE

part no. 21.2010/0



### TECHN. DATA / ITEMS SUPPLIED

- Aluminium GD, powder coated, grey
- Fastening kit
- AL GD locking device against torsion
- Load max. 1500 N
- Weight 0,280 kg

### APPLICATIONS

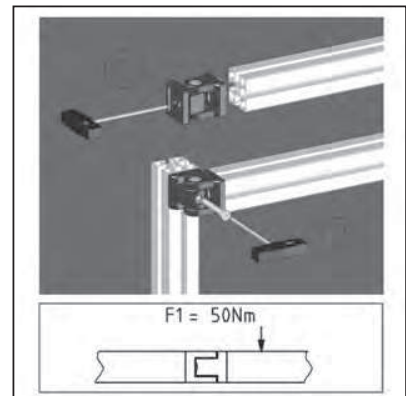
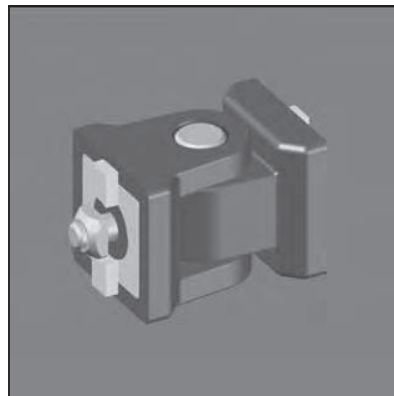
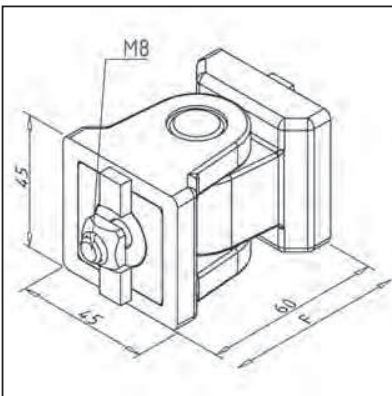
- Heavy swivel doors, bearing assembly of movable add-on pieces
- Clamping lever for positioning of add-on parts
- Fixing of pieces such as measuring devices that need to be adjusted quickly
- For heavy loads use multiple hinges

### ASSEMBLY

- 1: Joint half with pre-mounted screw to desired position fasten
- 2: Insert screw M8 x 50 and fix hinge half 2
- 3: Tighten clamping lever

## ANGLE BRACKET 45 / 15

part no. 21.2315/0



### TECHN. DATA / ITEMS SUPPLIED

- Aluminium GD, powder coated, grey
- Fastening kit
- AL GD locking device against torsion
- Load max. 2700 N
- Weight 0,312 kg

### APPLICATIONS

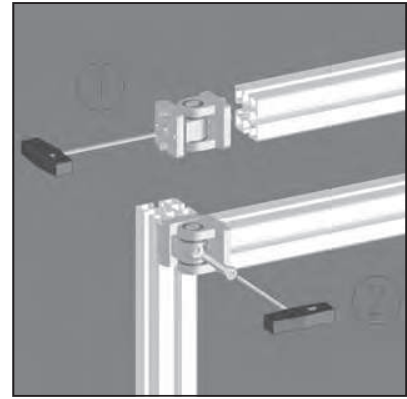
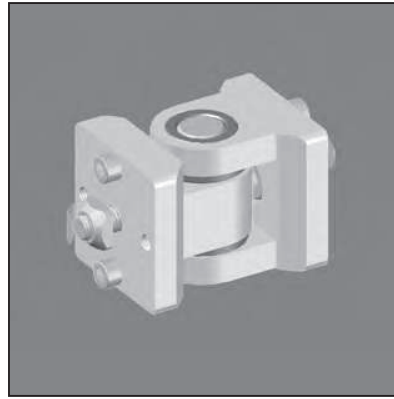
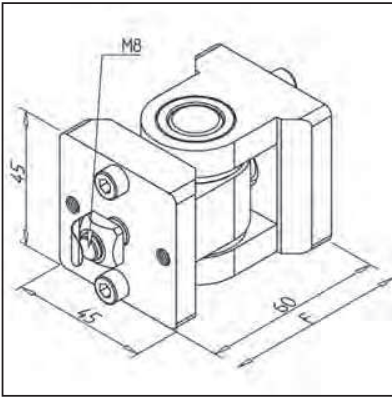
- Heavy swivel doors, bearing assembly of movable add-on pieces
- Clamping lever for positioning of add-on parts
- For heavy loads use multiple hinges

### ASSEMBLY

- 1: Mount the hinge half 1 on the desired position (with key SA/F through bore in hinge half 2)
- 2: Insert screw M8 x 50 and fix hinge half 2

## HEAVY DUTY HINGE

part no. 21.2034/0



### TECHN. DATA / ITEMS SUPPLIED

- Steel, zinc-plated
- Fastening kit
- Locking device against torsion
- Load 3500 N
- Weight 0,679 kg

### APPLICATIONS

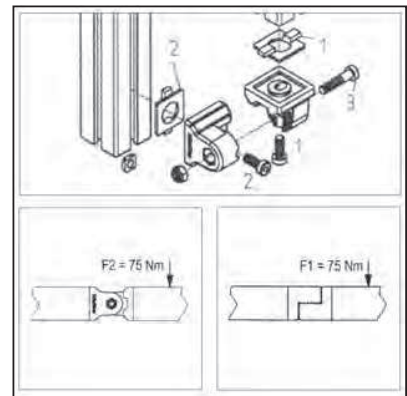
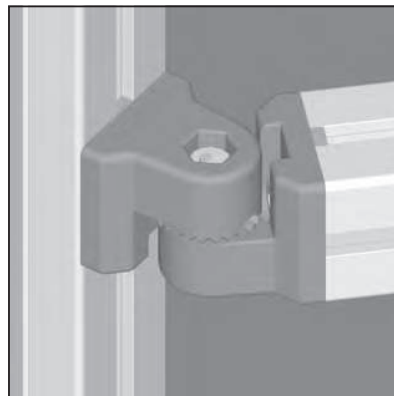
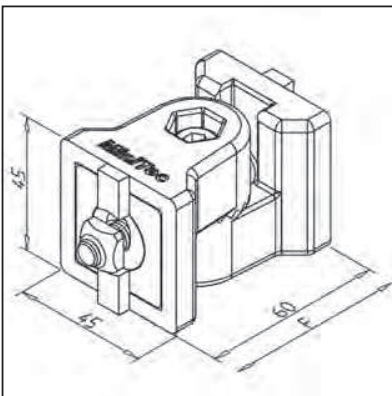
- Heavy swivel doors, bearing assembly of movable add-on pieces
- Not lockable
- For heavy loads use multiple hinges

### ASSEMBLY

- First part of hinge to be mounted on profile face
- Second part of hinge to be mounted on frame

## ANGLE BRACKET R

part no. 21.2041/0



### TECHN. DATA / ITEMS SUPPLIED

- Aluminium GD, powder coated, grey
- Fastening kit
- Locking device against rotation AL GD
- Load max. 5000 N
- Weight 0,263 kg

### APPLICATIONS

- Setting angle 180° in steps of 15°
- Adjustable fixing of add-on parts such as grip-boxes, beams or monitors
- Safe adjustment through tooth system

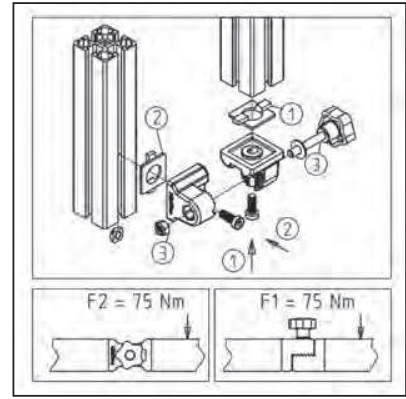
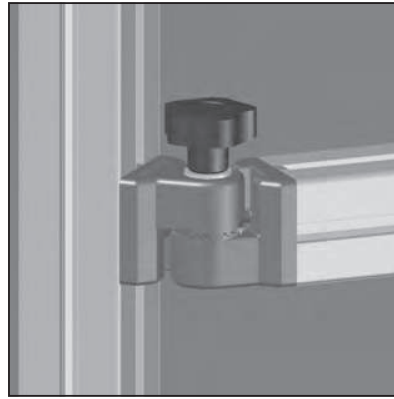
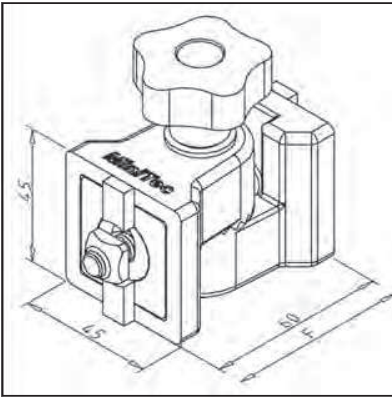
### ASSEMBLY

- 1: Place locking device and screw first half of the bracket
- 2: Fix second half
- 3: Connect the 2 halves in desired angle and tighten



## ANGLE BRACKET R FIXABLE

part no. 21.2230/0



### TECHN. DATA / ITEMS SUPPLIED

- Aluminium GD, powder coated, grey
- Fastening kit
- Locking device against torsion AL GD
- Load max. 5000 N
- Weight 0,279 kg

### APPLICATIONS

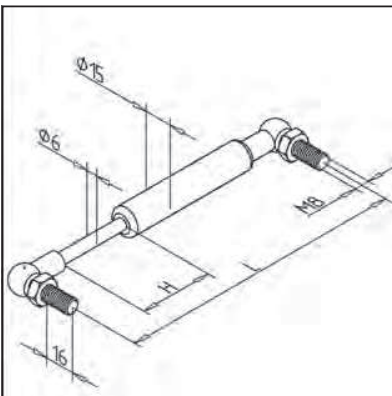
- Setting angle 180° in steps of 15°
- Adjustable fixing of add-on parts such as grip-boxes, beams or monitors
- Safe adjustment through tooth system

### ASSEMBLY

- 1: Place locking device and screw first half of the bracket
- 2: Fix second half
- 3: Connect the 2 halves in desired angle and tighten

## GAS SPRING 6 / 15

part no. 24.1126/0



H (mm)	L (mm)
20	115,5
40	155,5
60	194,5
80	235
100	273
120	316
150	375,5

### TECHN. DATA / ITEMS SUPPLIED

- Stroke (H) alternatively 20 / 40 / 60 / 80 / 100 / 120 / 150 mm
- Power (F) between 50 and 400 N (increments 50 N)
- Please indicate desired length of stroke and force

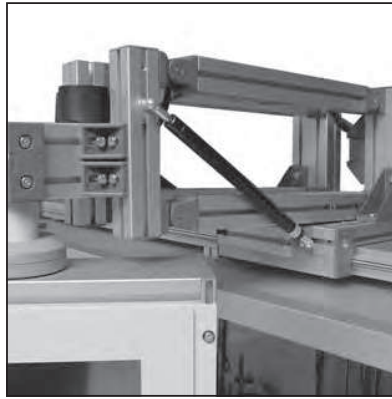
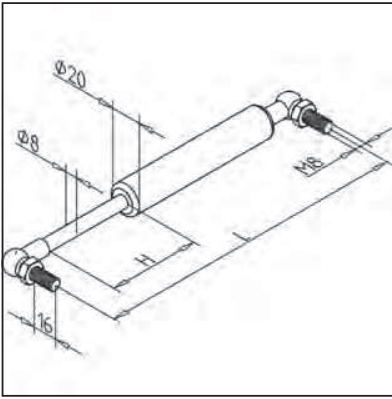
### APPLICATIONS

- Lift assist for hinged elements
- Suitable for lift and swivel movements

### ASSEMBLY

## GAS SPRING 8 / 20

part no. 24.1127/0



H (mm)	L (mm)
57	206
80	244
100	286
120	326
140	366
160	405
180	446
200	485,5
220	527
250	585,5

### TECHN. DATA / ITEMS SUPPLIED

- Stroke (H) alternatively 57 / 80 / 100 / 120 / 140 / 160 / 180 / 200 / 220 / 250 mm
- Power (F) between 80 and 750 N (increments 50 N)
- Please indicate desired length of stroke and force

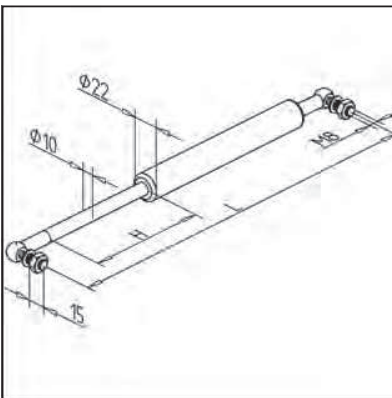
### APPLICATIONS

- Lift assist for hinged elements
- Suitable for lift and swivel movements

### ASSEMBLY

## GAS SPRING 10/22

part no. 24.1128/0



H (mm)	L (mm)
100	286
150	386
200	486
250	586
300	686
350	786
400	886

### TECHN. DATA / ITEMS SUPPLIED

- Stroke (H) alternatively 100 / 150 / 200 / 250 / 300 / 350 / 400 mm
- Power (F) between 100 and 1200 N (increments 50 N)
- Please indicate desired length of stroke and force

### APPLICATIONS

- Lift assist for hinged elements
- Suitable for lift and swivel movements

### ASSEMBLY

