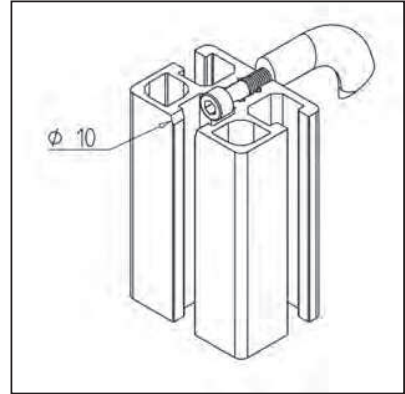
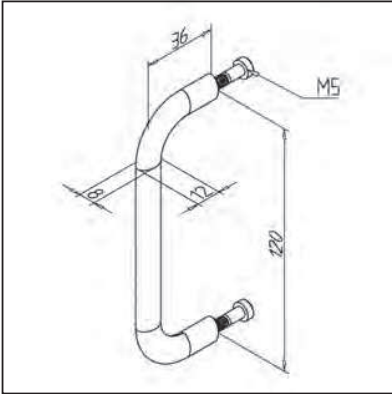


HANDLE AL

part no. 21.1138/0



TECHN. DATA / ITEMS SUPPLIED

- Aluminium, natural anodized
- Fastening kit
- Weight 0,050 kg

APPLICATIONS

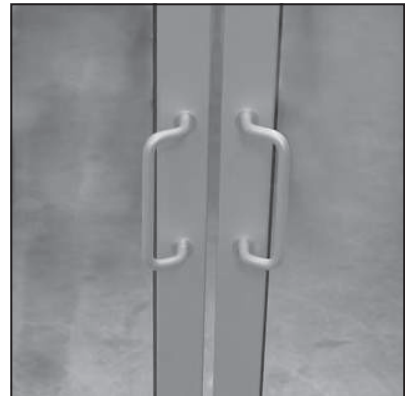
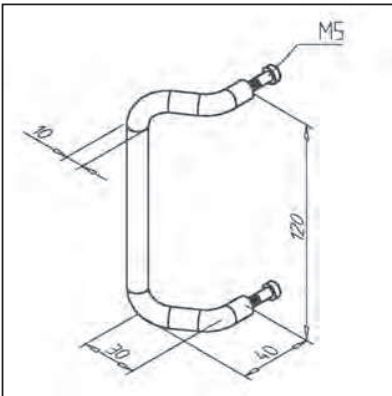
- Show cases
- Cabinets
- Light doors

ASSEMBLY

- Use fastening kit
- With step drilling \varnothing 10 mm x 5,5 mm respectively through hole \varnothing 5,5 mm

HANDLE AL ANGLED

part no. 21.1348/0



TECHN. DATA / ITEMS SUPPLIED

- Aluminium natural, anodized
- Fastening kit
- Weight 0,050 kg

APPLICATIONS

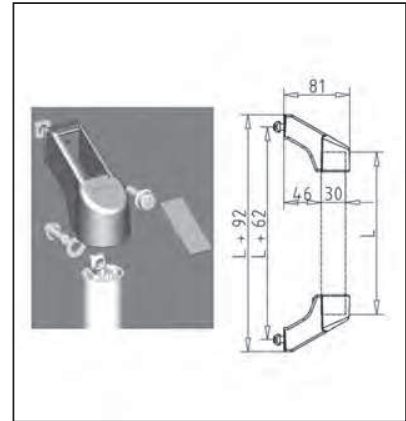
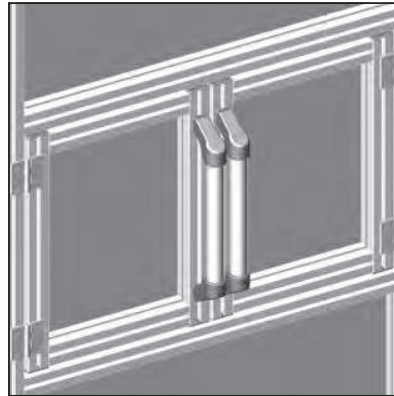
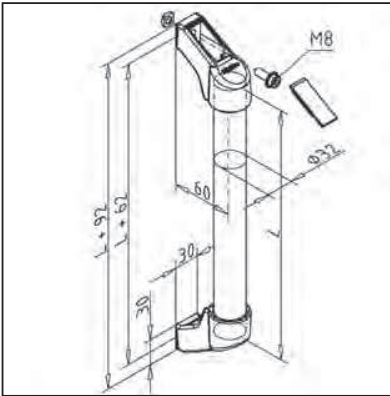
- Show cases
- Cabinets
- Light doors

ASSEMBLY

- Use fastening kit
- 2 step drills \varnothing 10 mm x 5,5 mm or through-bores \varnothing 5,5 mm in 120 mm distance

HANDLE GP

part no. 21.2317/0



TECHN. DATA / ITEMS SUPPLIED

- Handle profile aluminium, anodized E6/ EV1
- Bracket ABS, grey
- Fastening kit steel, zinc-plated
- Weight 0,247 kg
- Length 300 mm

- Other lengths on request

- Please measure L specify

- Construction set without profile part no. 21.2317/1

APPLICATIONS

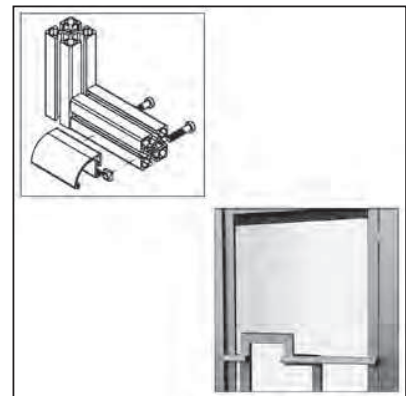
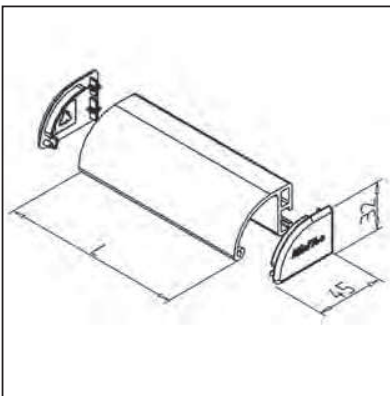
- Doors and lids
- Creeper
- Railing

ASSEMBLY

- Attach bracket to handle profile
- Attach handle to profile grooves using mounting material from fastening kit

CLOSED PROTECTIVE HANDLE

part no. 21.1048/0



TECHN. DATA / ITEMS SUPPLIED

- Aluminium anodized
- End caps
- Without fastening kit
- Weight 0,113 kg
- Length 120 mm

- Other lengths on request

- Please measure L specify

APPLICATIONS

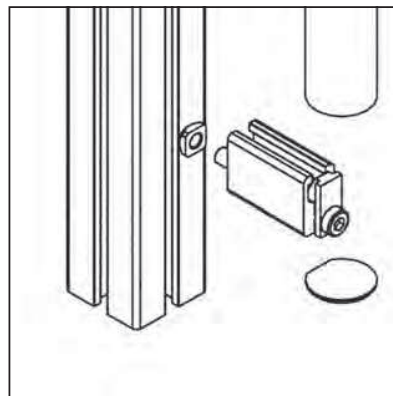
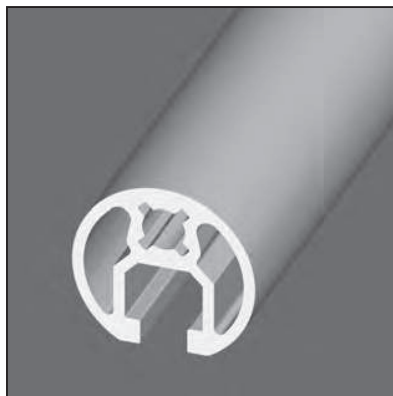
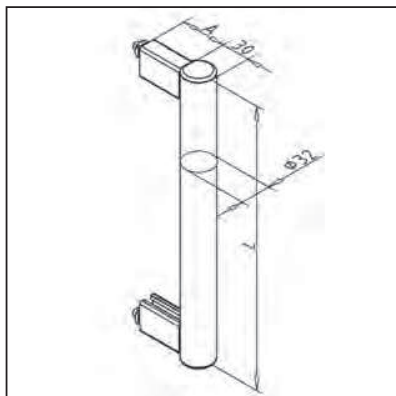
- Doors
- Lids
- Guards
- Furniture

ASSEMBLY

- On profile groove with 2 hex socket cap screws M6 x 16 and square nut M6
- Directly on panel element with hex socket cap screw M6, length according to material thickness
- Assembly can also be carried out from the rear side; for this purpose insert square nut M6

PROFILE HANDLE 32

part no. 21.0962/0



TECHN. DATA / ITEMS SUPPLIED

- Assembly kit made from MiniTec aluminium profiles
- Fastening kit
- Weight 0,510 kg
- Length (L) 300 mm
- Standard distance (A) 48 mm
- **Other lengths on request**
- **Please specify dimension L and A level**

APPLICATIONS

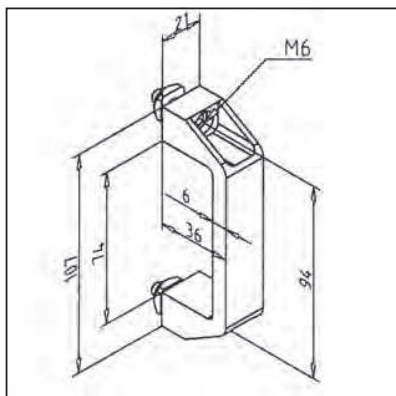
- Handle for very large doors, lids, trolleys, removable panel elements

ASSEMBLY

- Enter square nut in existing construction
- Pre-assemble the spacers and profile connector with longer screws
- Insert the handle profile and tighten the profile connector to the spacers
- Clip on end caps

HANDLE 90

part no. 21.1099/1



TECHN. DATA / ITEMS SUPPLIED

- PA 6.6, grey
- On request also deliverable in black **part no. 21.1099/0**
- Fastening kit
- Weight 0,025 kg

APPLICATIONS

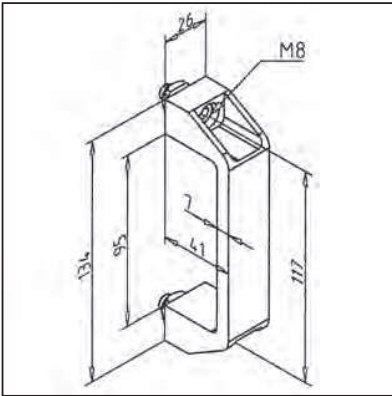
- Doors
- Lids
- Guards

ASSEMBLY

- Use fastening kit
- Directly on panel element with hex socket cap screw M6, length according to material thickness
- Assembly can also be carried out from the rear side

HANDLE 120

part no. 21.1092/1



TECHN. DATA / ITEMS SUPPLIED

- PA 6.6, grey
- On request also deliverable in black
part no. 21.1092/0
- Fastening kit
- Weight 0,074 kg
- On request ESD capability available in black
part no. 32.1007/0

APPLICATIONS

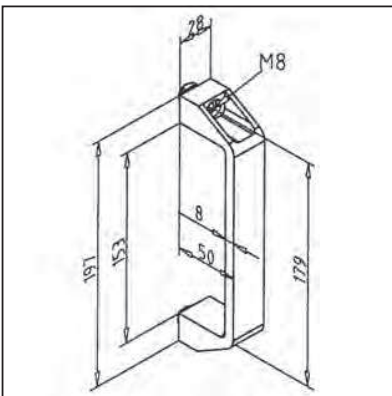
- Doors
- Lids
- Guards

ASSEMBLY

- Use fastening kit
- Directly on panel element with hex socket cap screw M8, length according to material thickness
- Assembly can also be carried out from the rear side

HANDLE 180

part no. 21.1094/1



TECHN. DATA / ITEMS SUPPLIED

- PA 6.6, grey
- On request also deliverable in black
part no. 21.1094/0
- Fastening kit
- Weight 0,099 kg

APPLICATIONS

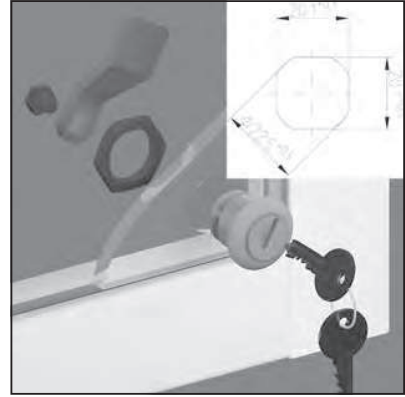
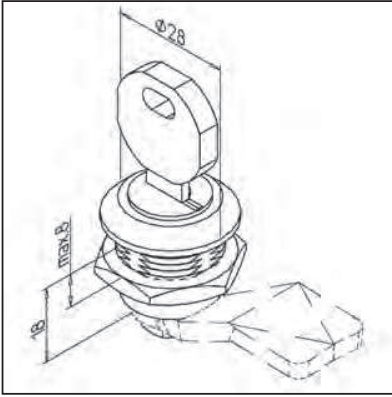
- Doors
- Lids
- Guards

ASSEMBLY

- Use fastening kit
- Directly on panel element with hex socket cap screw M8, length according to material thickness
- Assembly can also be carried out from the rear side

CYLINDER LOCK

part no. 21.1752/0



TECHN. DATA / ITEMS SUPPLIED

- Brass, chrome plated
- Without lock
- 2 keys
- Weight 0,100 kg

APPLICATIONS

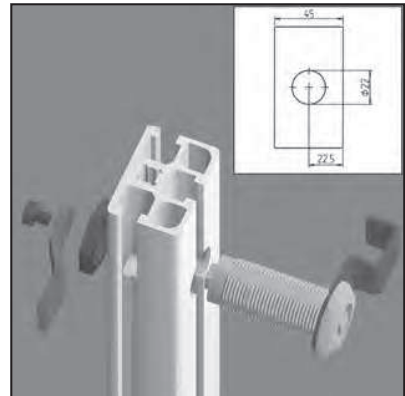
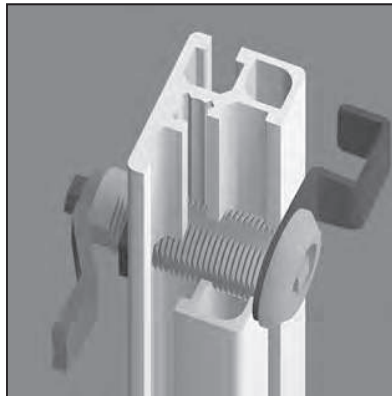
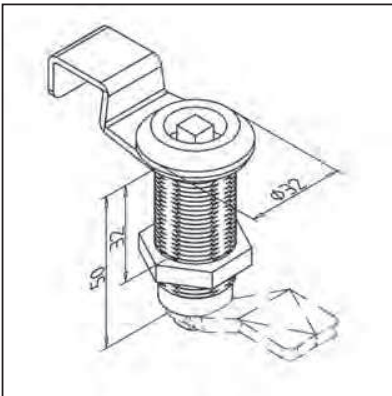
- Light doors from panel elements up to 8 mm thickness

ASSEMBLY

- Bore Ø 22 mm in panel element
- Position: 22 mm from edge in both directions
- Selection of locks see page 132

BOLT LOCK 32 FOR FOUR-FACED KEY

part no. 21.1087/6



TECHN. DATA / ITEMS SUPPLIED

- Housing GD Zn, black
- With four-faced key
- Opener, black
- Fixing nut, steel, zinc plated
- Without lock
- Weight 0,179 kg

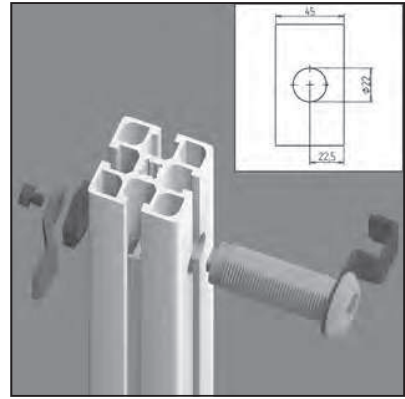
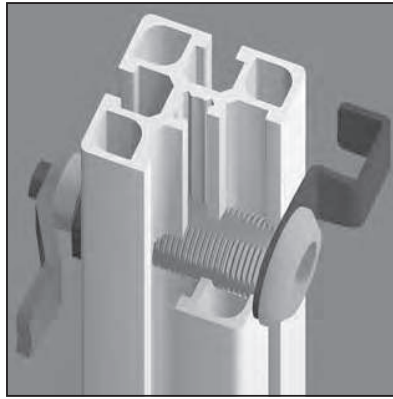
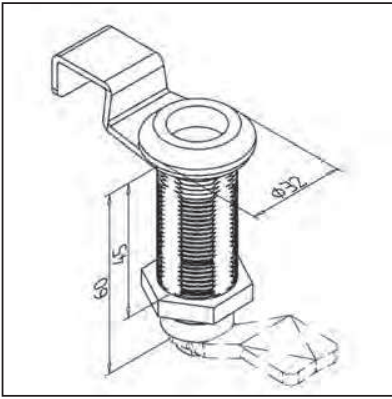
APPLICATIONS

- For profiles 32
- Locking of doors and lids in guard units

ASSEMBLY

- Bore Ø 22 mm in the middle of the profile
- Tighten bolt lock from the rear with fixing nut
- Selection of locks see page 132

BOLT LOCK 45 SOCKERT HEX HEAD WRENCH 10 A/F part no. 21.1087/9



TECHN. DATA / ITEMS SUPPLIED

- Housing GD Zn, black
- For socket hex head wrench 10 A/F
- Opener, black
- Fixing nut, steel, zinc plated
- Without lock
- Weight 0,111 kg

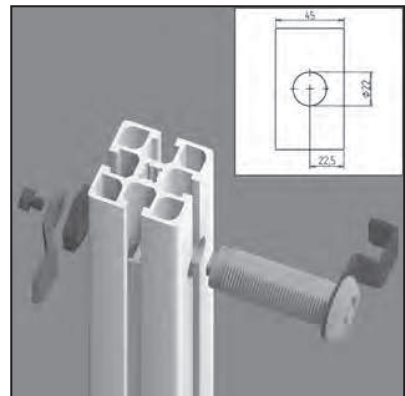
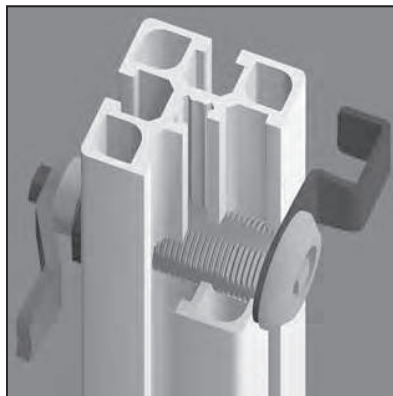
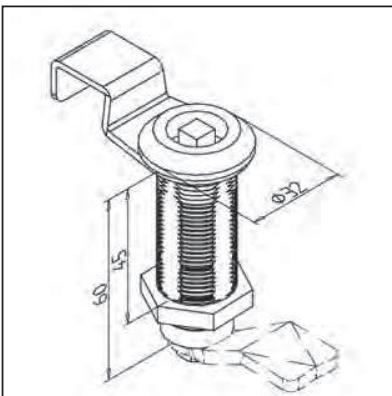
APPLICATIONS

- For profiles 45
- Locking of doors and lids in guard units

ASSEMBLY

- Bore Ø 22 mm in the middle of the profile
- Tighten bolt lock from the rear with fixing nut
- Selection of locks see page 132

BOLT LOCK 45 FOR FOUR-FACED KEY part no. 21.1087/7



TECHN. DATA / ITEMS SUPPLIED

- Housing GD Zn, black
- With four-faced key
- Opener, black
- Fixing nut, steel, zinc plated
- Without lock
- Weight 0,197 kg

APPLICATIONS

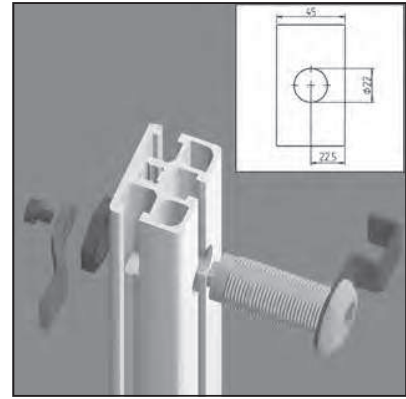
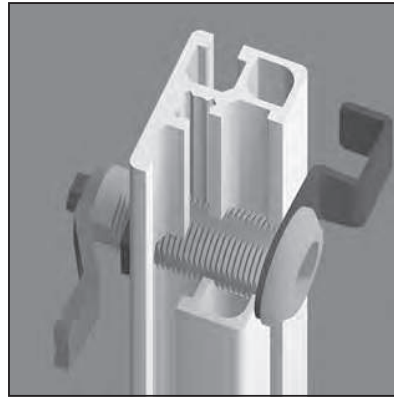
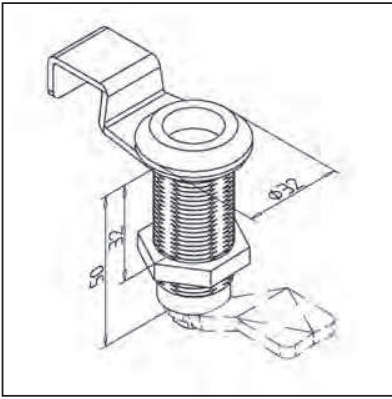
- For profiles 45
- Locking of doors and lids in guard units

ASSEMBLY

- Bore Ø 22 mm in the middle of the profile
- Tighten bolt lock from the rear with fixing nut
- Selection of locks see page 132

BOLT LOCK 32 SOCKET HEX HEAD WRENCH A/F 10

part no. 21.1087/8



TECHN. DATA / ITEMS SUPPLIED

- Housing GD Zn, black
- For socket hex head wrench A/F 10
- Opener, black
- Fixing nut, steel, zinc plated
- Without lock
- Weight 0,102 kg

APPLICATIONS

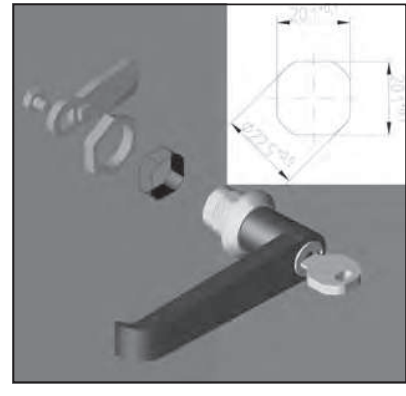
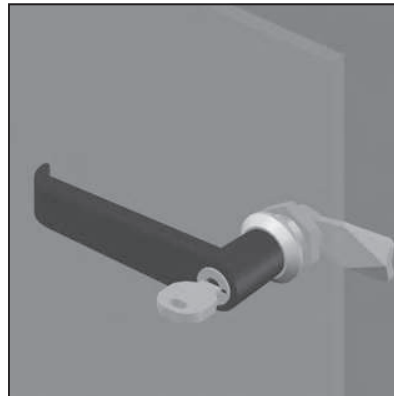
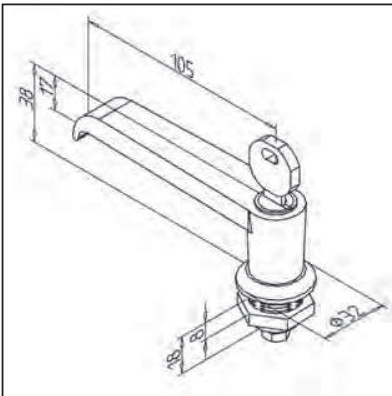
- For profiles 32
- Locking of doors and lids in guard units

ASSEMBLY

- Bore \varnothing 22 mm in the middle of the profile
- Tighten bolt lock from the rear with fixing nut
- Selection of locks see page 132

HANDLE 8 WITH PROFILE CYLINDER LOCK GREY

part no. 21.2305/0



TECHN. DATA / ITEMS SUPPLIED

- Housing PA/GD Zn, grey
- Fixing nut, steel, zinc-plated
- Without lock
- Weight 0,145 kg

APPLICATIONS

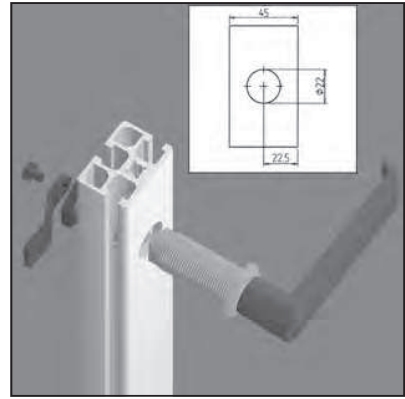
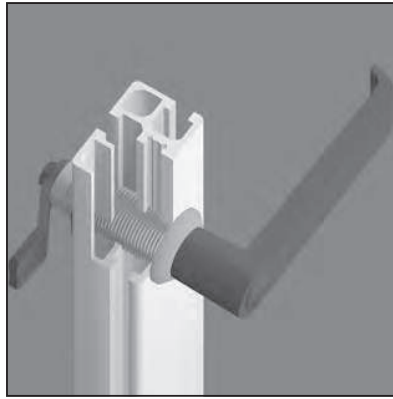
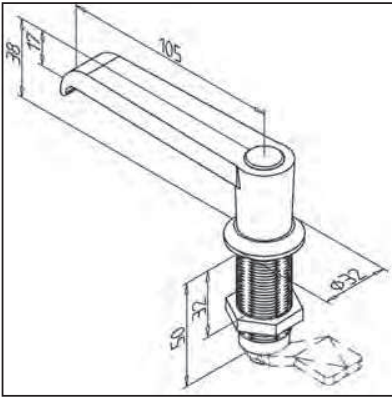
- Locking of doors and lids in guard units
- For panel elements up to 8 mm thickness

ASSEMBLY

- Drill borehole according to drawing
- Tighten handle lock from the rear with fixing nut

HANDLE 32 WITHOUT PROFILE CYLINDER LOCK

part no. 21.1087/4



TECHN. DATA / ITEMS SUPPLIED

- Housing PA/GD Zn, grey
- On request also deliverable in black **part no. 21.1087/2**
- Fixing nut, steel, zinc plated
- Without lock
- Weight 0,172 kg

APPLICATIONS

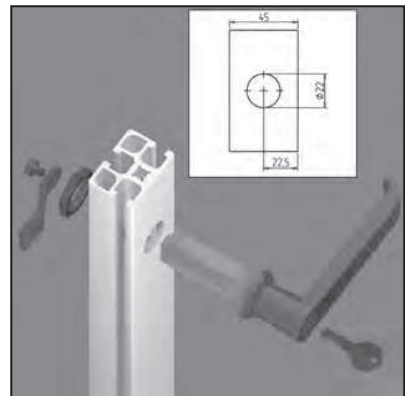
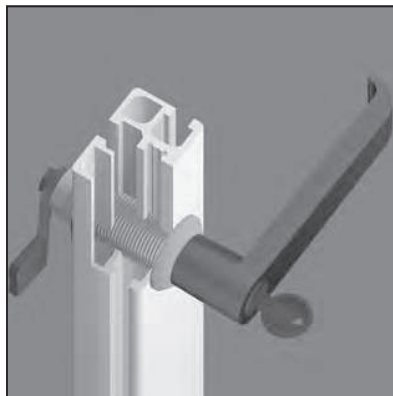
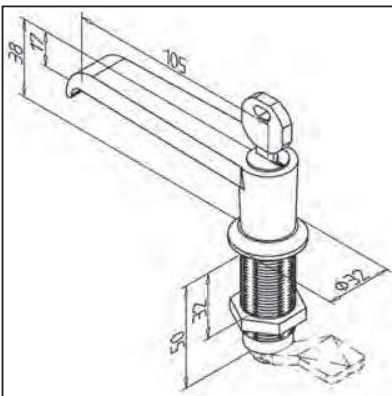
- For profiles 32
- Locking of doors and lids in guard units

ASSEMBLY

- Bore Ø 22 mm in the middle of the profile
- Tighten bolt lock from the rear with fixing nut
- Selection of locks see page 132

HANDLE 32 WITH PROFILE CYLINDER LOCK

part no. 21.1091/4



TECHN. DATA / ITEMS SUPPLIED

- Housing PA/GD Zn, grey
- On request also deliverable in black **part no. 21.1091/2**
- Fixing nut, steel, zinc plated
- Without lock
- Weight 0,211 kg

APPLICATIONS

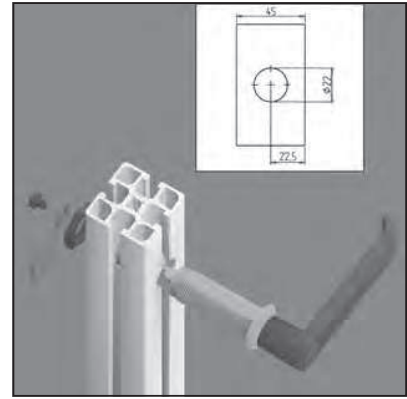
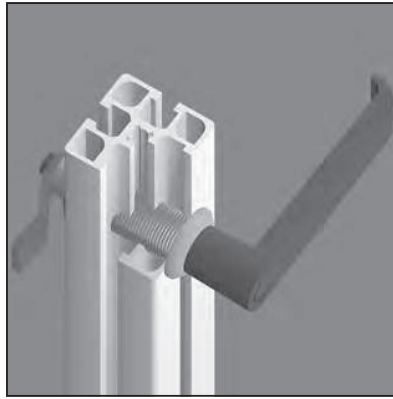
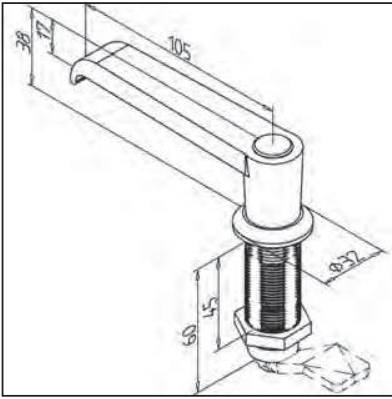
- For profiles 32
- Locking of doors and lids in guard units

ASSEMBLY

- Bore Ø 22 mm in the middle of the profile
- Tighten handle lock from the rear with fixing nut
- Selection of locks see page 132

HANDLE 45 WITHOUT PROFILE CYLINDER LOCK

part no. 21.1087/3



TECHN. DATA / ITEMS SUPPLIED

- Housing PA/GD Zn, grey
- On request also deliverable in black **part no. 21.1087/1**
- Fixing nut, steel, zinc plated
- Without lock
- Weight 0,195 kg

APPLICATIONS

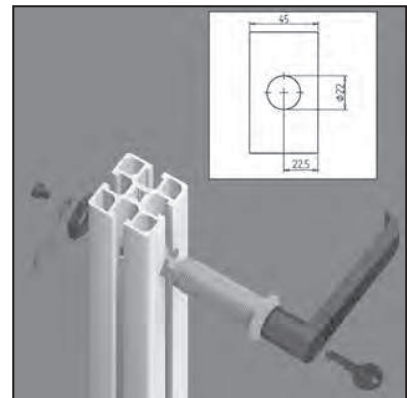
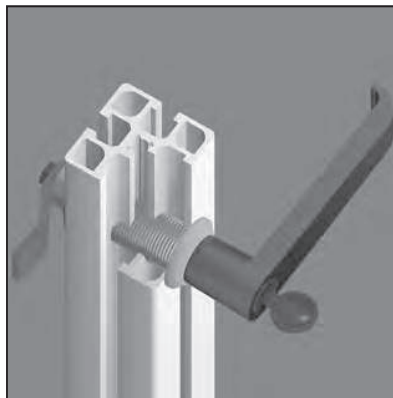
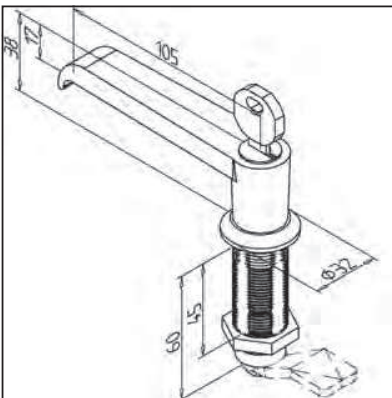
- For profiles 45
- Locking of doors and lids in guard units

ASSEMBLY

- Bore \varnothing 22 mm in the middle of the profile
- Tighten handle lock from the rear with fixing nut
- Selection of locks see page 132

HANDLE 45 WITH PROFILE CYLINDER LOCK

part no. 21.1091/3



TECHN. DATA / ITEMS SUPPLIED

- Housing PA / GD Zn, grey
- On request also deliverable in black **part no. 21.1091/1**
- Fixing nut, steel, zinc plated
- Without lock
- Weight 0,230 kg

APPLICATIONS

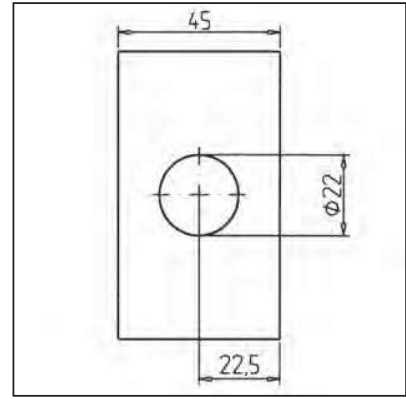
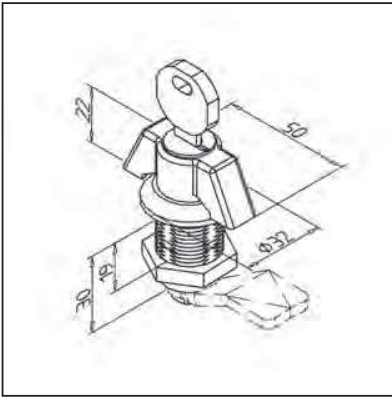
- For profiles 45
- Locking of doors and lids in guard units

ASSEMBLY

- Bore \varnothing 22 mm in the middle of the profile
- Tighten handle lock from the rear with fixing nut
- Selection of locks see page 132

T-HANDLE 19

part no. 21.1015/2



TECHN. DATA / ITEMS SUPPLIED

- GD Zn, chrome plated
- With profile cylinder lock
- Fixing nut, steel, zinc plated
- Without lock
- Weight 0,168 kg

APPLICATIONS

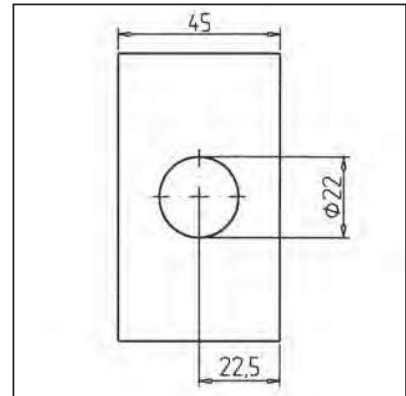
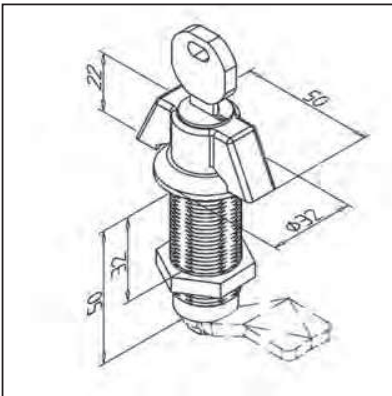
- For profiles 19
- Locking of doors and lids in guard units

ASSEMBLY

- Bore \varnothing 22 mm in the middle of the profile
- Tighten T-handle lock from the rear with fixing nut
- Selection of locks see page 132

T-HANDLE 32

part no. 21.1015/0



TECHN. DATA / ITEMS SUPPLIED

- GD Zn, chrome plated
- With profile cylinder lock
- Fixing nut, steel, zinc plated
- Without lock
- Weight 0,188 kg

APPLICATIONS

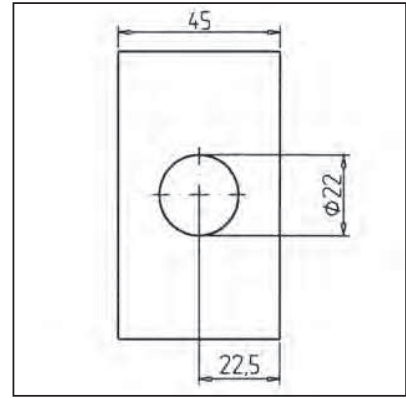
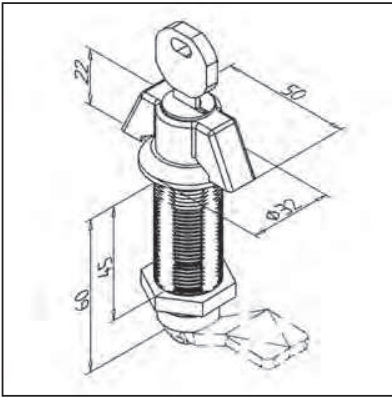
- For profiles 32
- Locking of doors and lids in guard units

ASSEMBLY

- Bore \varnothing 22 mm in the middle of the profile
- Tighten T-handle lock from the rear with fixing nut
- Selection of locks see page 132

T-HANDLE 45

part no. 21.1015/1



TECHN. DATA / ITEMS SUPPLIED

- GD Zn, chrome plated
- With profile cylinder lock
- Fixing nut, steel, zinc plated
- Without lock
- Weight 0,198 kg

APPLICATIONS

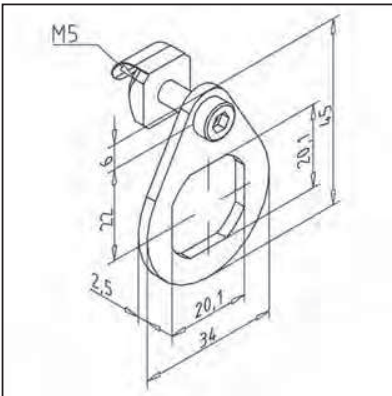
- For profiles 45
- Locking of doors and lids in guard units

ASSEMBLY

- Bore \varnothing 22 mm in the middle of the profile
- Tighten T-handle lock from the rear with fixing nut
- Selection of locks see page 132

TWIST-STOP F

part no. 21.0941/0



TECHN. DATA / ITEMS SUPPLIED

- 1.4305 / steel zinc-plated
- Fastening kit
- Weight 0,0213 kg

APPLICATIONS

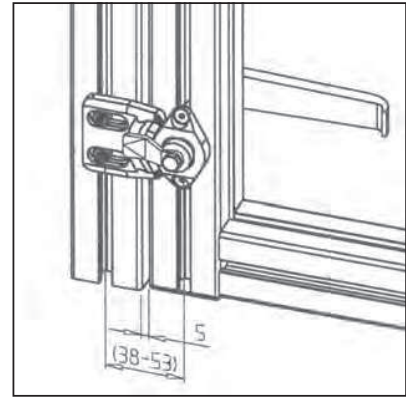
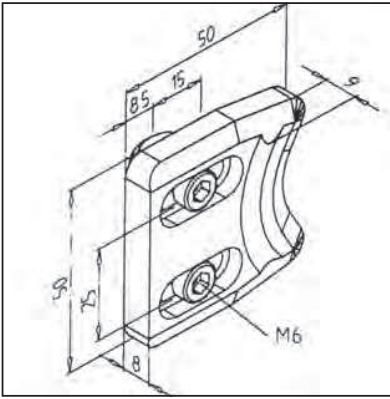
- Protection of bolt-locks, handles and T-handles against unwanted loosening or overturning
- In particular fitting in combination with Door stop S, **part no. 21.1767/0**

ASSEMBLY

- Mount handle or bolt lock as usual, fasten hexagon nut
- Fix Twist-Stop F using fastening kit
- Mount lock

DOOR STOP 5

part no. 21.1767/0



TECHN. DATA / ITEMS SUPPLIED

- GD Zn, black
- Fastening kit
- Weight 0,077 kg

APPLICATIONS

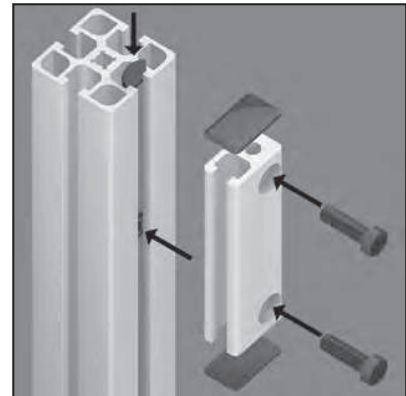
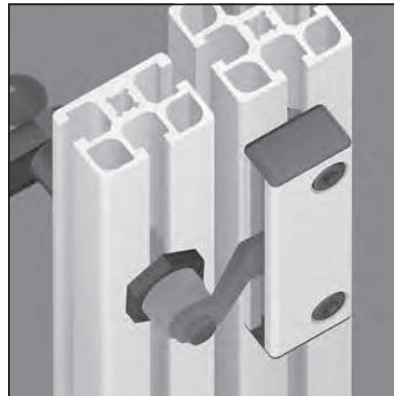
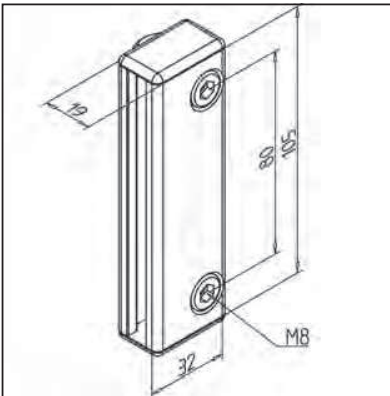
- Adjustable stop for swing doors
- Especially designed for use in combination with handles, bolt-locks or T-handles
- Also door catch

ASSEMBLY

- Screw with fastening kit on door frame
- See page 132

CATCH 19

part no. 21.1755/0



TECHN. DATA / ITEMS SUPPLIED

- Profile 19 x 32
- End caps
- Fastening kit
- Weight 0,040 kg

APPLICATIONS

- Locking of doors and lids in connection with handles or bolt locks

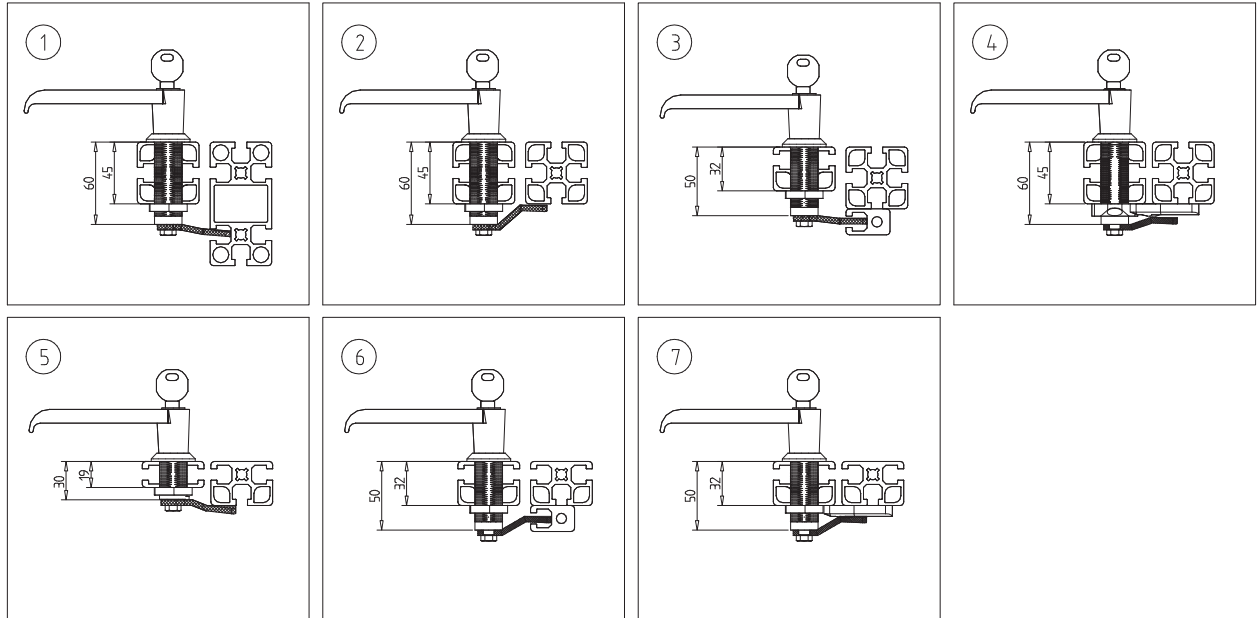
ASSEMBLY

- Use fastening kit
- Selection of locks see page 132

LOCKS

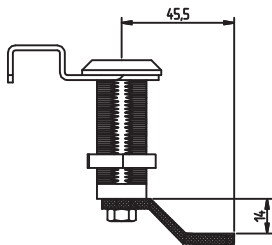
FITTING PRINCIPLES & SELECTION OF LOCKS

FITTING PRINCIPLES

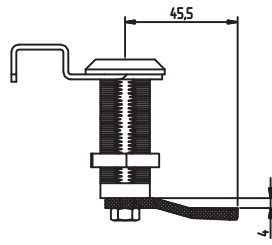


SELECTION OF LOCKS

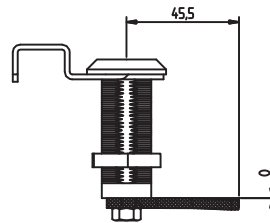
DOOR PROFILE	Door profile 45 x 45 mm	Door profile 32 X 45 mm	Door profile 19 X 45 mm	Surface element 4-8 mm
	Handle, T-Handle or Bolt lock 45	Handle, T-Handle or Bolt lock 32	Handle, T-Handle or Bolt lock 19	CYLINDER LOCK
	part no. of locks			
① 90 x 45	21.1093/1	21.1093/0	-	21.1093/2
② 45 x 45	21.1093/5	21.1093/3	21.1093/4 o. /0	21.1093/2
③ with Catch 19	21.1093/4	21.1093/2	-	-
④ with Door catch S	21.1093/3	21.1093/1	-	-
⑤ 32 x 45	-	-	21.1093/1	-
⑥ with Catch 19	-	21.1093/5	-	21.1093/0
⑦ with Door catch S	-	21.1093/4	21.1093/0	-



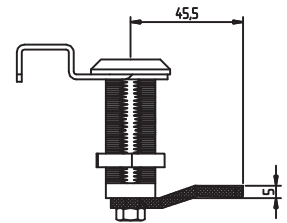
part no. 21.1093/0



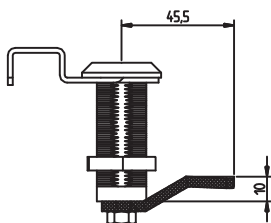
part no. 21.1093/1



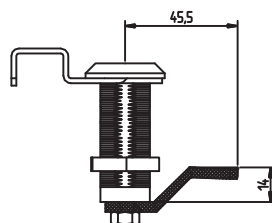
part no. 21.1093/2



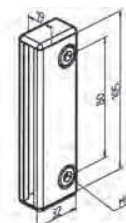
part no. 21.1093/3



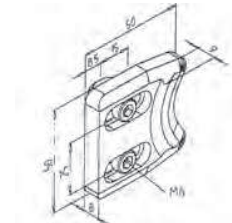
part no. 21.1093/4



part no. 21.1093/5



Catch 19
part no. 21.1755/0



Door catch S
part no. 21.1767/0

ROD LOCK

ONE OR TWO-SIDED LOCKING

Items supplied

- Bolt lock, steel, black with square key
- Guiding element, steel, galvanized
- Latch with rollers (l = 1100 mm), steel, galvanized
- Rod guide, plastic, black with injected nut M6

Optional

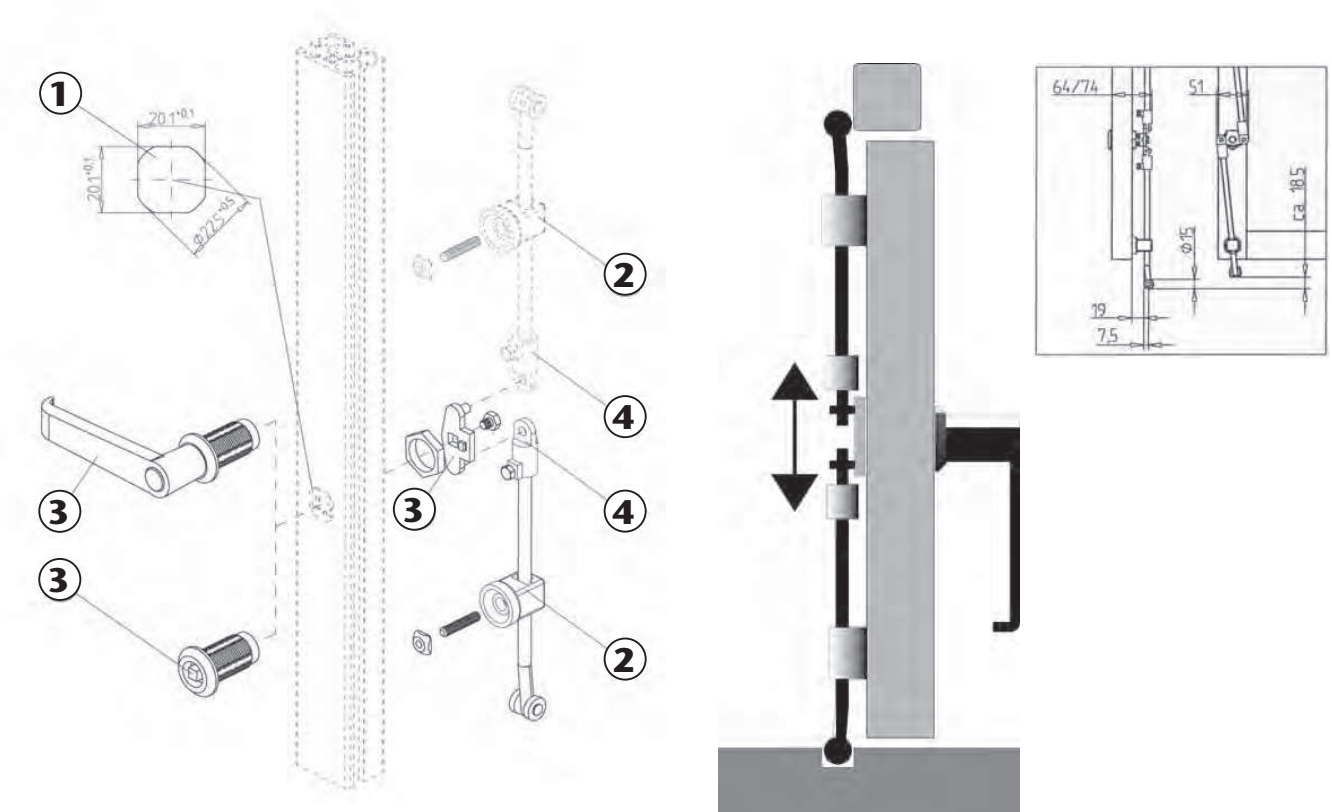
- Handle with or without lock

Applications

- For locking doors at upper or lower beam
- Use 2 rods for 2-sided locking
- Order bolt lock, handle without lock or handle with cylinder lock
- Especially suited for control boxes or double-sided doors

AVAILABLE VERSIONS

PROFILE	Bolt lock		Handle without lock		Handle with cylinder lock	
	1 ROD	2 RODS	1 ROD	2 RODS	1 ROD	2 RODS
32 x 45	21.1798/0	21.1798/2	21.1798/3	21.1798/4	21.1798/5	21.1798/6
45 x 45	21.1788/0	21.1788/2	21.1788/3	21.1788/4	21.1788/5	21.1788/6



Assembly

- ① Mill bore $\varnothing 22,5$ mm as shown in figure below
- ② Fix rod guide with set screw M6 x 30 at desired position. No drilling necessary. Screw square nut loose onto set screw. Insert the square nut into the profile groove and twist the plastic part until the guide is fixed
- ③ Attach bolt lock or handle
- ④ Insert rod into guiding element and connect with latch

ROD LOCK WITH FALLING LATCH

TWO-SIDED INTERLOCK WITH FALLING LATCH

Items supplied

- ① Rod lock insert
- ② handle
- ③ Falling latch (2 pcs.)
- ④ Adaptors for rods
- ⑤ Rods with lug (Lmax = 1200) (2 pcs.)

Application

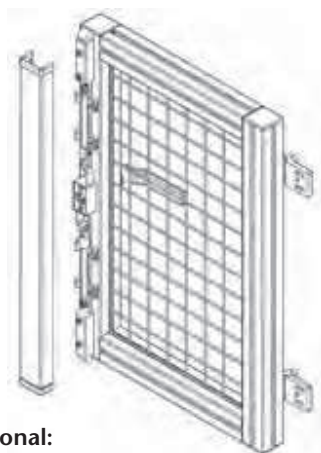
- For locking doors at upper and lower beam
- Especially suited for doors in frames
- Max. door height 2750 mm

Optional

- ⑥ Cable channel part no. 20.1071/0
- ⑦ Protecting cap for cable channel part no. 22.1117/1
- ⑧ Cable clip part no. 22.1210/0

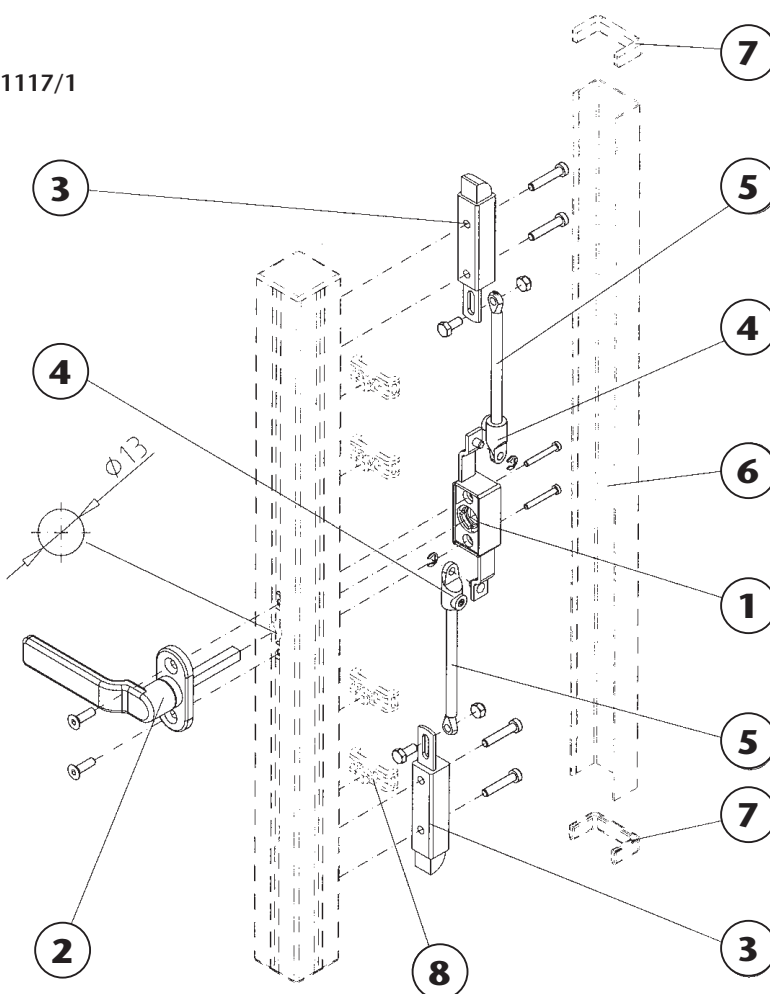
Assembly

- ① Bore \varnothing 13 mm in vertical door profile
- ② Screw lock and falling latch at door profile
- ③ Cut rods according to your doorsize.
Mount adaptors at rod-ends. Link rods with lock and falling latch
- ④ Insert handle and fix
- ⑤ Adjust falling latch



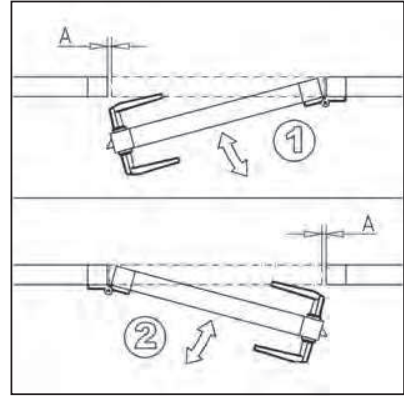
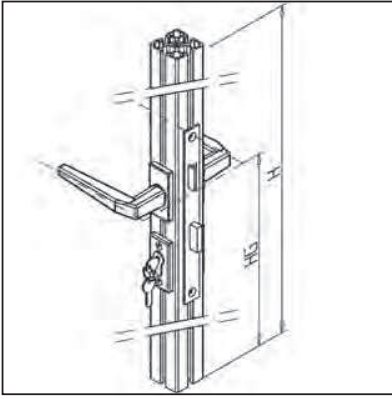
Optional:

Rod cover with cable channel



DOOR HANDLE

part no. 21.1748/0



TECHN. DATA / ITEMS SUPPLIED

- Door Lock steel, zinc-plated, fitted in profile 45x45
 - Fittings aluminum anodized
 - Profile cylinder with 3 keys mounted
 - Weight 0,850 kg
 - Weight + 1,950 kg/m
-
- **Standard version**
 - H = 2000mm
 - HG = 1000mm
 - **Other lengths and profiles on request**
 - **Please specify dimension H and HG level**
 - **Please specify a version 1 or 2**
 - Construction set without profile
 - part no. 21.1748/2**

APPLICATIONS

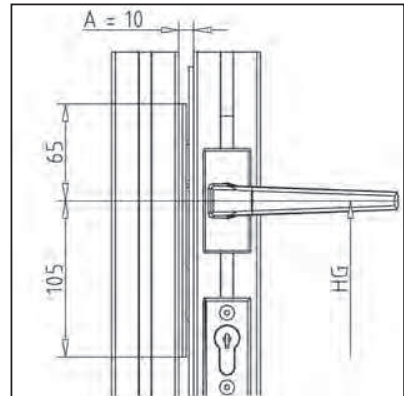
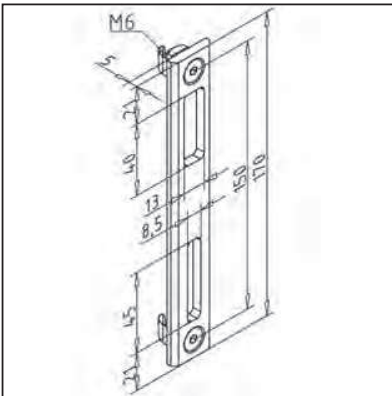
- Swing doors for guard units
- Other embodiments and profiles on request , for Example, G - sided profile with fixed knob but without lock mounting

ASSEMBLY

- Allow 5mm space between door and frame
- Using striking plate with 10 mm gap
- Closing wedge engages in opposite groove
- Position horizontal profile offside lock area or use counter sunk screw M8 x 25

STRIKING PLATE FOR DOOR LOCK

part no. 21.0966/0



TECHN. DATA / ITEMS SUPPLIED

- Profile 19 x 32
- Fastening kit
- Weight 0,061 kg

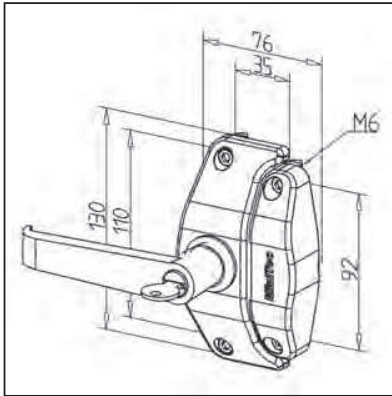
APPLICATIONS

- Locking of doors and lids in connection with handles or bolt locks
- No post processing required to profile groove of the door pillar

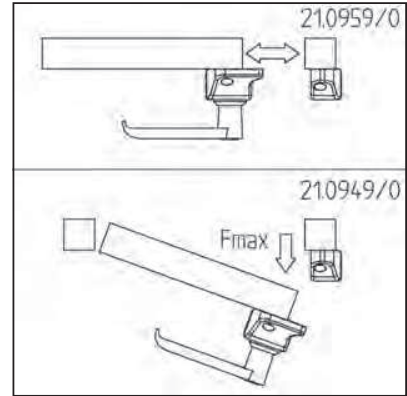
ASSEMBLY

- Use fastening kit
- Door gap at lock 10 mm

ROTARY LOCK 30



part no. 21.0949/0



TECHN. DATA / ITEMS SUPPLIED

- Aluminium GD, powder coated, grey
- Fastening kit
- Weight 210949/0 0,432 kg
- Weight 210959/0 0,441 kg
- Fmax. 1000 N

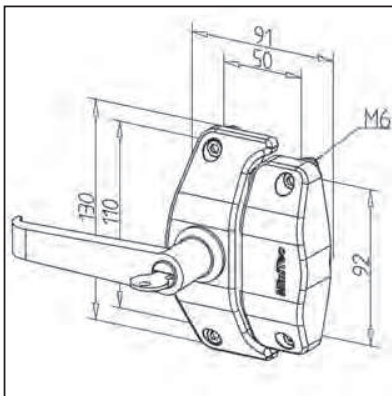
APPLICATIONS

- Rotary Lock 30 for swing doors:
part no. 21.0949/0
- Rotary Lock 30 for sliding doors:
part no. 21.0959/0
- For profiles series 30
- Locking of doors and lids
- No processing of profile necessary
- Position moveable

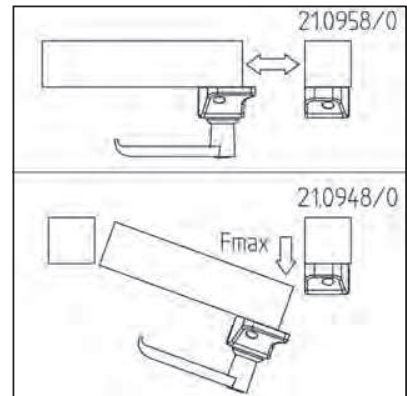
ASSEMBLY

- Use fastening kit
- Fastening on profile groove - without processing/boring of profiles

ROTARY LOCK 45



part no. 21.0948/0



TECHN. DATA / ITEMS SUPPLIED

- Aluminium GD, powder coated, grey
- Fastening kit
- Weight 210948/0 0,476 kg
- Weight 210958/0 0,493 kg
- Fmax. 2200 N

APPLICATIONS

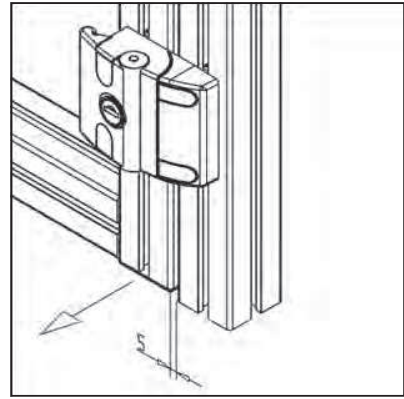
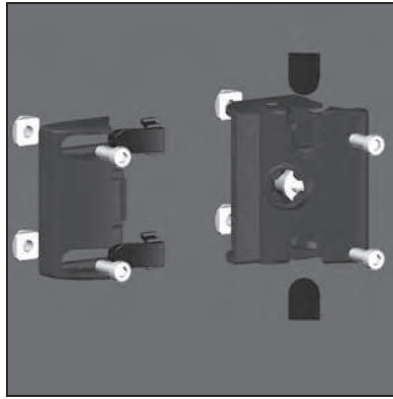
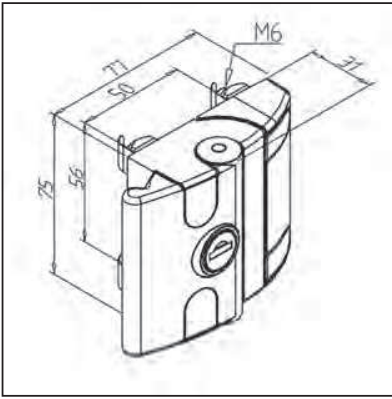
- Rotary lock 45 for swing doors:
part no. 21.0948/0
- Sliding door lock 45 for sliding doors:
part no. 21.0958/0
- Locking of doors and lids
- No processing of profile necessary
- Position moveable

ASSEMBLY

- Use fastening kit
- Fastening on profile groove - without processing/boring of profiles
- No extra door stop necessary

TRUNK LOCK COMPACT

part no. 21.2311/0



TECHN. DATA / ITEMS SUPPLIED

- GD-Zn, black
- Lock cylinder with two keys
- Fastening kit
- Weight 0,255 kg

APPLICATIONS

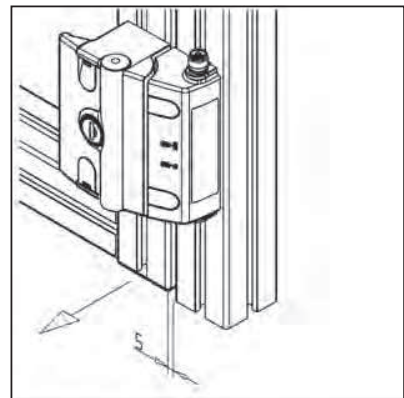
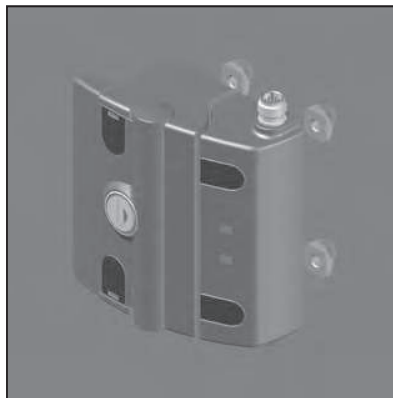
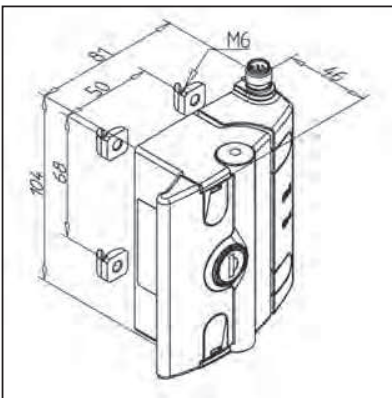
- Closing of doors and lids in guard units
- At the same door stop
- Also suitable for frameless doors
- Closed trunk can not be removed

ASSEMBLY

- Mount trunk lock on the door and jamb and mount screw cover
- To mount no profile be required

TRUNK LOCK WITH QUERY

part no. 21.2323/0



TECHN. DATA / ITEMS SUPPLIED

- GD-Zn, black
- Lock cylinder with two keys
- Fastening kit
- Reliability values according to EN ISO 13849-1 category 4 performance Level PL_e
- Operating voltage DC24V ±15%
- 2 safety outputs, p-type, short-circuit proof
- Connection type M12, 8-pin
- UL-approved
- Weight 0,448 kg

APPLICATIONS

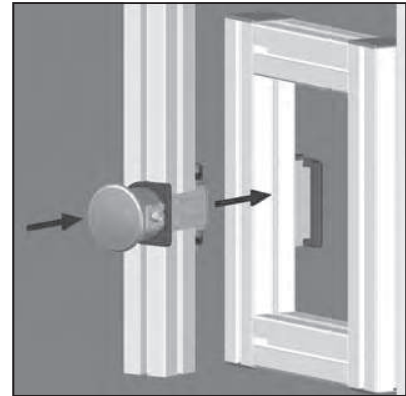
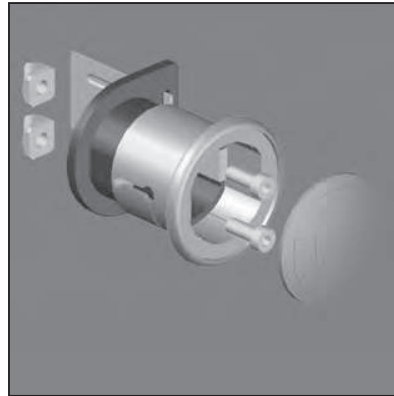
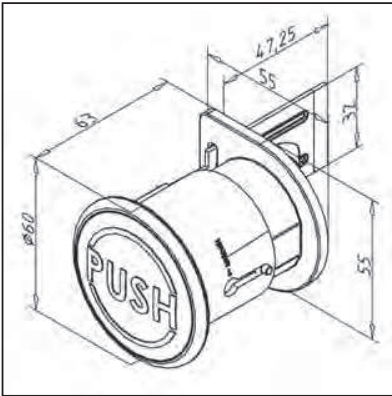
- Closing and securing doors and lids kat. 4 / PL_e thanks to integrated transponder coded technology
- At the same door stop
- Closed trunk lock can not be removed

ASSEMBLY

- Mount trunk lock on the door and jamb and mount screw cover
- Electrical connection may also optionally be mounted below
- To mount no profile be required
- Matching leads available on request

EMERGENCY RELEASE FOR TRUNK LOCK

part no. 21.2316/0



TECHN. DATA / ITEMS SUPPLIED

- Plastic / steel zinc plated
- Fastening kit
- Weight 0,123 kg

APPLICATIONS

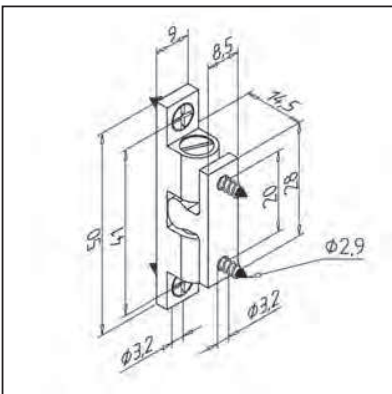
- Assembly in connection with our case lock compact **part no. 21.2311/0** or Trunk lock with query **part no. 21.2323/0**
- To open the door from the inside, on the outside lock attached
- Also functioned with locked trap catch
- When emergency release is snapped into place, closure of door is prevented

ASSEMBLY

- Also works with closed-off case closure

BALL LATCH 50

part no. 21.1763/0



TECHN. DATA / ITEMS SUPPLIED

- Brass
- Holding force adjustable 10 - 50 N
- Fastening kit
- Weight 0,030 kg

APPLICATIONS

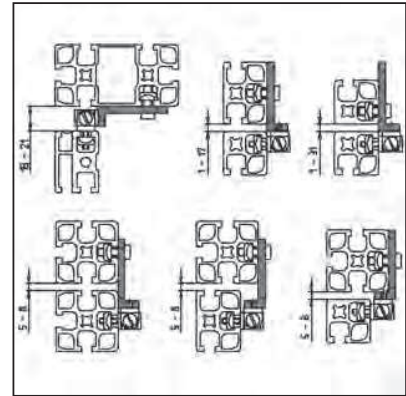
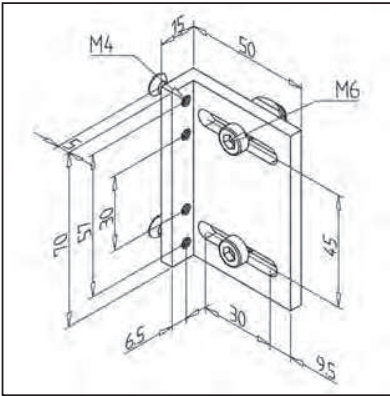
- Stop and catch for swing and sliding doors
- Ball latch 50 suitable for T-slots of reworked profiles. Allows gap-free closing of sliding doors
- Doors, lids, removable panel elements

ASSEMBLY

- Use fastening kit to fix the ball latch on any surface
- Use ball latch support 50 **part no. 21.1139/0** if necessary

BALL LATCH SUPPORT 70

part no. 21.1137/0



TECHN. DATA / ITEMS SUPPLIED

- Aluminium, natural, anodized
- Fastening kit
- Weight 0,050 kg

APPLICATIONS

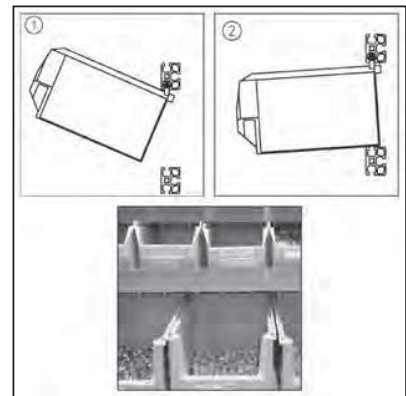
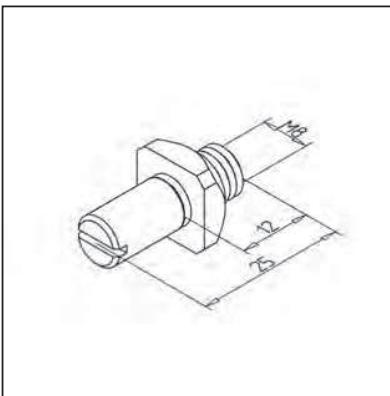
- Attachment of ball latch 70 in doors, lids, removable panel elements
- Door stop
- If using profile 32, ball latch support has to be shortened

ASSEMBLY

- Use fastening kit

SNAP BOLT 25

part no. 21.1758/0



TECHN. DATA / ITEMS SUPPLIED

- Steel, zinc plated
- With square nut, zinc plated
- Weight 0,010 kg
- Stainless version **part no. 21.1758/1**

APPLICATIONS

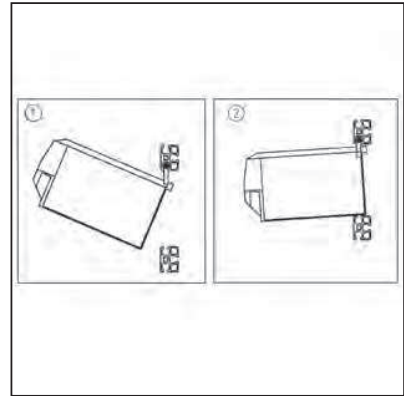
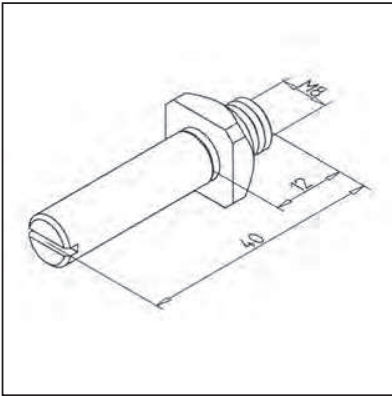
- Attachment of grab trays in work benches between 2 profiles
- Supports

ASSEMBLY

- Use fastening kit

SNAP BOLT 40

part no. 21.1760/0



TECHN. DATA / ITEMS SUPPLIED

- Steel, zinc plated
- With square nut, zinc plated
- Weight 0,020 kg

APPLICATIONS

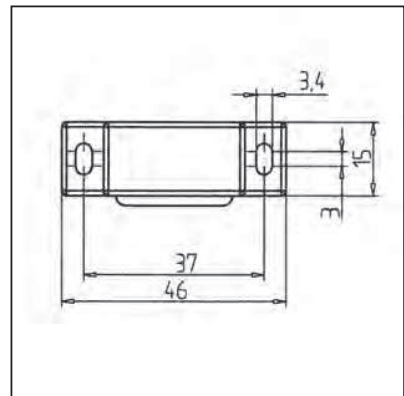
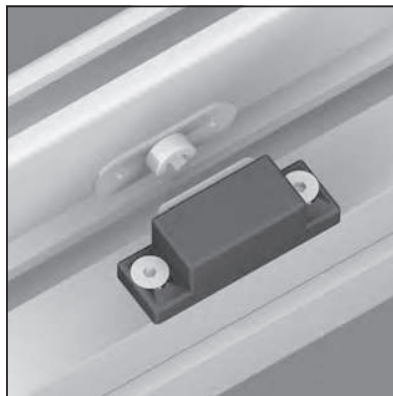
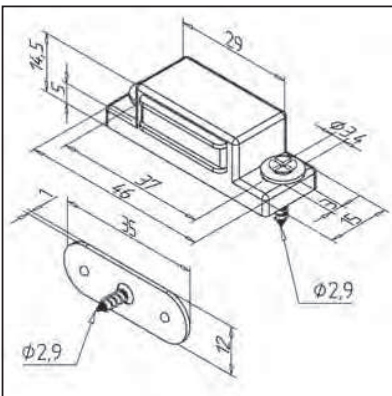
- Attachment of grab trays in work benches between 2 profiles
- Supports

ASSEMBLY

- Screw with square nut in profile groove

MAGNETIC CATCH

part no. 21.1753/0



TECHN. DATA / ITEMS SUPPLIED

- Housing PA 6, black
- Holding plate, steel, zinc plated
- Fastening kit
- Weight 0,021 kg
- Holding force 20 N

APPLICATIONS

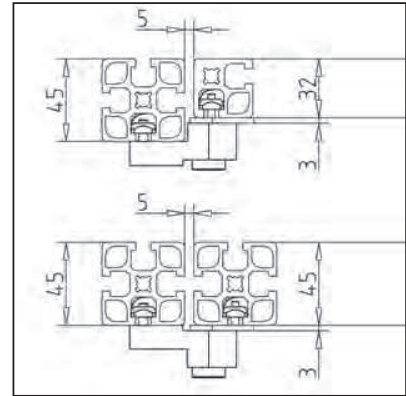
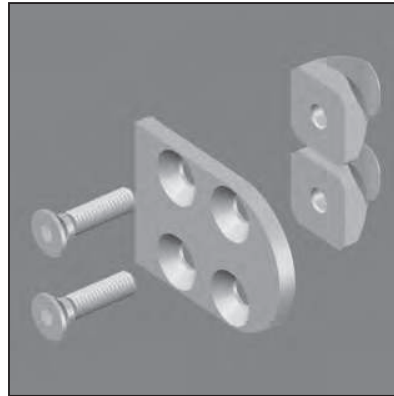
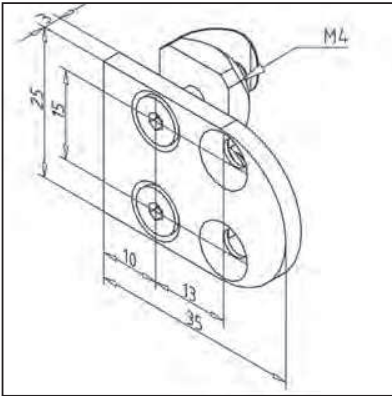
- Quick catch for swing doors
- Attachment of light panel elements

ASSEMBLY

- Mount with fastening kit on profile surface

MAGNET PLATE S

part no. 21.2308/0



TECHN. DATA / ITEMS SUPPLIED

- Steel, zinc-plated
- Fastening kit
- Weight 0,031 kg

APPLICATIONS

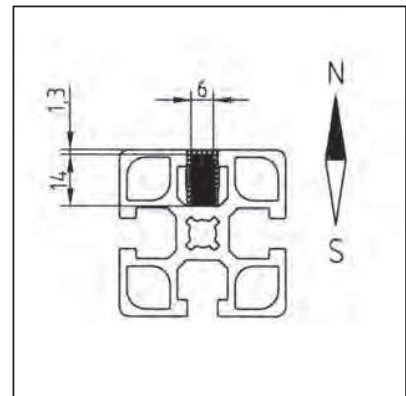
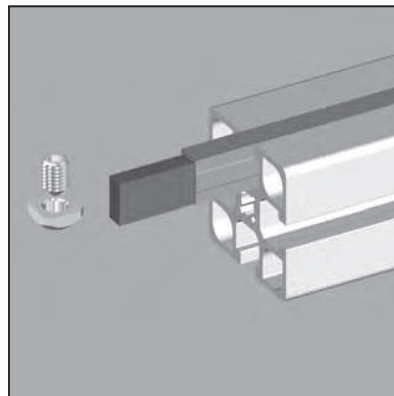
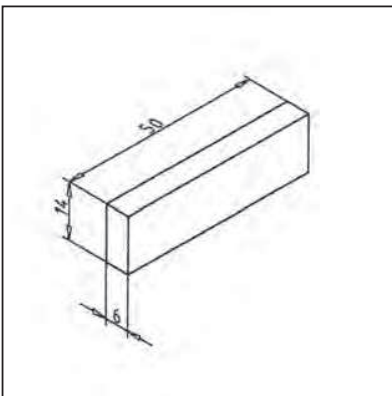
- Magnetic catch S, part no. 21.1740/0

ASSEMBLY

- Fasten on profile groove
- No drilling necessary

MAGNET 6 X 14 X 50

part no. 21.0032/0



TECHN. DATA / ITEMS SUPPLIED

- 1 magnet, zinc-plated
- Energy density BHmax= 263 kJ/m³
- Magnetic remanence, Br = 1170 mT
- Coercive force, JHc = 955 kA/m
- max. service temperature +120 °C
- Without fastening kit
- Weight 0,033 kg
- Attention: Electric- and memory devices can be faulted by the magnet

APPLICATIONS

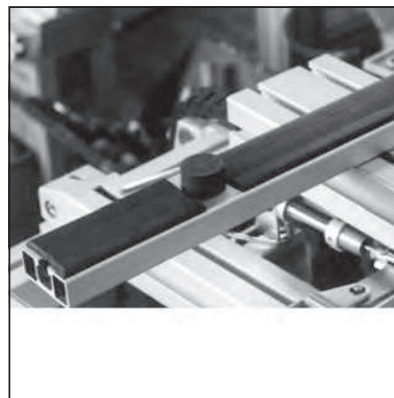
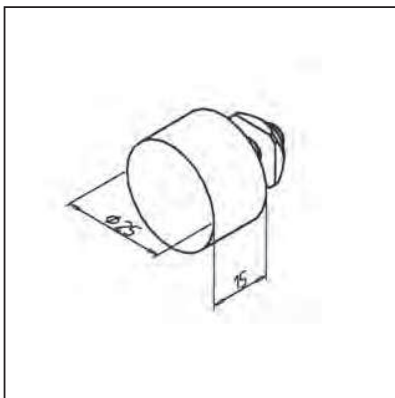
- Adhesive magnet for tools
- Below conveyors as guide, for magnetic transported material or higher conveyor speeds

ASSEMBLY

- Snap or slip the cover profile into profile groove
- Insert magnet into t-slot
- For fastening: (mighty recommended) Use end cap AL, set screw with square nut or t-slot bar

STOPPER 25

part no. 21.1759/0



TECHN. DATA / ITEMS SUPPLIED

- NBR, black
- Square nut M6, zinc plated
- Weight 0,020 kg

APPLICATIONS

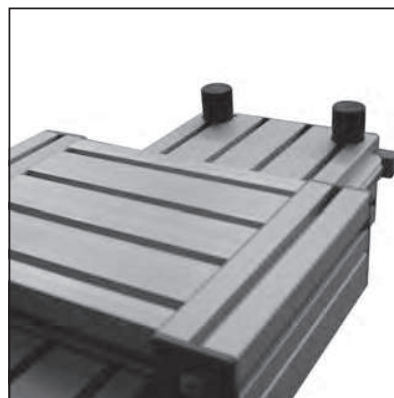
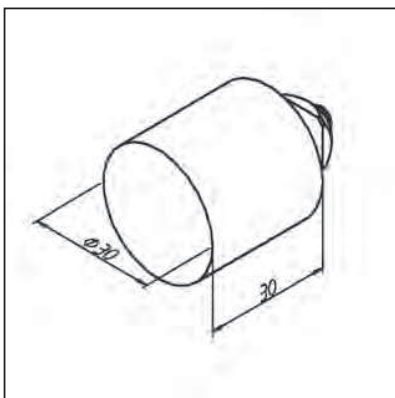
- Stop for doors, linear guides

ASSEMBLY

- Fix with square nut M6 in profile groove

STOPPER 30

part no. 21.1759/1



TECHN. DATA / ITEMS SUPPLIED

- NBR, black
- Square nut M8, zinc plated
- Weight 0,060 kg

APPLICATIONS

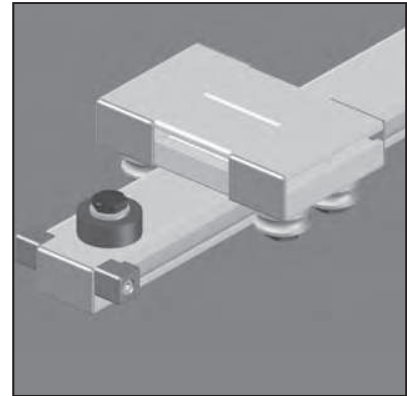
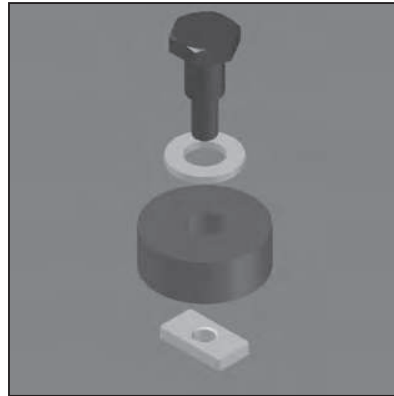
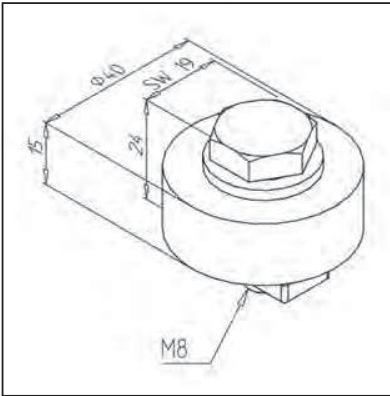
- Stop for heavy doors, linear guides

ASSEMBLY

- Fix with square nut M8 in profile groove

STOPPER 40

part no. 21.2301/0

**TECHN. DATA / ITEMS SUPPLIED**

- NBR, black	
- Square nut M8, zinc-plated	
- Weight	0,0553 kg

APPLICATIONS

- Stop for heavy doors, linear guides

ASSEMBLY

- Fix with square nut in profile groove and tighten stopper



Profilex
SYSTEMS

Profilex s.a.

6b, Z.I. In den Allern
L-9911 Troisvierges
Phone LU : +352 99 89 06
Phone BE : +32 28 88 16 29
Fax : +352 26 95 73 73

info@profilex-systems.com
www.profilex-systems.com