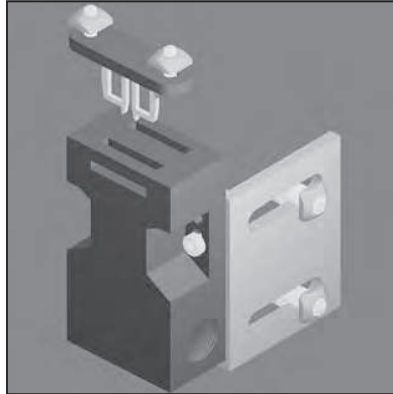
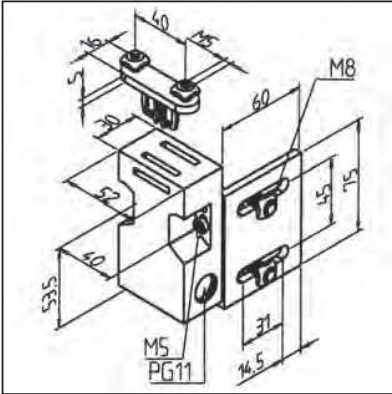


## SECURITY SWITCH AZ 16 ZVR K

part no. 21.1110/0



### TECHN. DATA / ITEMS SUPPLIED

- Security switch, complete with switching pad, type B1, standard, IP 67
- 1 normally closed, 1 normally open switch
- Force to engage 30 N
- Fastening angle, aluminium, natural anodized
- Fastening kit
- Weight 0,343 kg

### APPLICATIONS

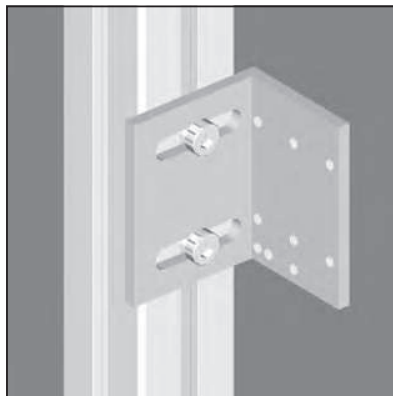
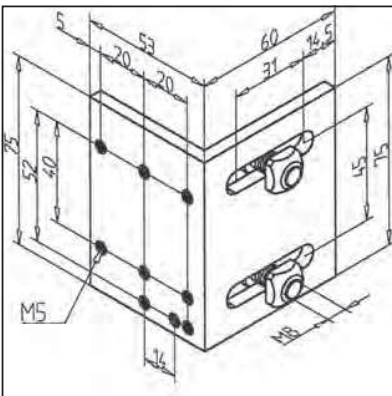
- Electrical securing of swing doors, sliding doors, windows
- Suitable for all profiles

### ASSEMBLY

- Use fastening kit
- Easy adjustment in x-, y- and z-axis by means of long holes in the angle-bracket
- For small radii use actuating bow B2 **part no. 21.1110/2** or B3 **part no. 21.1110/3**

## ANGLE-BRACKET FOR SECURITY SWITCH

part no. 21.1359/0



### TECHN. DATA / ITEMS SUPPLIED

- Aluminium, natural, anodized
- Fastening kit
- Weight 0,128 kg

### APPLICATIONS

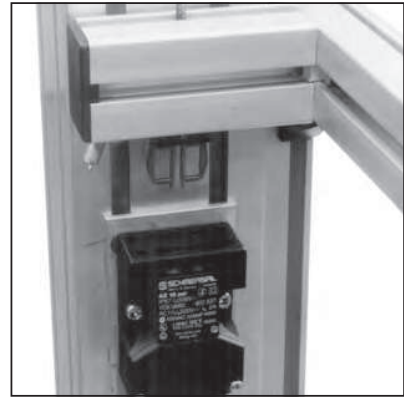
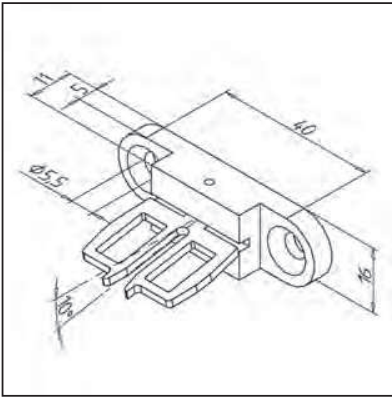
- For security switches DIN EN 50041
- Fitting to all standard types, facilitated adjustment of the switch in x-, y- and z-axis

### ASSEMBLY

- Fasten with fastening kit on profile groove

**ACTUATING BOW FOR SECURITY SWITCH B3**

part no. 21.1110/3

**TECHN. DATA / ITEMS SUPPLIED**

- Switching pad, type B3, for particularly small actuating radii over the small side of the bow

- Weight 0,032 kg

**APPLICATIONS**

- Actuating bow for small actuating radii in connection with security switch **part no. 21.1110/0** replaces standard bow

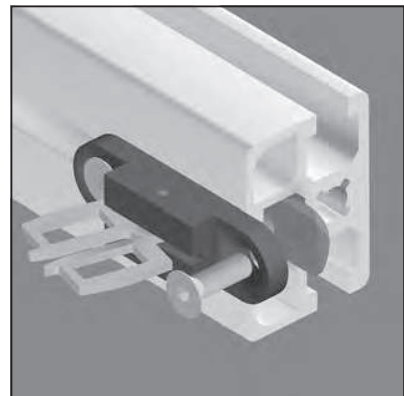
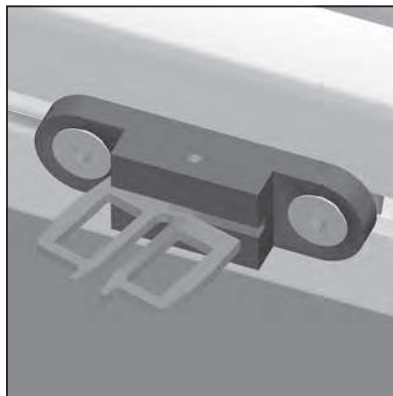
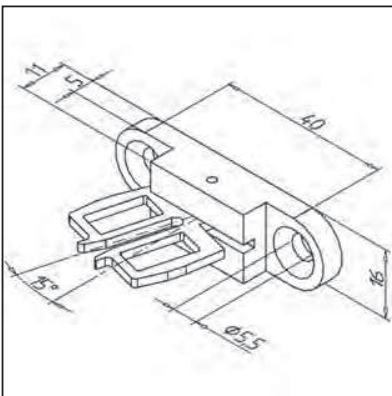
**ASSEMBLY**

- Fasten with fastening kit on profile groove

- Directly in panel element with countersunk screw M5 according to the material thickness

**ACTUATING BOW FOR SECURITY SWITCH B2**

part no. 21.1110/2

**TECHN. DATA / ITEMS SUPPLIED**

- Switching pad, type b2, for particularly small actuating radii over the broad side of the bow

- Weight 0,032 kg

**APPLICATIONS**

- Actuating bow for small actuating radii in connection with security switch **part no. 21.1110/0** replaces standard bow

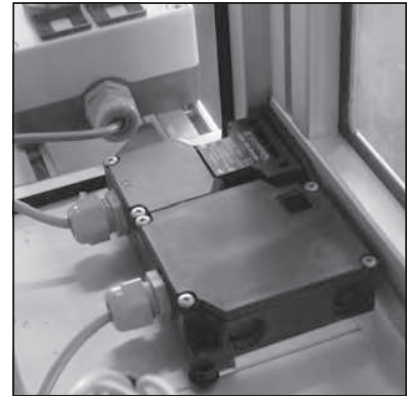
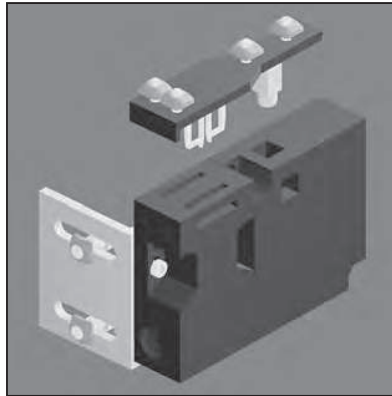
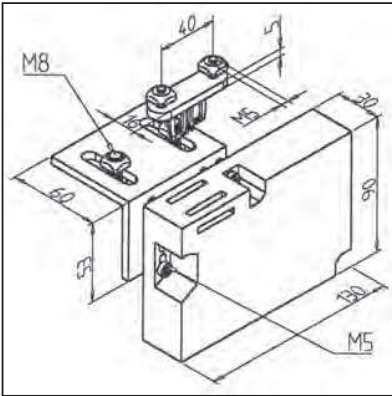
**ASSEMBLY**

- Fasten with fastening kit on profile groove

- Directly in panel element with countersunk screw M5 according to the material thickness

## SECURITY SWITCH WITH LOCK

part no. 21.1766/0



### TECHN. DATA / ITEMS SUPPLIED

- Switch, type AZM 161SK-12/12RK-024
- Housing thermoplast, black, self-extinguishing
- Protective system IP67, nominal operating current 10 A (230 V), driving voltage 24 V AC/DC, power consumption 10 W
- Fastening kit
- Optionally with actuating bow 110 V AC or 230 V AC
- Weight 0,475 kg

### APPLICATIONS

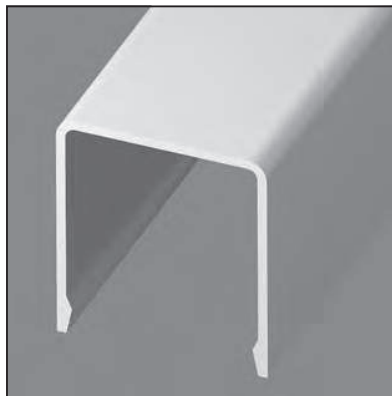
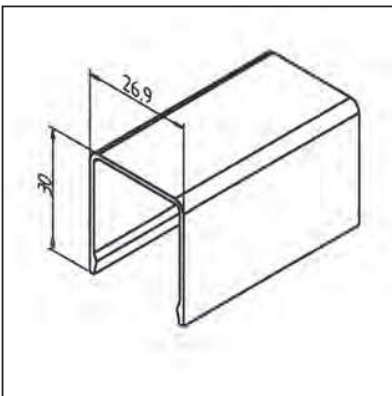
- Protective gears with high requirements to security

### ASSEMBLY

- Fasten with fastening kit on profile groove

## CONDUIT AL

part no. 20.1051/0



### TECHN. DATA / ITEMS SUPPLIED

- Aluminium, natural, anodized
- Weight 0,280 kg/m
- Length 6 m

### APPLICATIONS

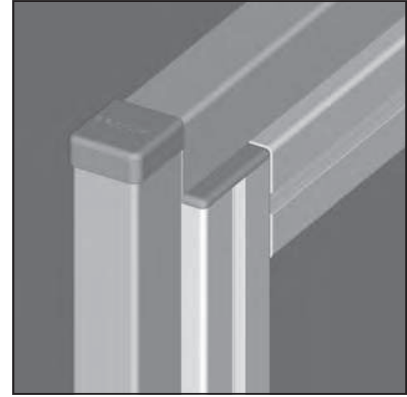
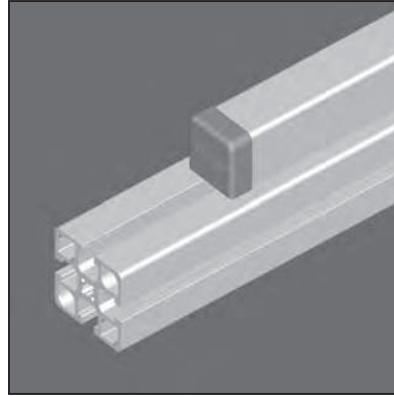
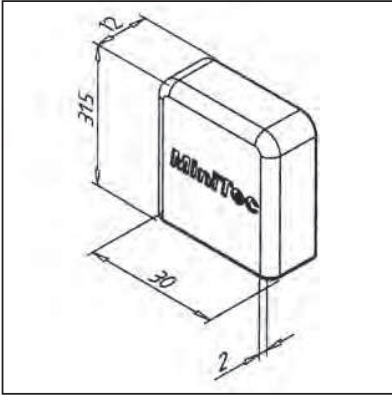
- Cover for cables and pneumatic hoses on all MiniTec aluminium profiles

### ASSEMBLY

- Clip on cable clips **part no.22.1204/0**

## END CAP CONDUIT AL

part no. 22.1119/1



### TECHN. DATA / ITEMS SUPPLIED

- ABS, grey RAL 7012

---

- Weight 0,004 kg

### APPLICATIONS

- End cap for conduit AL

---

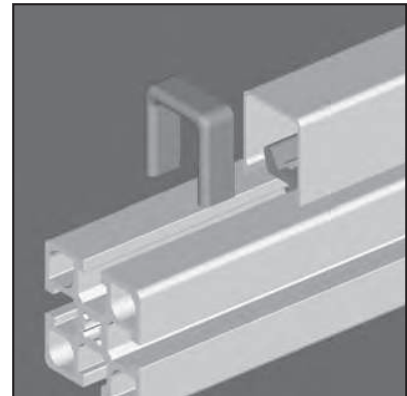
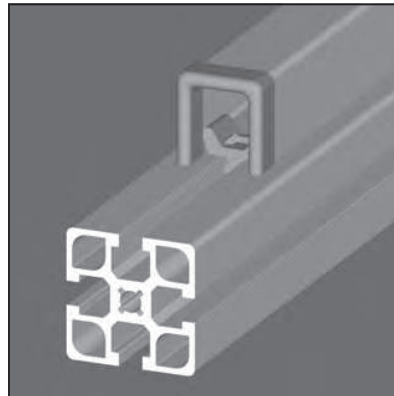
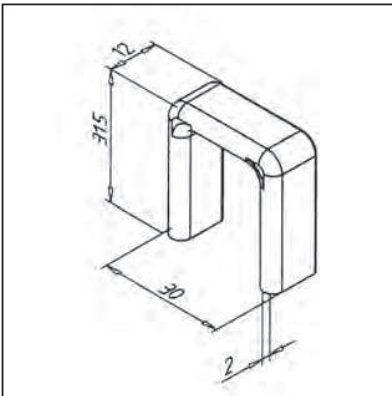
- Fabrication of external angle with conduit AL

### ASSEMBLY

- Simply push onto the end of the conduit

## EDGE PROTECTION FOR CONDUIT AL

part no. 22.1120/1



### TECHN. DATA / ITEMS SUPPLIED

- ABS, grey RAL 7012

---

- Weight 0,003 kg

### APPLICATIONS

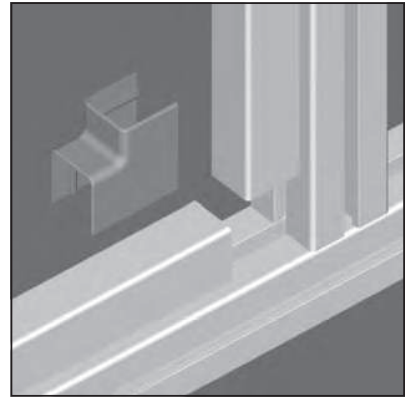
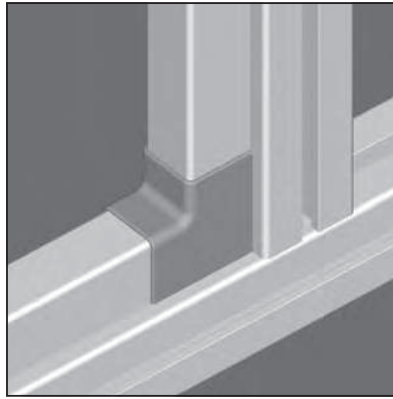
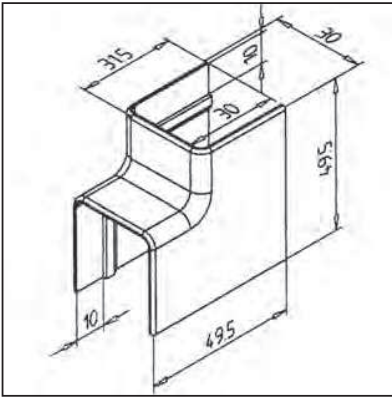
- Edge protection for conduit AL

### ASSEMBLY

- Simply push onto the end of the conduit

## INTERNAL ANGLE BRACKET OF CONDUIT AL

part no. 22.1121/1



### TECHN. DATA / ITEMS SUPPLIED

- ABS, grey RAL 7012
- Weight 0,01 kg

### APPLICATIONS

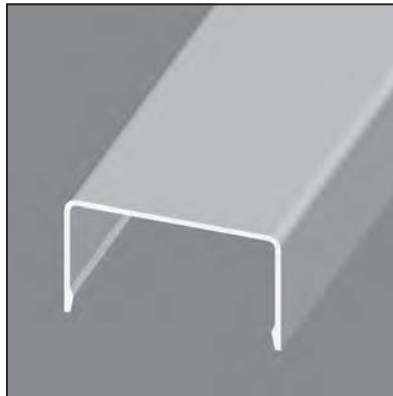
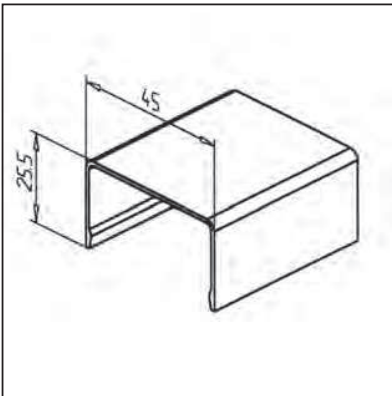
- Connection of conduit AL to internal angle bracket

### ASSEMBLY

- Click the first side of the conduit to collar clamps.
- Insert angle bracket
- Click on the second side of the cable duct and slide along as far as the stop

## CONDUIT 45 AL

part no. 20.1071/0



### TECHN. DATA / ITEMS SUPPLIED

- Aluminium, natural, anodized
- Weight 0,301 kg/m
- Length 6 m

### APPLICATIONS

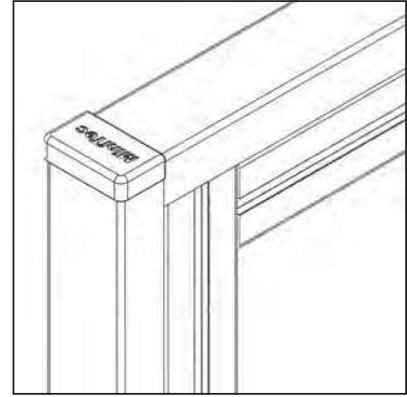
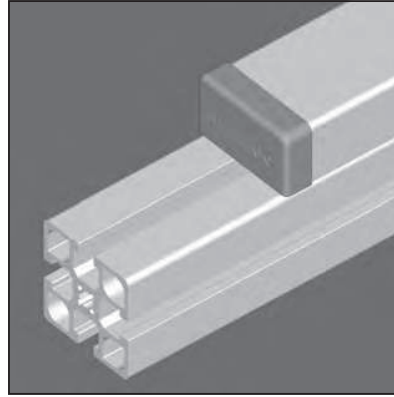
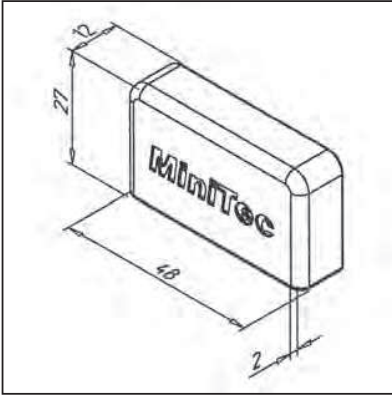
- Cover for cables and pneumatic hoses

### ASSEMBLY

- Clip on cable clips **part no. 22.1210/0**

## END CAP FOR CONDUIT 45 AL

part no. 22.1116/1



### TECHN. DATA / ITEMS SUPPLIED

- ABS, grey RAL 7012
- Weight 0,006 kg

### APPLICATIONS

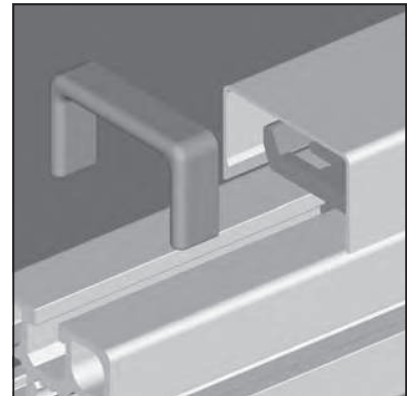
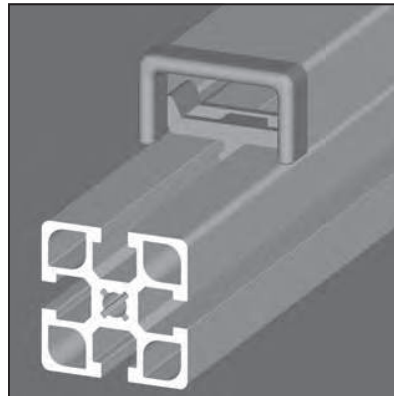
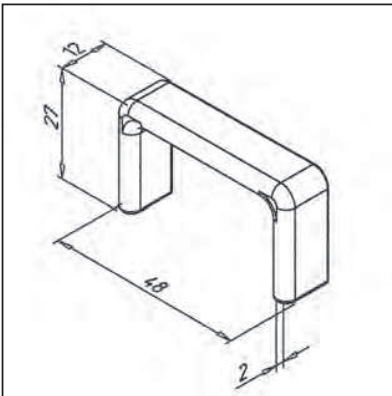
- End cap for conduit 45 AL
- Construction of corners on outside face

### ASSEMBLY

- Clip onto end of conduit 45

## EDGE PROTECTION FOR CONDUIT 45 AL

part no. 22.1117/1



### TECHN. DATA / ITEMS SUPPLIED

- ABS, grey RAL 7012
- Weight 0,005 kg

### APPLICATIONS

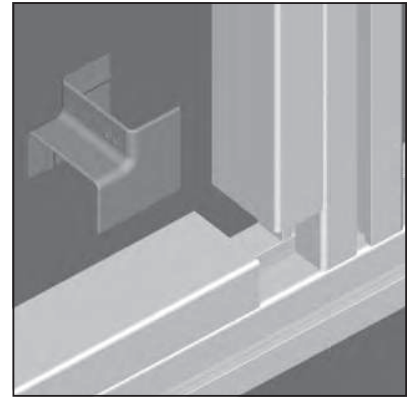
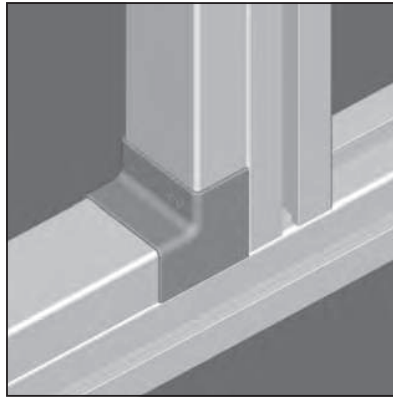
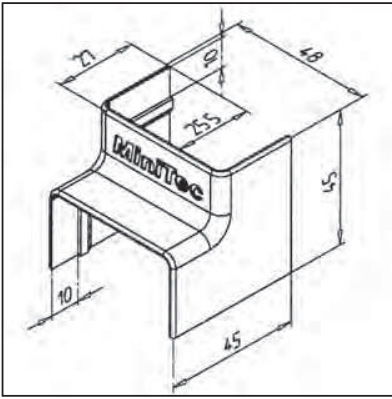
- Edge protection for conduit 45 AL

### ASSEMBLY

- Clip onto end of conduit 45 AL

## INTERNAL ANGLE FOR CONDUIT 45 AL

part no. 22.1118/1



### TECHN. DATA / ITEMS SUPPLIED

- ABS, grey RAL 7012

---

- Weight 0,010 kg

### APPLICATIONS

- Connection of conduit 45 AL to internal angle

### ASSEMBLY

- Clip conduit 1 onto cable clips. Distance for the edge 36 mm

---

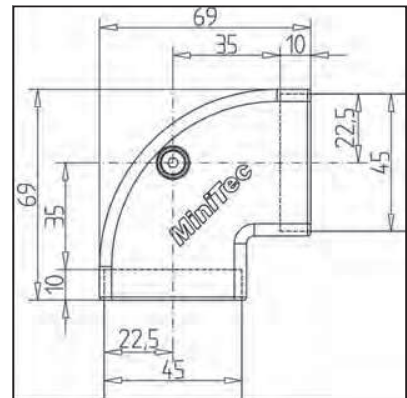
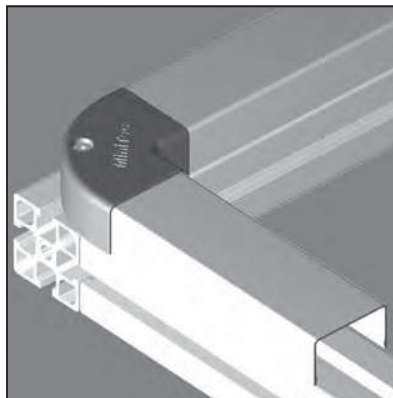
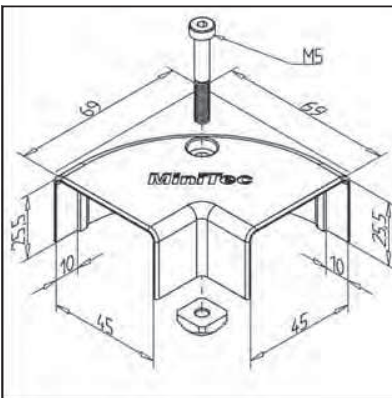
- Insert the angle

---

- Clip on conduit 2 and push to tight fit

## ANGLE BRACKET 90° FOR CABLE CONDUIT 45

part no. 22.1156/0



### TECHN. DATA / ITEMS SUPPLIED

- ABS, grey RAL 7012

---

- Fastening kit

---

- Weight 0,026 kg

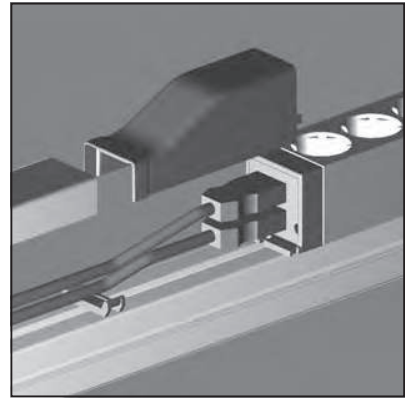
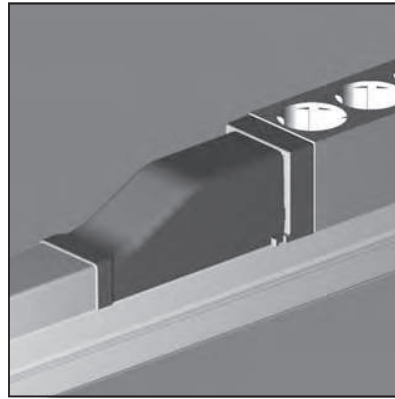
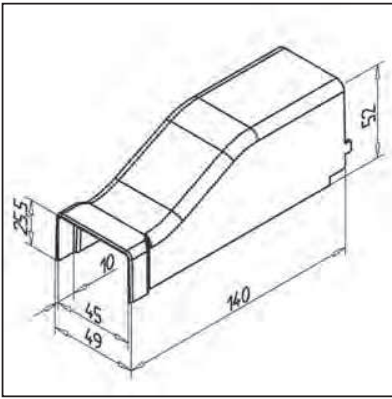
### APPLICATIONS

- Connection of cable conduit 45

### ASSEMBLY

- Push both ends of conduit 45, tighten screw

**ADAPTER CAP FOR CONNECTOR STRIP FOR CABLE CONDUIT 45** part no. 22.1154/1



**TECHN. DATA / ITEMS SUPPLIED**

- ABS, grey RAL 7012

---

- Weight 0,034 kg

**APPLICATIONS**

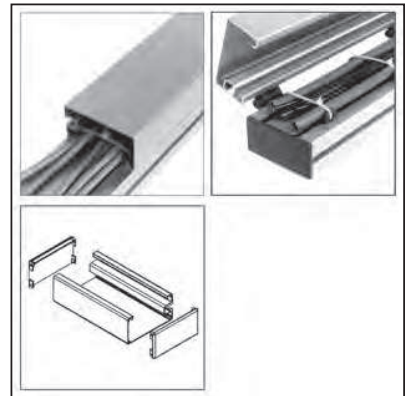
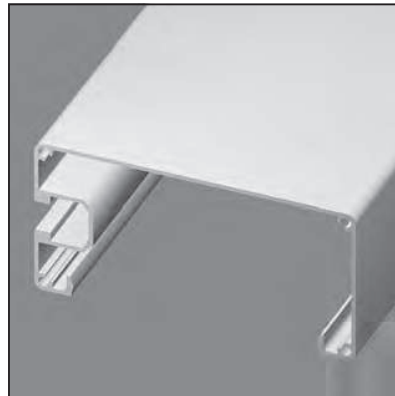
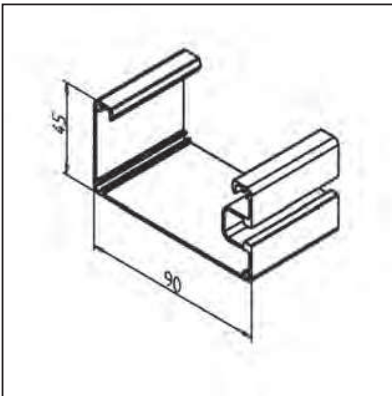
- Cover of cable conduit 45

**ASSEMBLY**

- Clip onto cable conduit 45

**CONDUIT 90 AL**

part no. 20.1056/0



**TECHN. DATA / ITEMS SUPPLIED**

- Aluminium, natural, anodized

---

- Weight 0,970 kg/m

---

- Length 6 m

**APPLICATIONS**

- Cover for cables and pneumatic hoses

---

- Suitable for MiniTec profiles, grid dimension: 90

---

- Can also be swung open, when used with hinges

---

- End ledges with integrated energy supply

**ASSEMBLY**

- Clip on cable clips **part no. 22.1204/0**

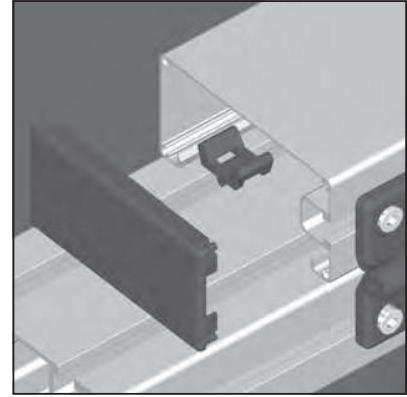
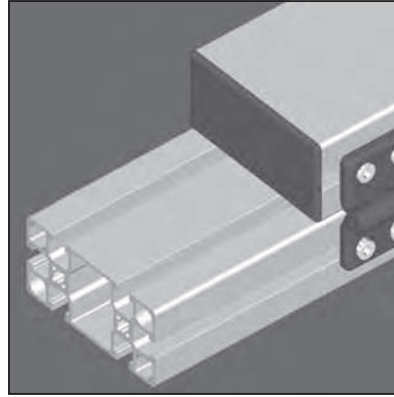
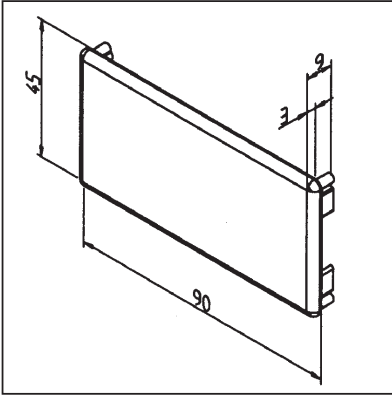
---

- End caps **part no. 22.1045/0**



## END CAP FOR CONDUIT 90 AL

part no. 22.1045/0



### TECHN. DATA / ITEMS SUPPLIED

- ABS, grey RAL 7012
- Weight 0,011 kg

### APPLICATIONS

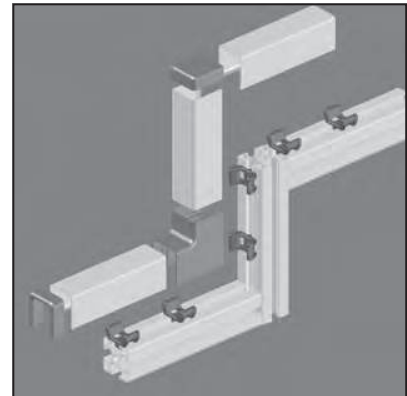
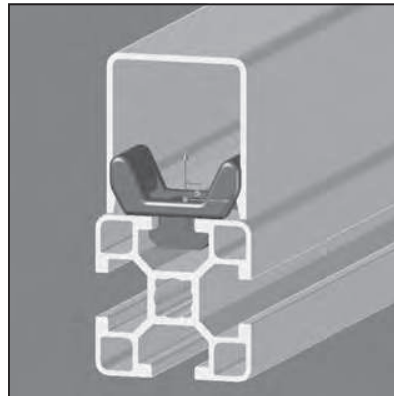
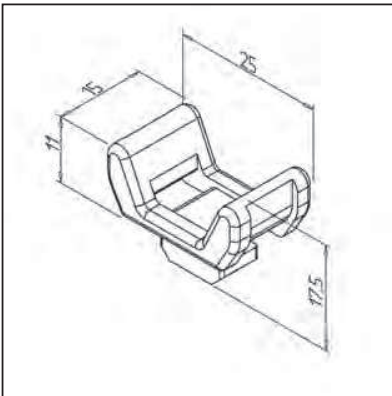
- End cover for conduit 90
- Constructions of corners on outside face

### ASSEMBLY

- Clip onto end of conduit 90

## CABLE CLIP 30

part no. 22.1212/0



### TECHN. DATA / ITEMS SUPPLIED

- PA 6, grey
- Weight 0,002 kg

### APPLICATIONS

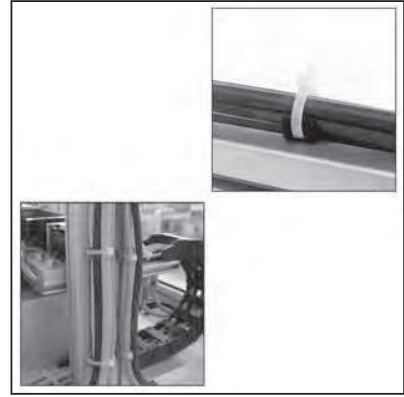
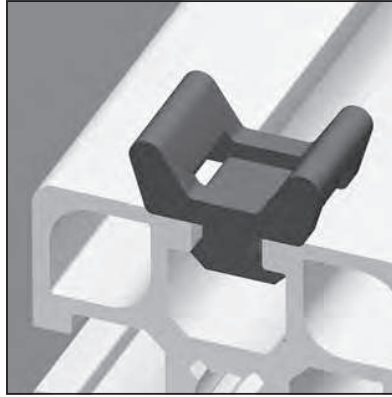
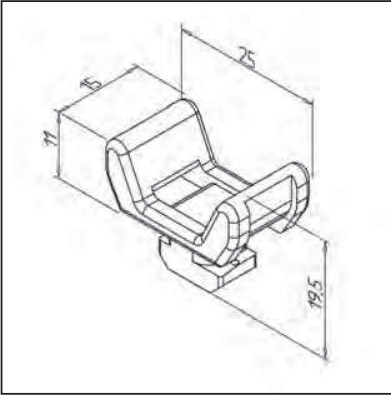
- Simple and rational fastening of cables and pneumatic hoses
- Suitable for conduit AL

### ASSEMBLY

- Insert into profile groove and secure it with a 90° rotation
- Insert cable tie band through the cable clip and around the cable. Bind together, cut off any excessive length

## CABLE CLIP

part no. 22.1204/0



### TECHN. DATA / ITEMS SUPPLIED

- PA 6, grey

---

- Weight 0,002 kg

### APPLICATIONS

- Simple and rational fastening of cables and pneumatic hoses

---

- Suitable for conduit 45 AL and conduit 90 AL

### ASSEMBLY

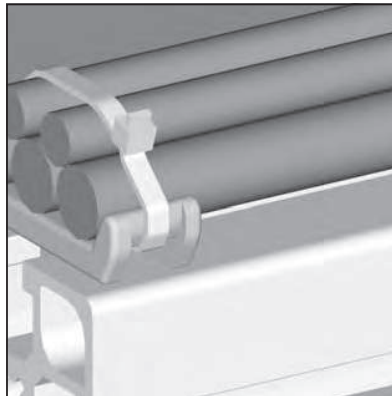
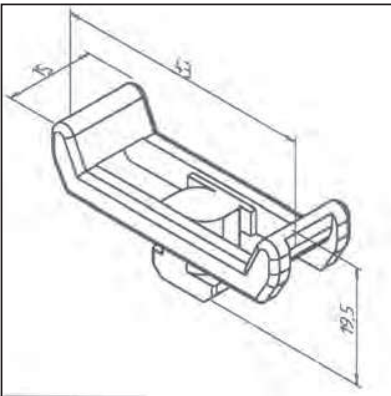
- Insert into profile groove and secure it with a 90° rotation

---

- Insert cable tie band through the cable clip and around the cable. Bind together, cut off any excessive length

## CABLE CLIP 45

part no. 22.1210/0



### TECHN. DATA / ITEMS SUPPLIED

- PA 6, grey

---

- Weight 0,004 kg

### APPLICATIONS

- Simple and rational fastening of cables and pneumatic hoses

---

- Suitable for conduit 45 AL

### ASSEMBLY

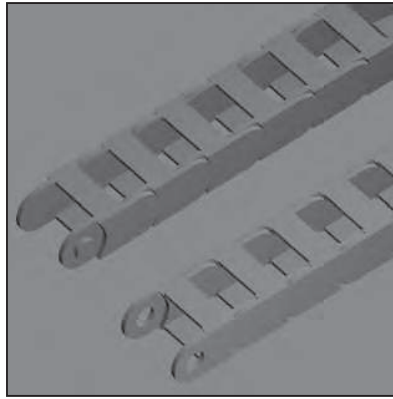
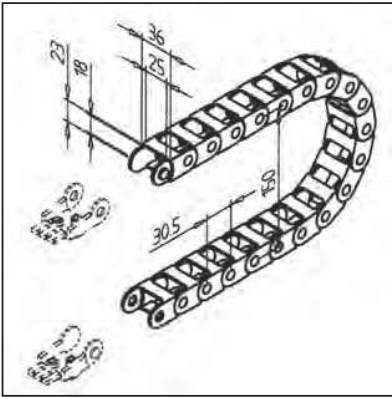
- Insert into profile groove and secure it with a 90° rotation

---

- Insert cable tie band through the cable clip and around the cable. Bind together, cut off any excessive length

## ENERGY CHAIN R

part no. 33.0410/0



### TECHN. DATA / ITEMS SUPPLIED

- Plastic, black
- Without fastening kit
- Weight 0,341 kg

### APPLICATIONS

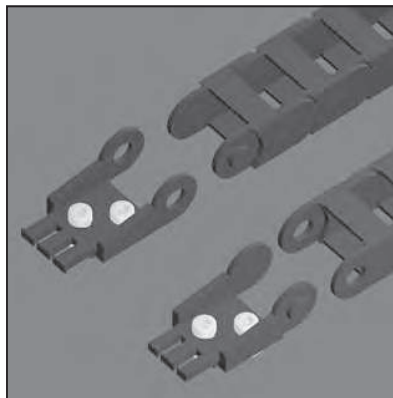
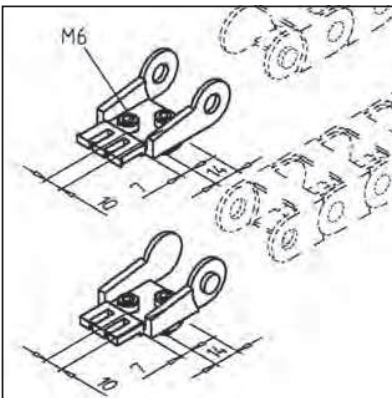
- Energy chain to bind cables and hoses on slides and movable elements
- Suitably profile 45 x 45 R  
**part no. 20.1046/0 44**

### ASSEMBLY

- Fastening of the energy chain by means of mounting brackets **part no. 33.0411/0**

## MOUNTING BRACKETS FOR ENERGY CHAIN R

part no. 33.0411/0



### TECHN. DATA / ITEMS SUPPLIED

- 1 bracket each left or right
- Plastic, schwarz
- Fastening kit
- Weight 0,058 kg

### APPLICATIONS

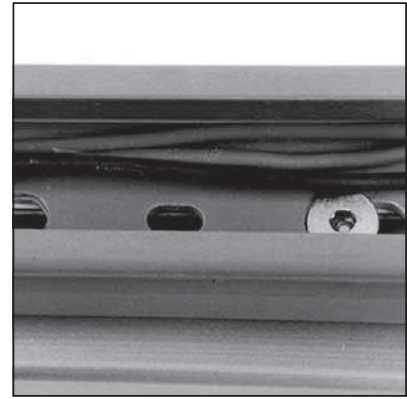
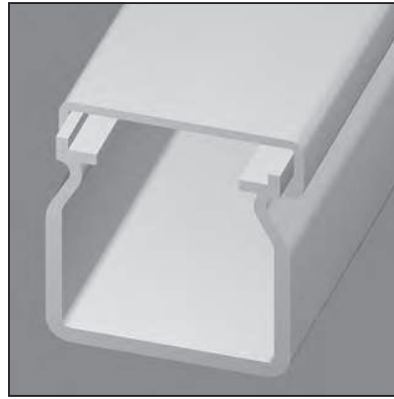
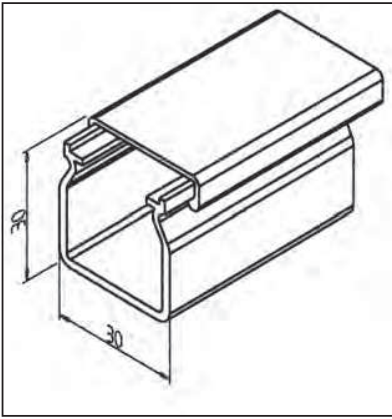
- For fastening energy chain R **part no. 33.0410/0** on profile constructions

### ASSEMBLY

- Use fastening kit
- Use cable tie band to fix cables and hoses

**CONDUIT 32**

part no. 22.1082/0

**TECHN. DATA / ITEMS SUPPLIED**

- Hard PVC, grey	
- Snap-cover	
- Cross-section: 660 mm <sup>2</sup>	
- Weight	0,323 kg/m
- Length	2 m

**APPLICATIONS**

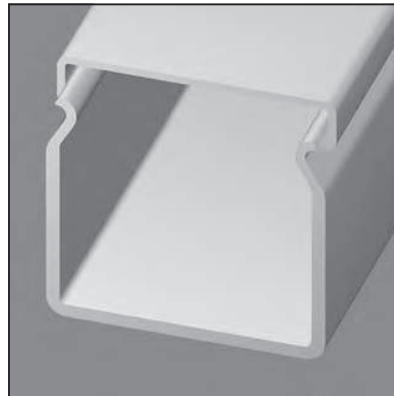
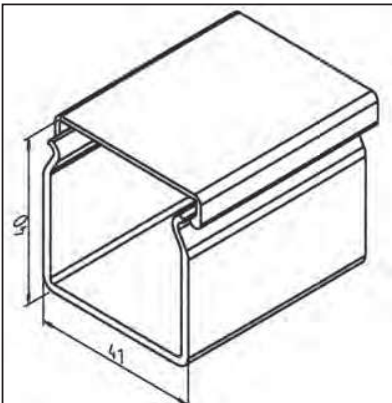
- Assembly of cables or tubings in all kinds of constructions

**ASSEMBLY**

- Fastening with screws M6 x 12 and rhombus-nut M6

**CONDUIT 45**

part no. 22.1084/0

**TECHN. DATA / ITEMS SUPPLIED**

- Hard PVC, grey	
- Snap-cover	
- Cross-section: 1584 mm <sup>2</sup>	
- Weight	0,523 kg/m
- Length	2 m

**APPLICATIONS**

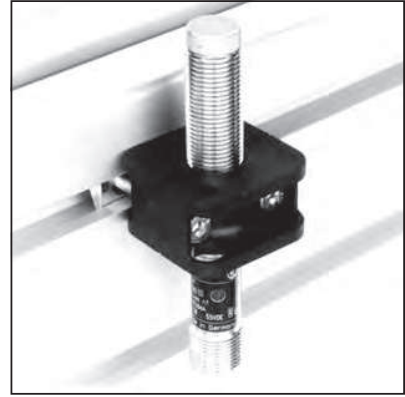
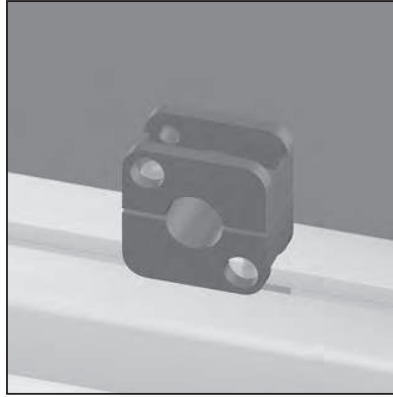
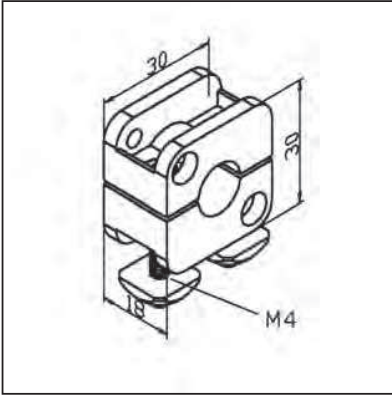
- Assembly of cables or tubings in all kinds of constructions

**ASSEMBLY**

- Fastening with screws M6 x 12 and rhombus-nut M6

## PROXIMITY SWITCH HOLDER 12

part no. 28.0120/0



### TECHN. DATA / ITEMS SUPPLIED

- Hard plastic, black
- Ø 12 mm
- Fastening kit
- Weight 0,040 kg

### APPLICATIONS

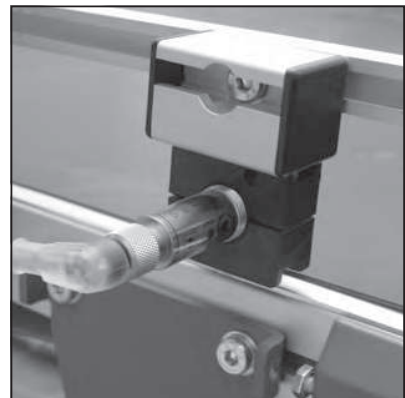
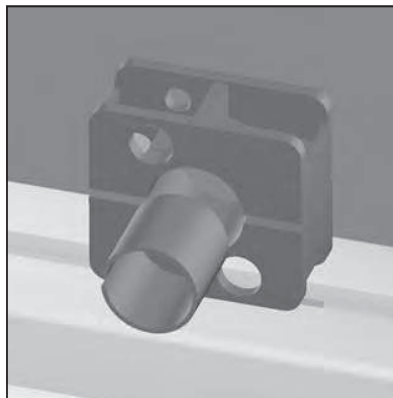
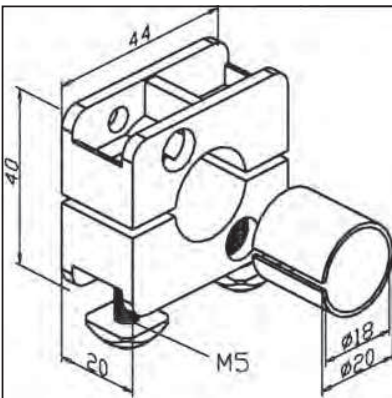
- Fastening of proximity switches Ø 12 mm in profile constructions and linear guides

### ASSEMBLY

- On profile groove with fastening kit from supply schedule

## PROXIMITY SWITCH HOLDER 18

part no. 28.0121/0



### TECHN. DATA / ITEMS SUPPLIED

- Hard plastic, black
- Ø 18 mm
- Ø 20 mm
- Fastening kit
- Weight 0,050 kg

### APPLICATIONS

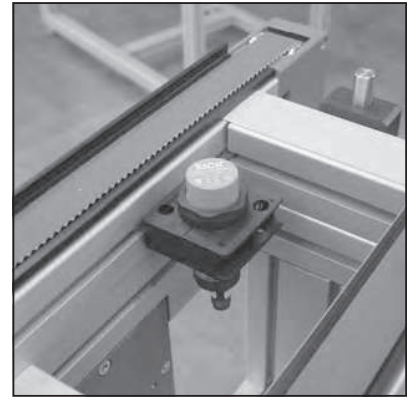
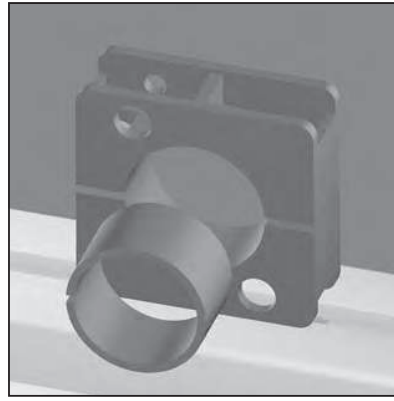
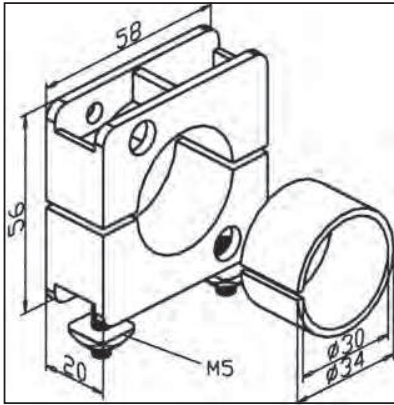
- Fastening of proximity switches Ø 18 mm and Ø 20 mm in profile constructions and linear guides

### ASSEMBLY

- On profile groove with fastening kit from supply schedule

**PROXIMITY SWITCH HOLDER 30**

part no. 28.0122/0

**TECHN. DATA / ITEMS SUPPLIED**

- Hard plastic, black
- Ø 30 mm
- Ø 34 mm
- Fastening kit
- Weight 0,060 kg

**APPLICATIONS**

- Fastening of proximity switches Ø 30 mm and Ø 34 mm in profile constructions and linear guides

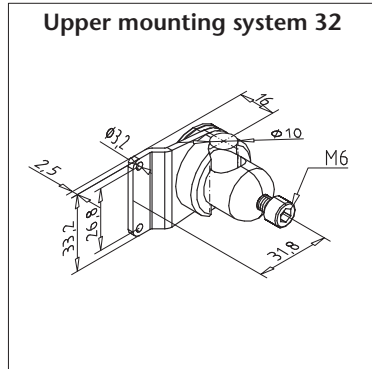
**ASSEMBLY**

- On profile groove with fastening kit from supply schedule

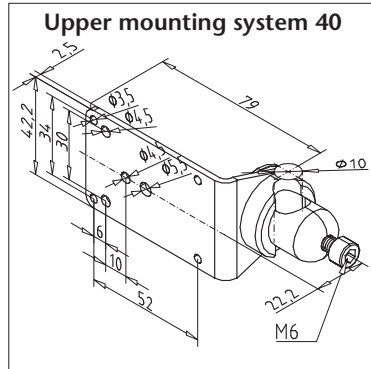
## SENSOR HOLDERS

ALL LATERAL HOLDERS CAN BE COMBINED WITH ALL CARRIERS

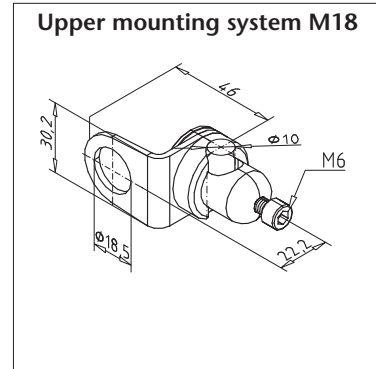
### Carriers



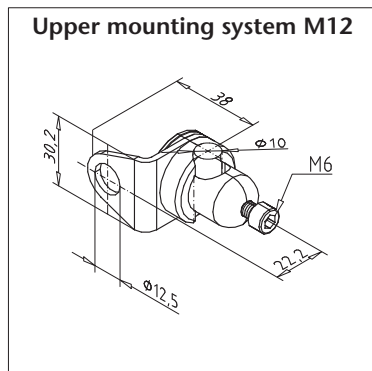
part no. E1.0055/0



part no. E1.0070/0

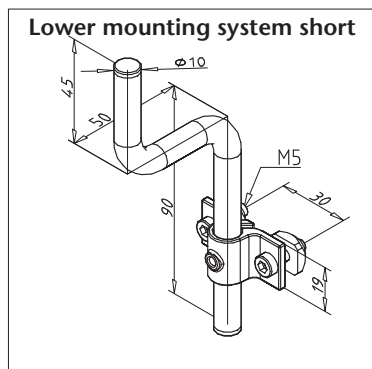


part no. E1.0068/0

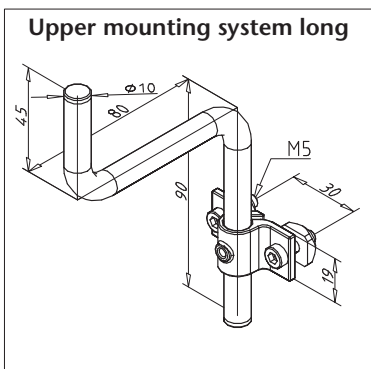


part no. E1.0069/0

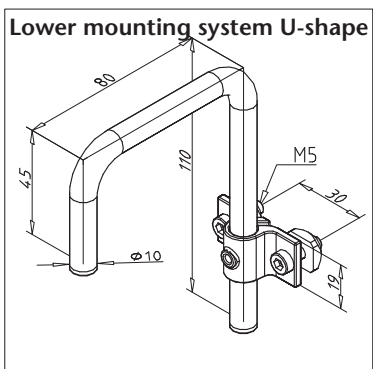
### Lateral holders



part no. 29.5046/2



part no. 29.5047/2



part no. 29.5048/2



**Profilex s.a.**  
 6b, Z.I. In den Allern  
 L-9911 Troisvierges  
 Phone LU : +352 99 89 06  
 Phone BE : +32 28 88 16 29  
 Fax : +352 26 95 73 73  
[info@profilex-systems.com](mailto:info@profilex-systems.com)  
[www.profilex-systems.com](http://www.profilex-systems.com)